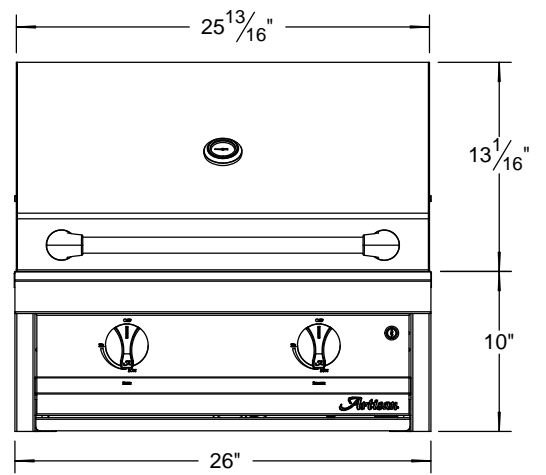
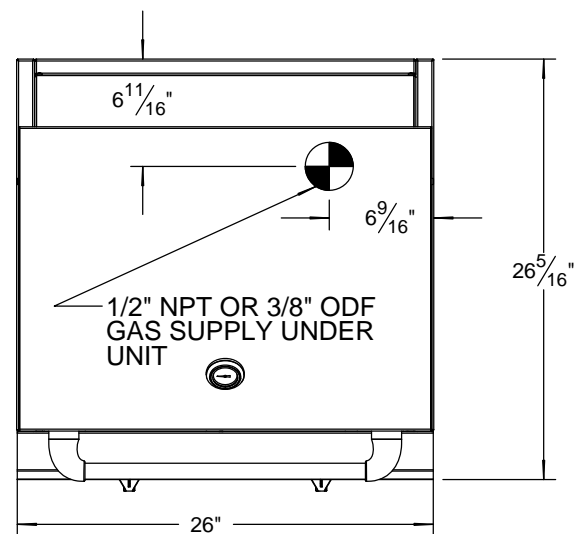
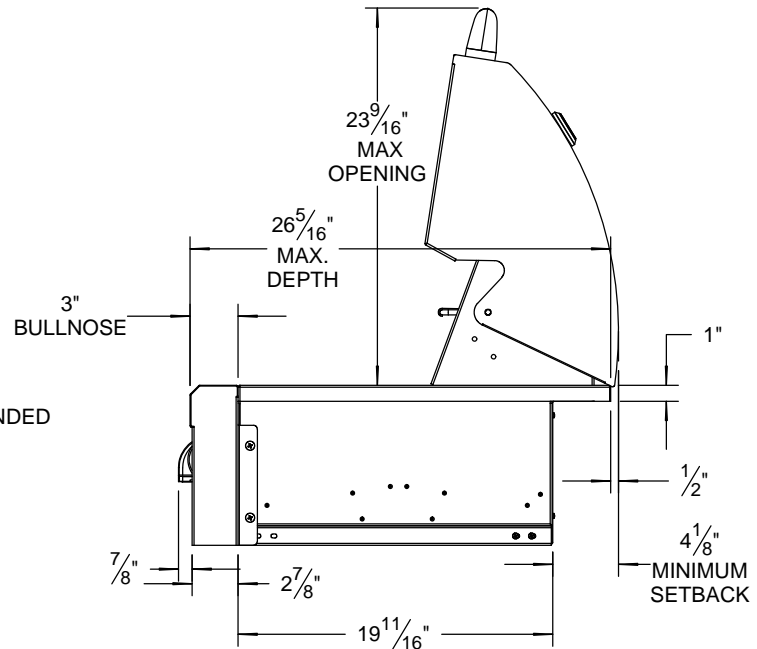
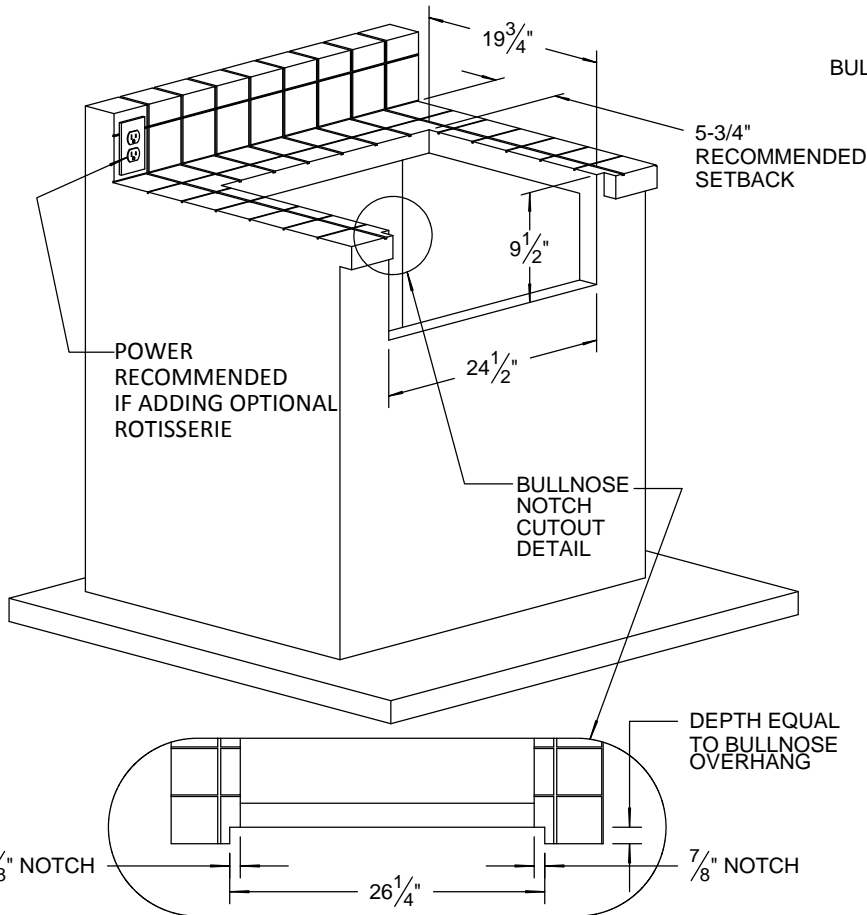


TYPICAL AAEP-26 INSTALLATION



COUNTERTOP CUTOUT REQUIREMENTS



SPECIFICATIONS:

BTUH = 40,000
 FUEL NG @ 5: W.C. / LP @ 10" W.C.
 ELECTRICAL POWER: 9 VDC IGNITION SYSTEM.
 GAS CONNECTION: 1/2" NPT (NG) OR 3/8" ODF (LP)

NOTE:

COUNTER MUST HAVE THE PROPER GAS SUPPLY FOR YOUR ARTISAN BBQ.

Artisan

THE INFORMATION CONTAINED IN THIS DRAWING IS THE SOLE PROPERTY OF SUPERIOR EQUIPMENT SOLUTIONS INC. ANY REPRODUCTION IN PART OR AS A WHOLE WITHOUT WRITTEN PERMISSION FROM SUPERIOR EQUIPMENT SOLUTIONS, INC. IS PROHIBITED.

PROJECT TITLE:
ARTISAN GRILLS

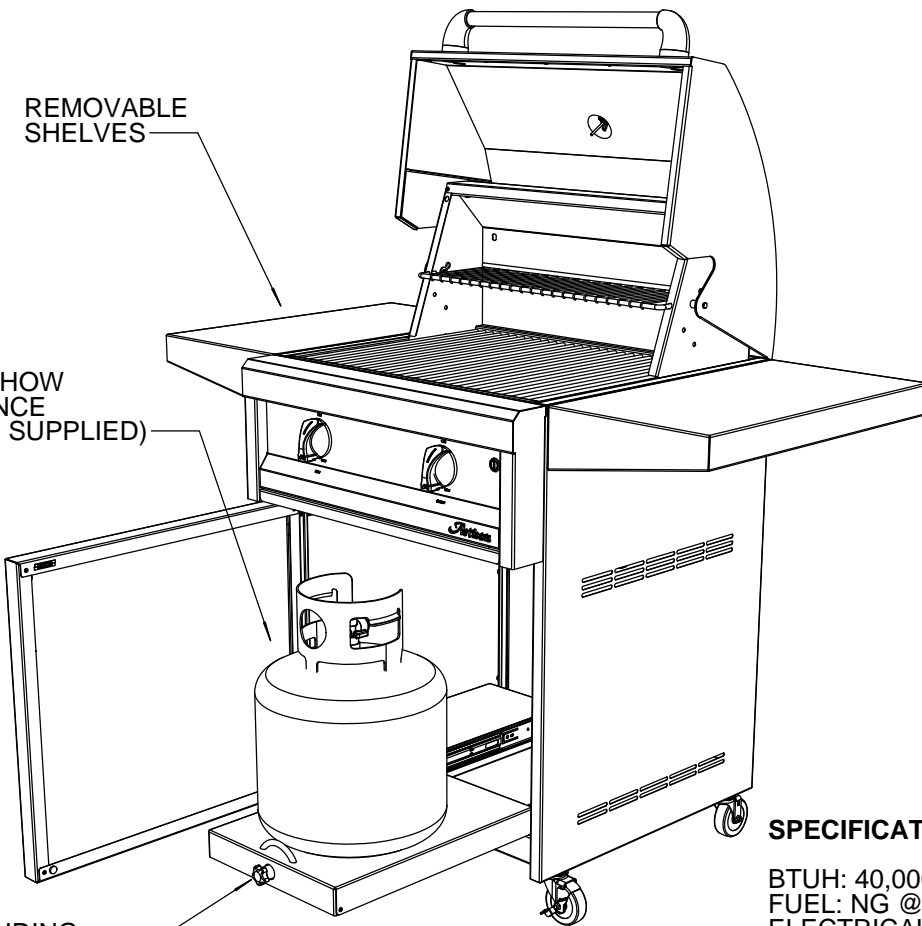
DRAWING NO.:
AAEP-26 SPEC SHEET

DRAWN BY: Jorge Pelayo
 CREATED: Monday, March 07, 2016

DRAWING TITLE:
AAEP-26 SPECIFICATIONS

REMOVABLE
SHELVES

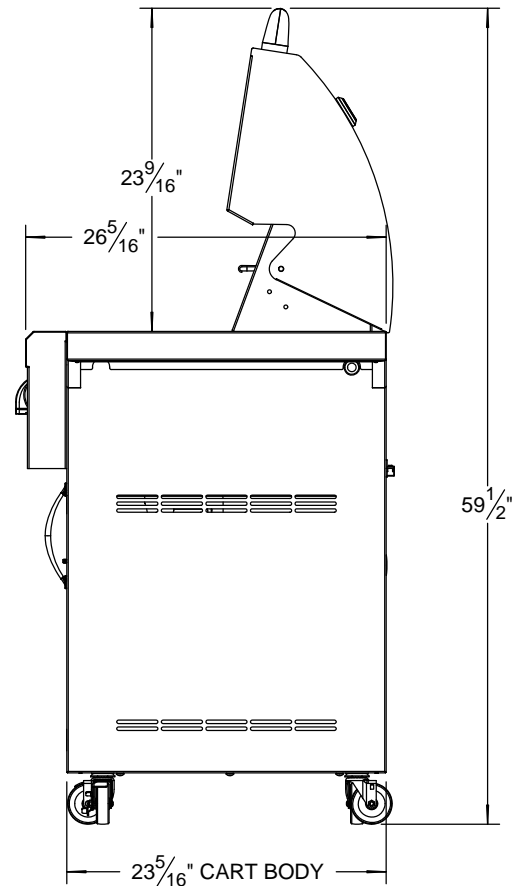
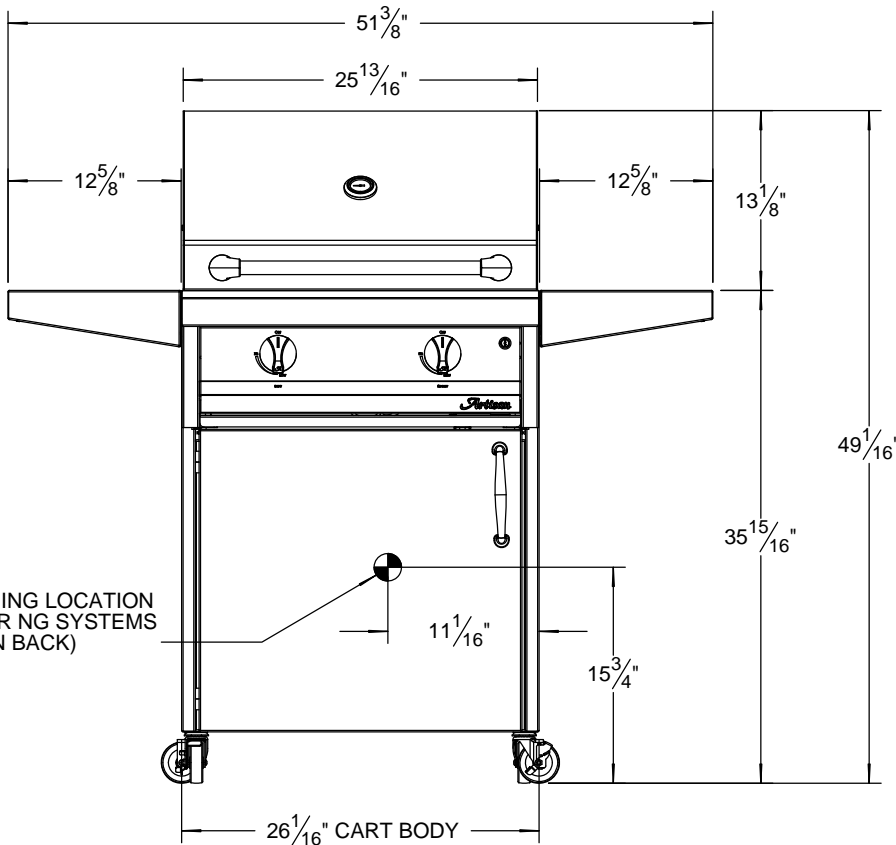
GAS TANK SHOW
AS REFERENCE
(CUSTOMER SUPPLIED)



GAS TANK SLIDING
SHELF INCLUDED

SPECIFICATIONS:

BTUH: 40,000
 FUEL: NG @ 5 W.C. OR LP @ 10 W.C.
 ELECTRICAL POWER: 9 VDC IGNITION SYSTEM
 GAS CONNECTION: 1/2" NPT (NG) OR 3/8" ODF (LP)



Artisan

THE INFORMATION CONTAINED IN THIS DRAWING IS THE SOLE PROPERTY OF SUPERIOR EQUIPMENT SOLUTIONS INC. ANY REPRODUCTION IN PART OR AS A WHOLE WITHOUT WRITTEN PERMISSION FROM SUPERIOR EQUIPMENT SOLUTIONS, INC. IS PROHIBITED.

PROJECT TITLE:
ARTISAN GRILLS

DRAWING NO.:
AAEP-26C SPEC SHEET

DRAWN BY: JORGE PELAYO
CREATED: Wednesday, March 09, 2016

DRAWING TITLE: