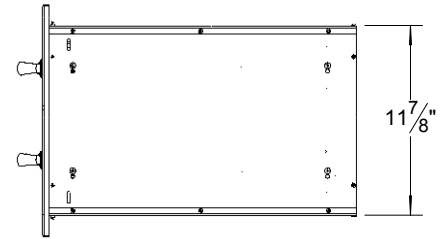
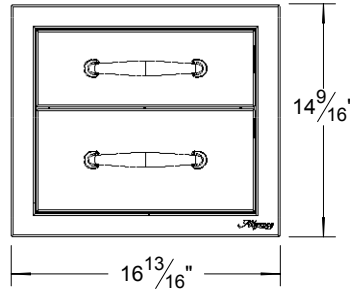
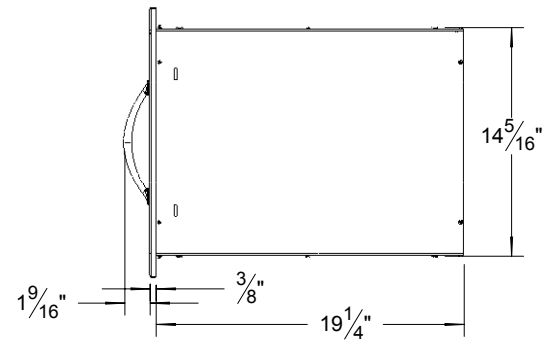
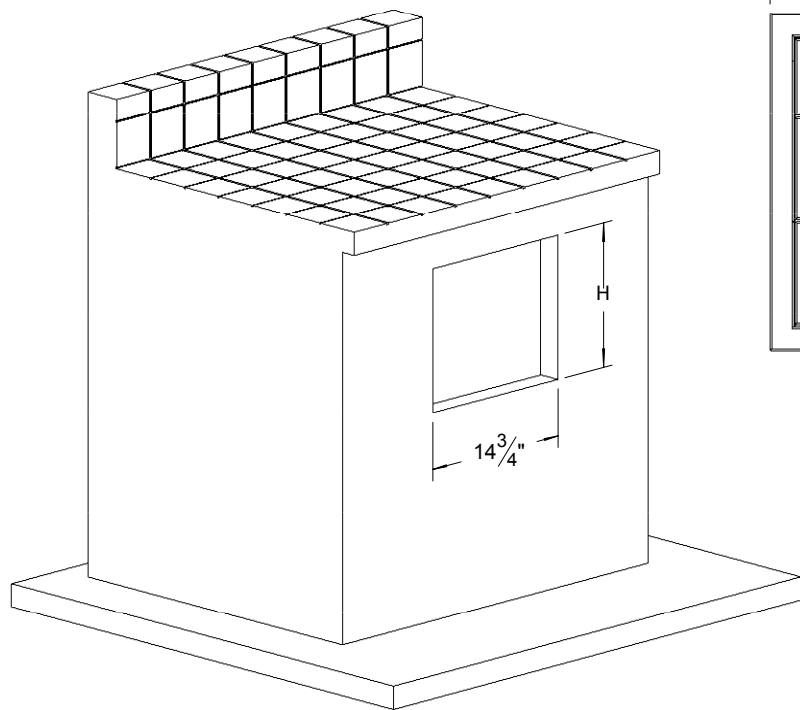


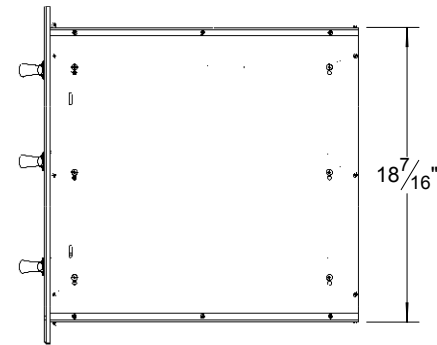
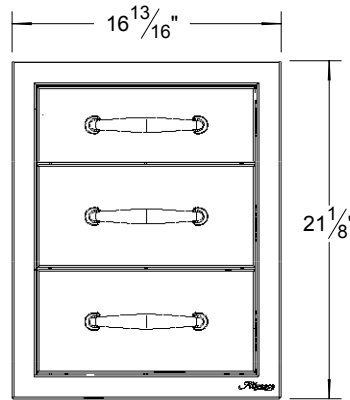
AB-2DR



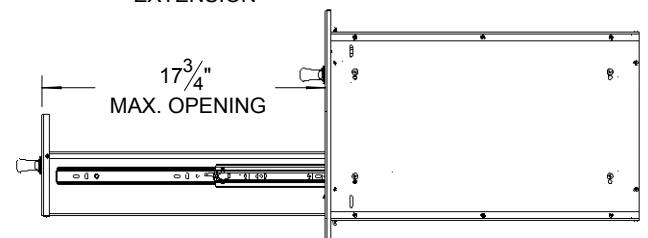
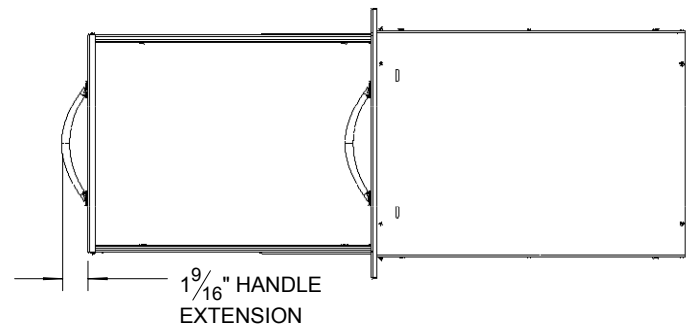
COUNTER FRONT CUTOUT REQUIREMENTS



AB-3DR



TYPICAL DRAWER EXTENSION BOTH MODELS:



CUTOUT HEIGHT DIMENSION (H):

- AB-2DR = 12-1/2"
- AB-3DR = 19-1/4"