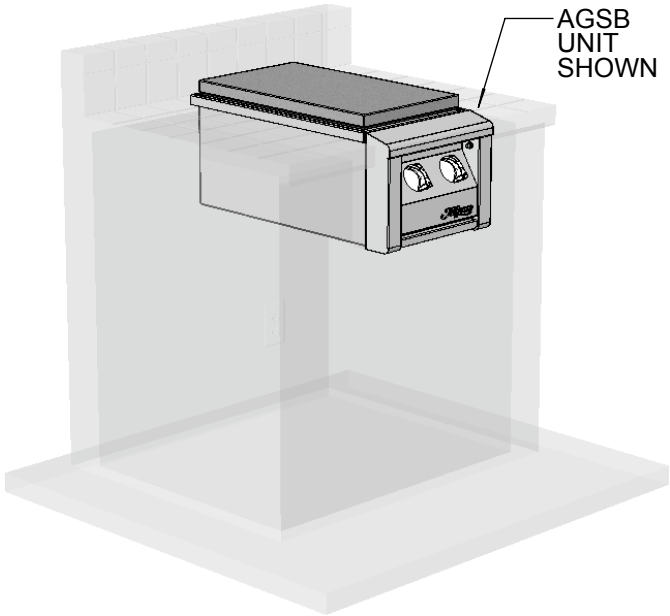
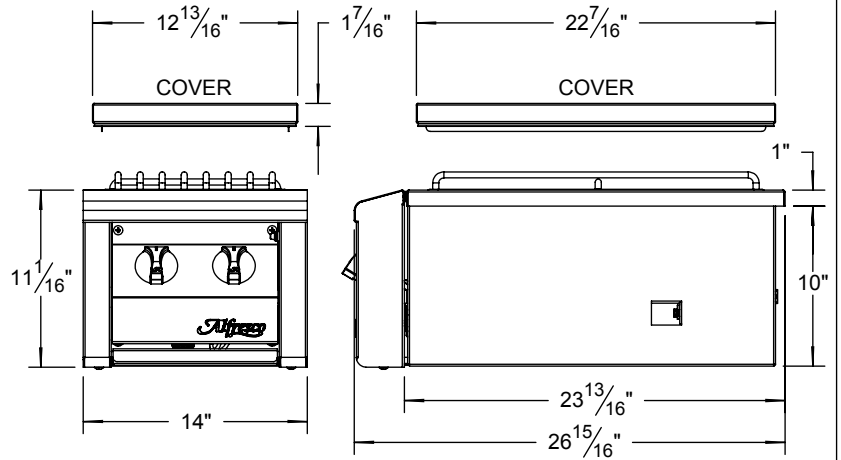


AGSB UNIT SHOWN



AGSB TYPICAL INSTALLATION

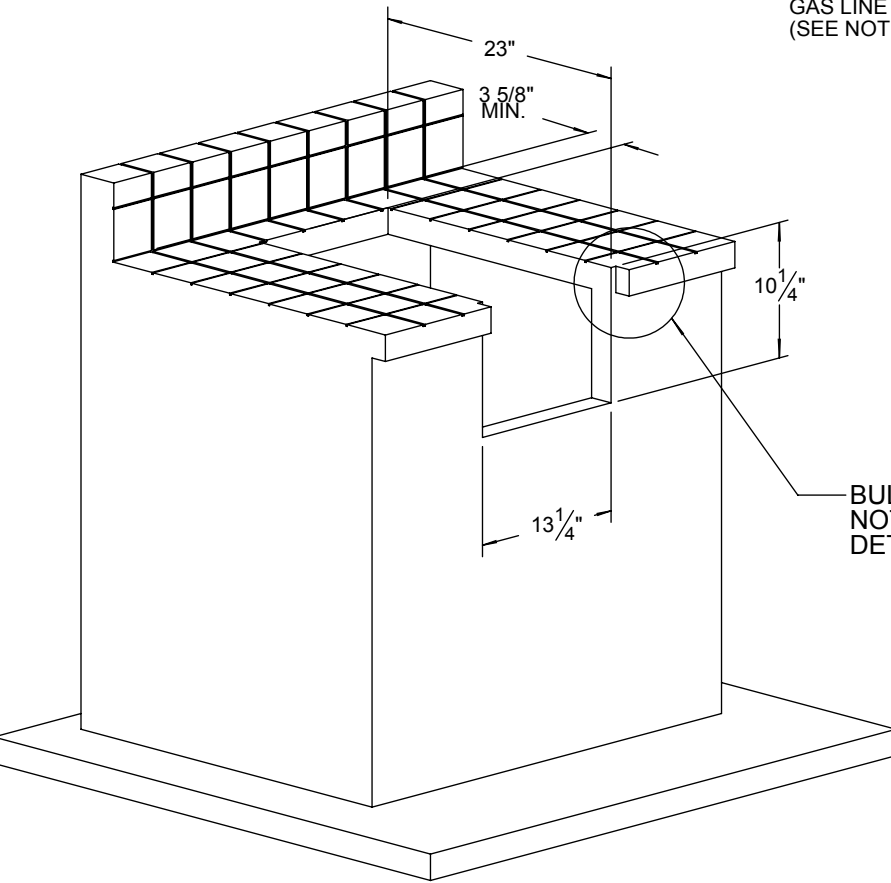
AGSB - DUAL SIDE BURNER



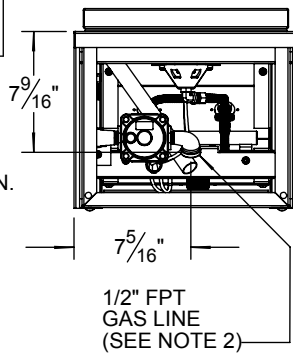
COUNTERTOP CUTOUT REQUIREMENTS

NOTE 1: A GAS LINE IS REQUIRED INSIDE THE COUNTER FOR OPERATION.

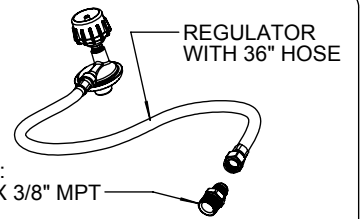
IT IS RECOMMENDED THAT A FLEXIBLE GAS LINE IS USED TO EASE INSTALLATION IN NATURAL GAS (NG) SETUPS. (SEE NOTE 2 IN REGARDS TO LP GAS SETUPS)



BACK VIEW



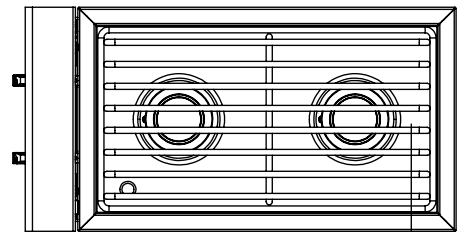
LP GAS SETUP:



NOTE 2: STANDARD UNIT HAS A NATURAL GAS (NG) CONNECTION WITH 1/2" FPT FITTING.

IF LIQUID PROPANE (LP) OPTION IS ORDERED THE UNIT IS SUPPLIED WITH A REGULATOR, HOSE AND ADAPTER FITTING AS SHOWN.

TOP VIEW



$2\frac{13}{16}$ " GASLINE CONNECTION SETBACK LOC.