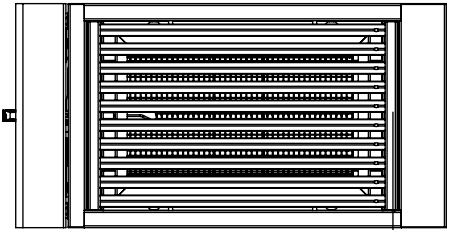
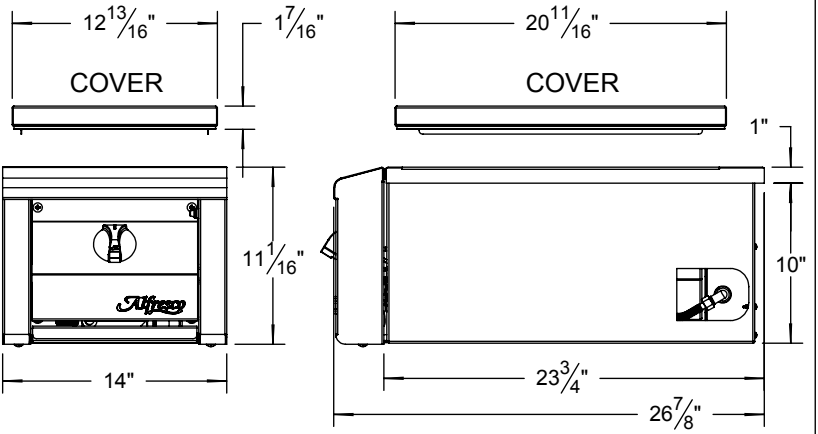


AGSZ TYPICAL INSTALLATION

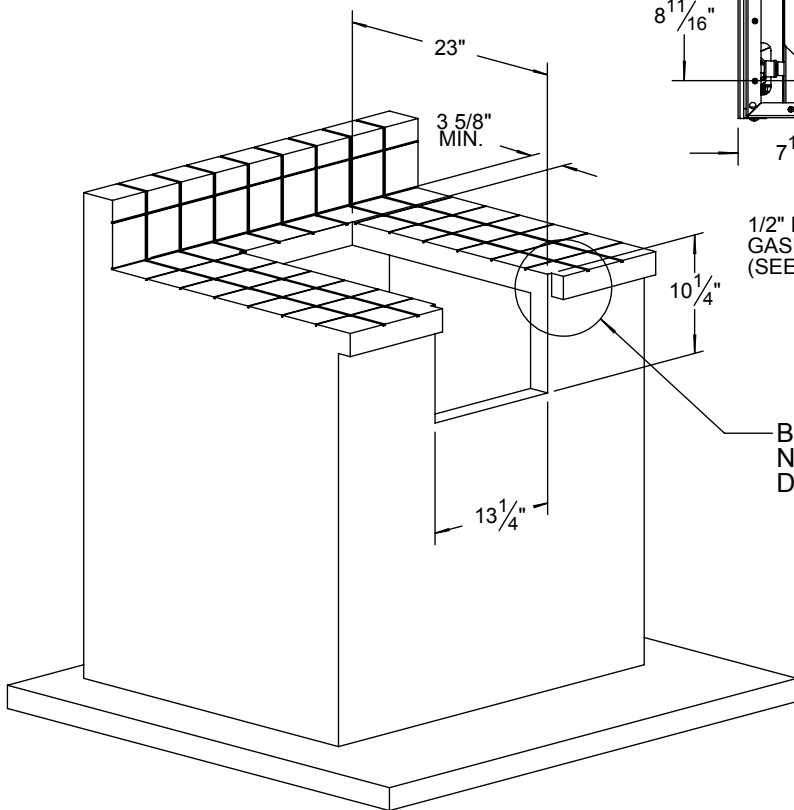
AGSZ - SEAR-ZONE™ SIDE BURNER



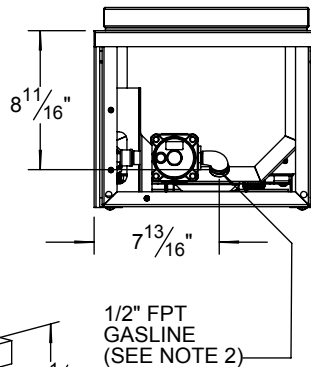
3/5 16" GASLINE SETBACK LOC.

COUNTERTOP CUTOUT REQUIREMENTS

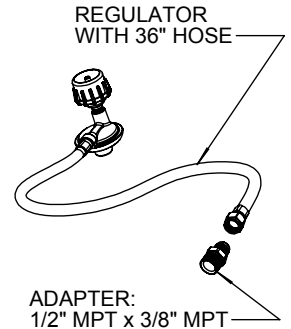
NOTE 1:
A GAS LINE IS REQUIRED INSIDE THE COUNTER FOR OPERATION.
IT IS RECOMMENDED THAT A FLEXIBLE GAS LINE IS USED TO EASE INSTALLATION IN NATURAL GAS (NG) SETUPS.
(SEE NOTE 2 IN REGARDS TO LP SETUPS)



BACK VIEW



LP GAS SETUP:



NOTE 2:
STANDARD UNIT HAS A NATURAL GAS (NG) CONNECTION WITH 1/2" FPT FITTING.

IF LIQUID PROPANE (LP) OPTION IS ORDERED, THE UNIT IS SUPPLIED WITH A REGULATOR, HOSE AND ADAPTER FITTING AS SHOWN.

