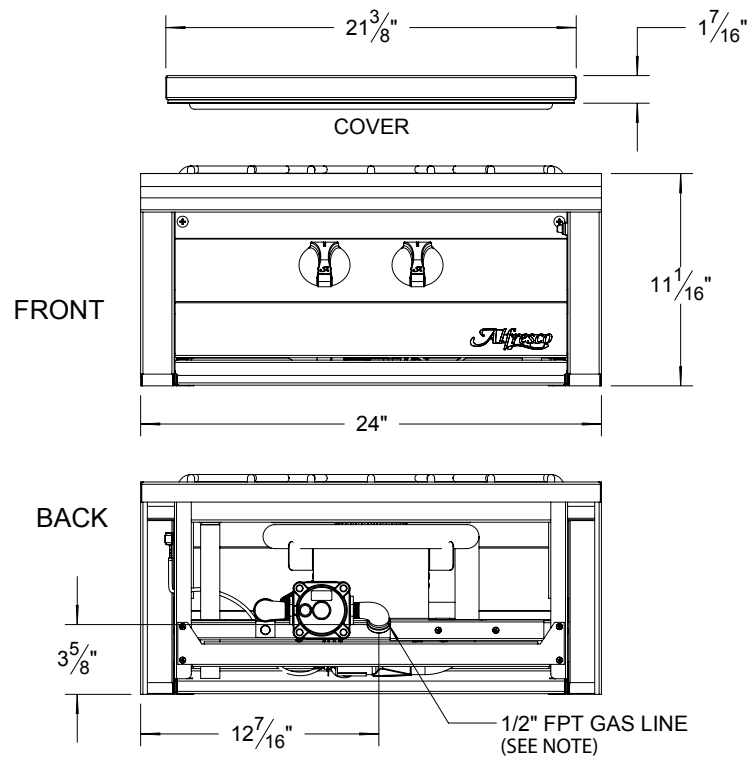
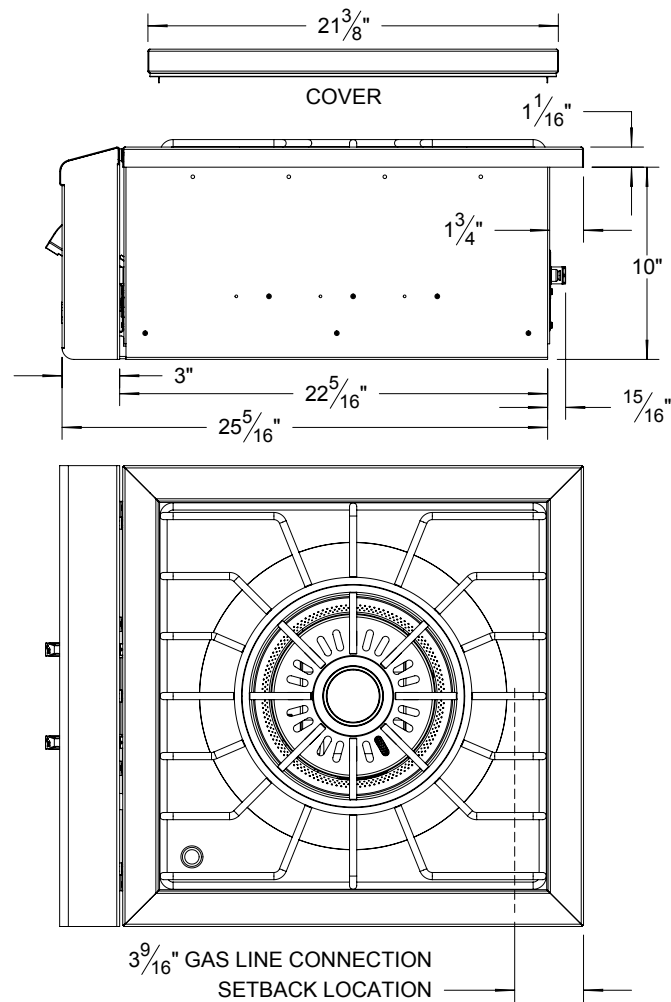
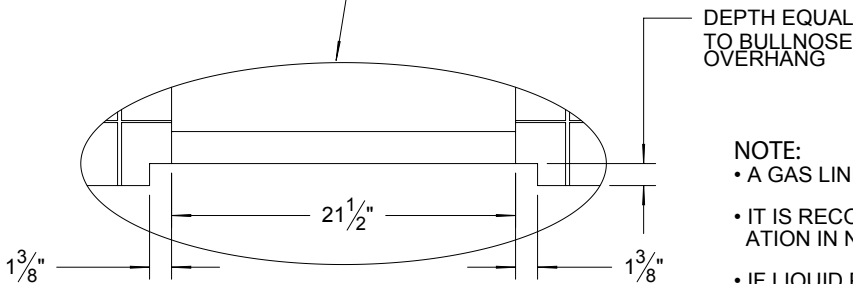
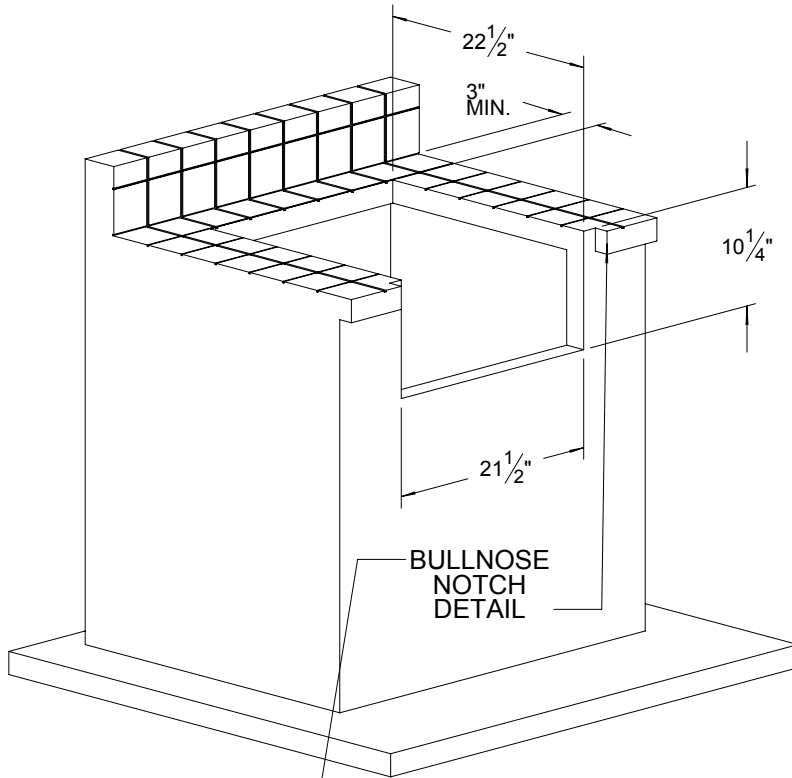


AGVPC TYPICAL INSTALLATION



COUNTERTOP CUTOUT REQUIREMENTS



NOTE:

- A GAS LINE IS REQUIRED INSIDE THE COUNTER FOR OPERATION.
- IT IS RECOMMENDED THAT A FLEXIBLE GAS LINE IS USED TO EASE THE INSTALLATION IN NATURAL GAS (NG) SETUPS. THE CONNECTION IS 1/2" FPT.
- IF LIQUID PROPANE SETUP IS ORDERED, THE UNIT IS SUPPLIED WITH A REGULATOR, A 36" HOSE AND A 1/2" MPT x 3/8" MPT ADAPTER.