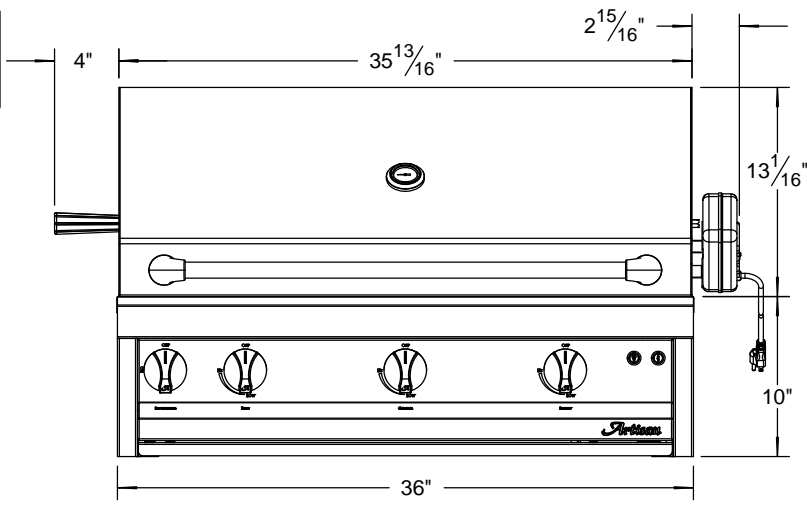
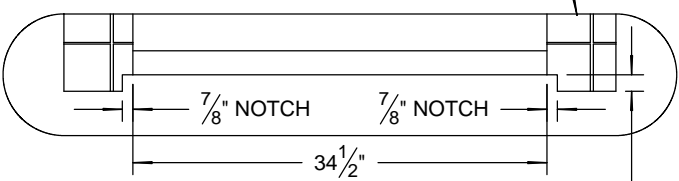
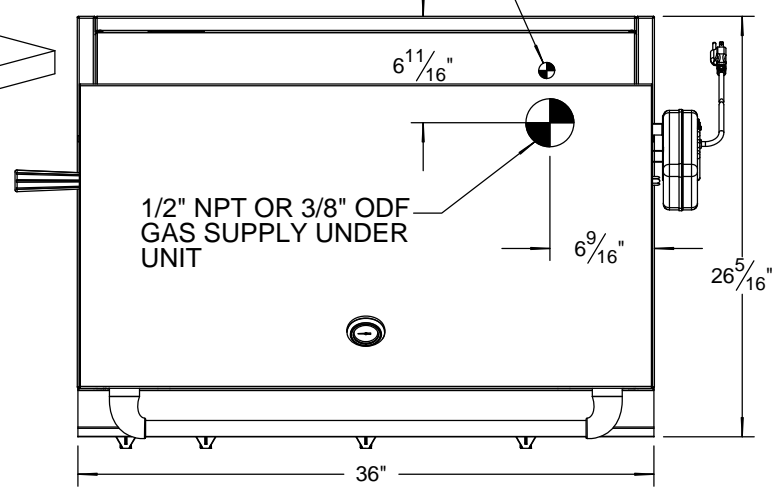
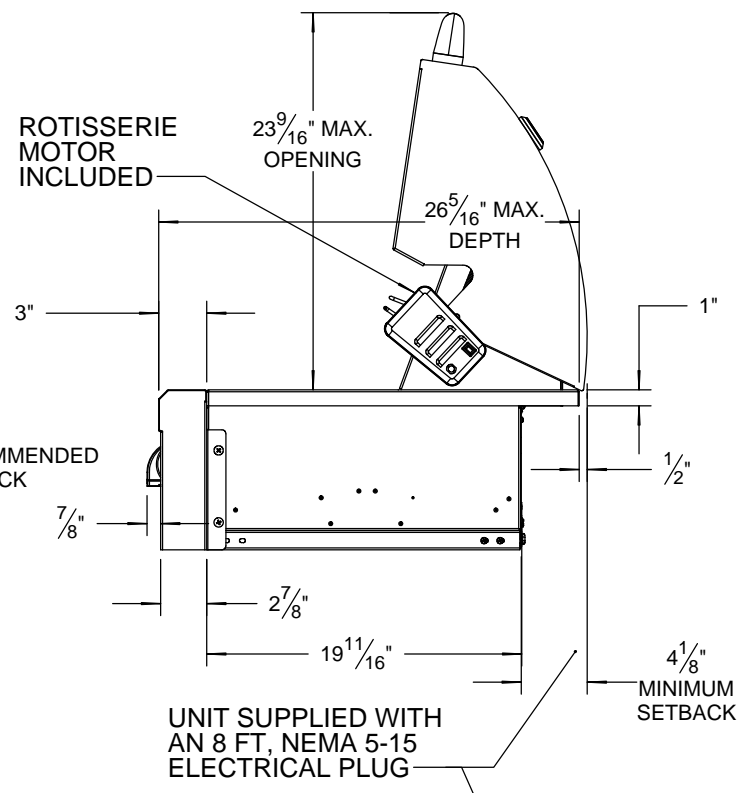
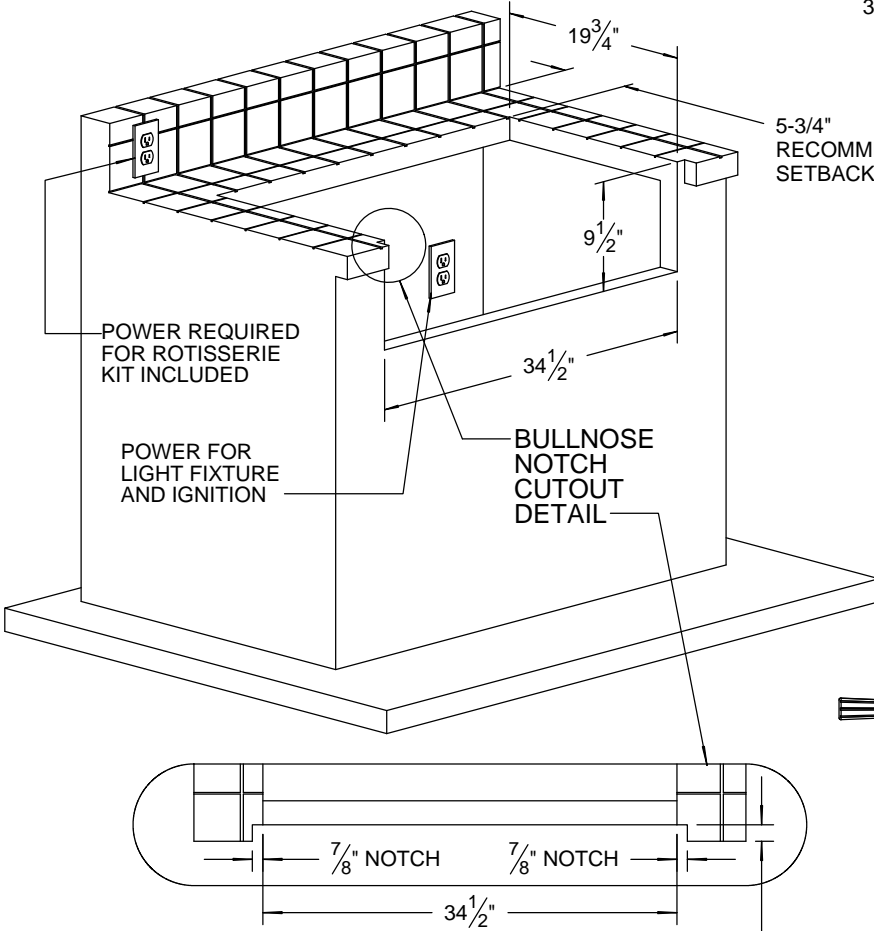


**TYPICAL ARTP-36 INSTALLATION**



**COUNTERTOP CUTOUT REQUIREMENTS**



**SPECIFICATIONS:**

BTUH = 75,000  
 FUEL NG @ 5 W.C. / LP @ 10 W.C.  
 ELECTRICAL POWER: 115 VAC / 0.71AMPS / 60 Hz.  
 GAS CONNECTION: 1/2" NPT (NG) OR 3/8" ODF (LP)

DEPTH EQUAL TO BULLNOSE OVERHANG

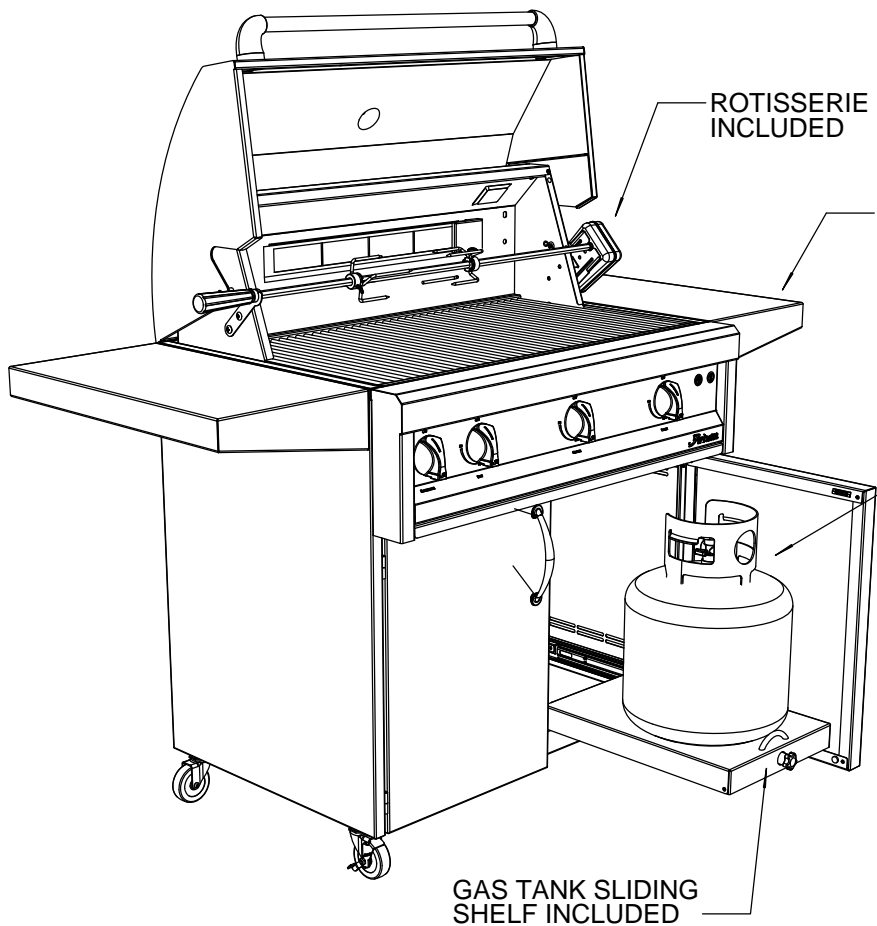
**NOTE:**  
 COUNTER MUST HAVE THE PROPER GAS SUPPLY AND ELECTRICAL POWER FOR YOUR ARTISAN BBQ.



THE INFORMATION CONTAINED IN THIS DRAWING IS THE SOLE PROPERTY OF SUPERIOR EQUIPMENT SOLUTIONS INC. ANY REPRODUCTION IN PART OR AS A WHOLE WITHOUT WRITTEN PERMISSION FROM SUPERIOR EQUIPMENT SOLUTIONS, INC. IS PROHIBITED.  
**DRAWN BY:** Jorge Pelayo  
**CREATED:** Thursday, March 03, 2016

**PROJECT TITLE:**  
**ARTISAN GRILLS**  
**DRAWING TITLE:**  
**ARTP-36 SPECIFICATIONS**

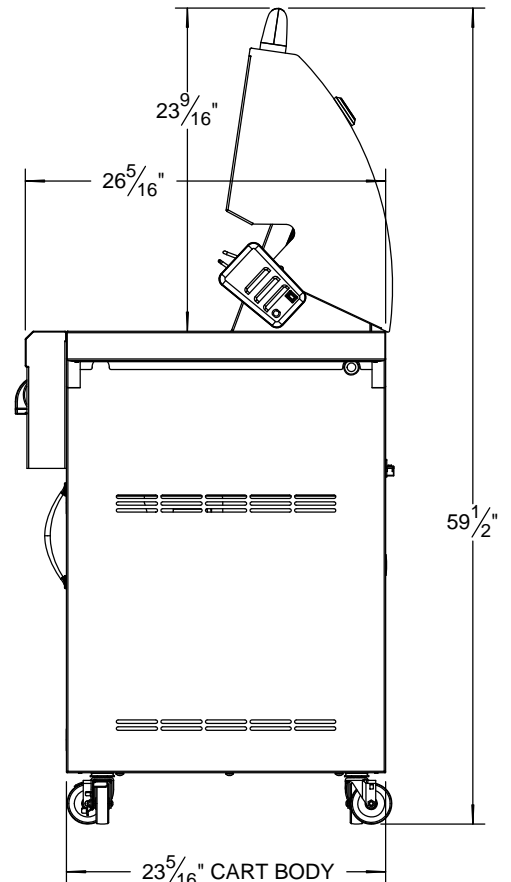
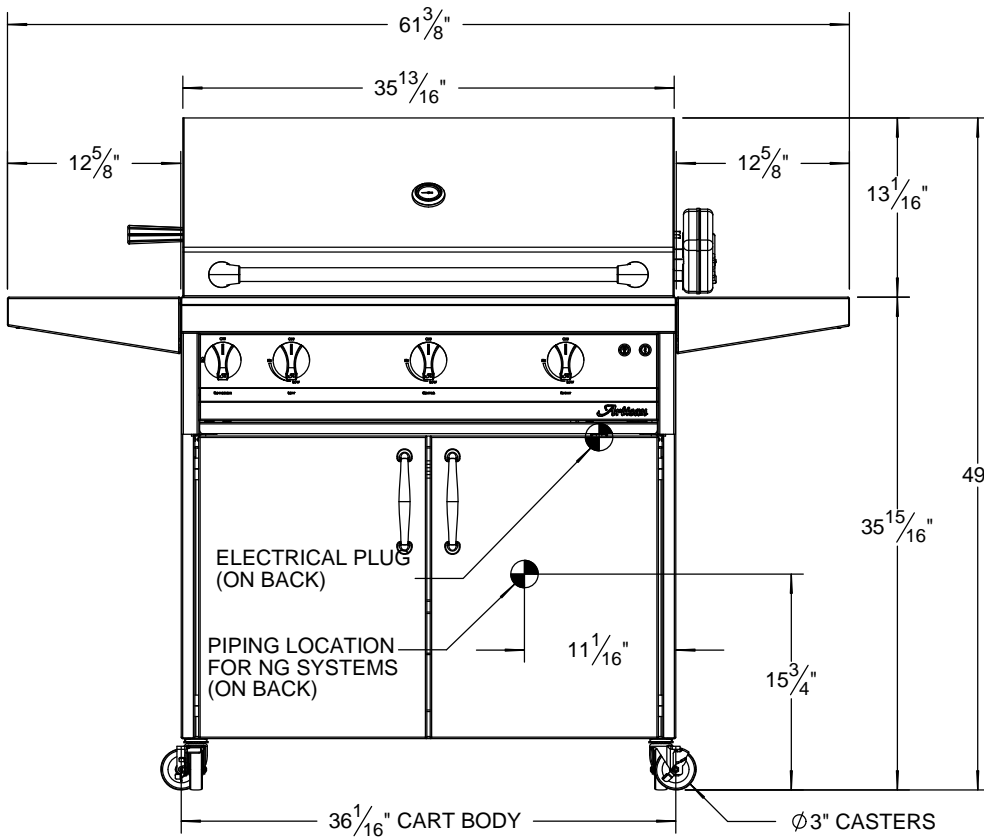
**DRAWING NO.:**  
**ARTP-36 SPEC SHEET**  
**SHEET 1 OF 1**



GAS TANK SHOWN AS REFERENCE (CUSTOMER SUPPLIED)

**SPECIFICATIONS:**

BTUH: 75,000  
 FUEL: NG @ 5" W.C. OR LP @ 10" W.C.  
 ELECTRICAL POWER: 115 VAC / 0.71 AMPS / 60 Hz.  
 GAS CONNECTION: 1/2" NPT (NG) OR 3/8" ODF (LP)



**Artisan**

THE INFORMATION CONTAINED IN THIS DRAWING IS THE SOLE PROPERTY OF SUPERIOR EQUIPMENT SOLUTIONS INC. ANY REPRODUCTION IN PART OR AS A WHOLE WITHOUT WRITTEN PERMISSION FROM SUPERIOR EQUIPMENT SOLUTIONS, INC. IS PROHIBITED.

PROJECT TITLE:  
**ARTISAN GRILLS**

DRAWING NO.:  
**ARTP-36C SPEC SHEET**

DRAWN BY: Jorge Pelayo  
 CREATED: Tuesday, March 08, 2016

DRAWING TITLE: