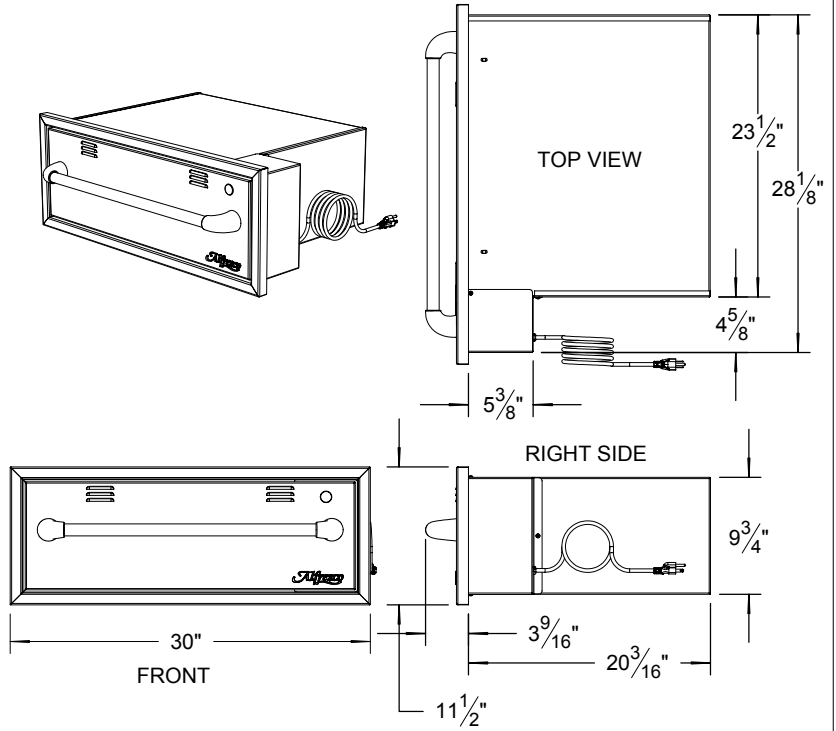


POWER REQUIREMENTS:
115 VAC - 3.9 AMPS

STANDARD GCFI OUTLET
IS REQUIRED FOR SAFETY

AWD-30 WARMING DRAWER



COUNTER FRONT CUTOUT REQUIREMENTS

