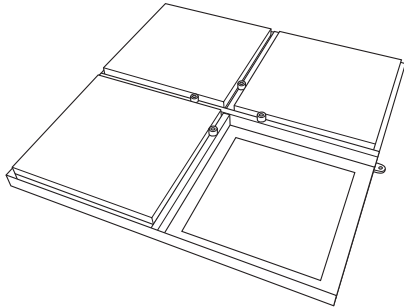




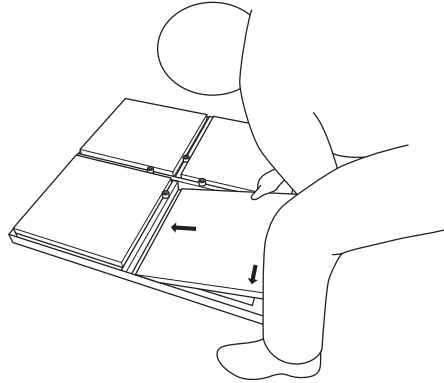
BarlowTyrie

**Cantilever Freestanding Base
4PBFC**

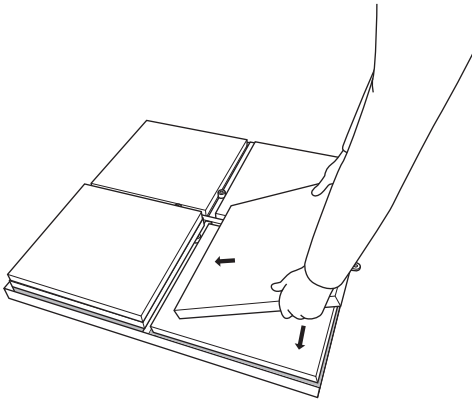
1 8 Concrete slabs. Size: 45cm x 45cm x 3cm (Not Supplied)



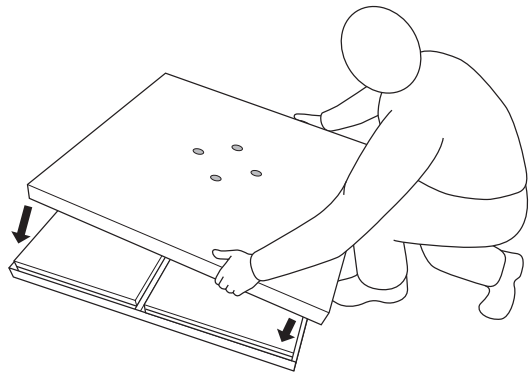
2



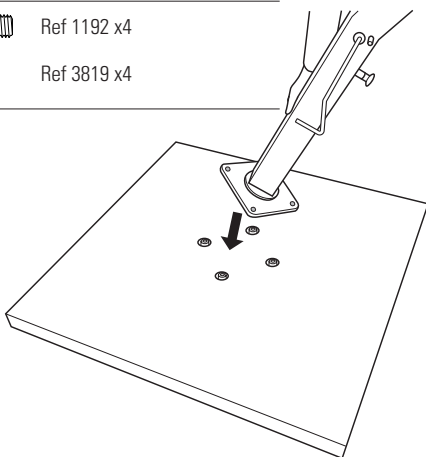
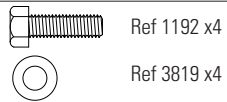
3



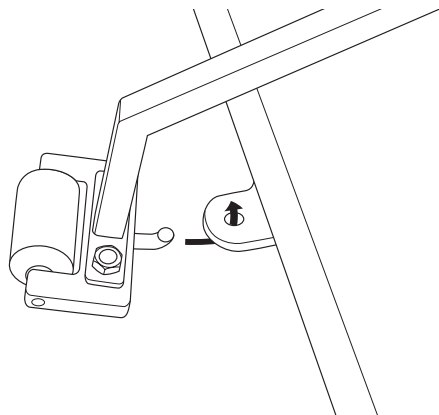
4



5



6

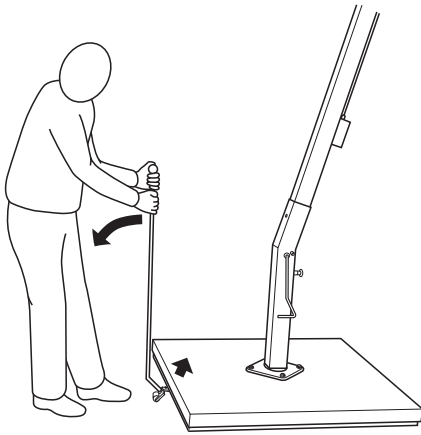




BarlowTyrie

**Cantilever
4PBFC**

7



8

