


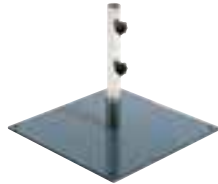
PARASOL BASES

PARASOL REDUCER RINGS



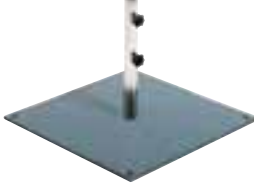
PB10 / PB20 ROUND BASE
Powder-coated, galvanized steel base plate. Stainless steel tube (single clamping handle on PB10). Non-scratch plastic feet on base are removable, allowing base to be spiked into ground.

D 15.5"
WT 35lb / 37lb



PB11 / PB21 SMALL SQUARE BASE
Powder-coated, galvanized steel base plate. Stainless steel tube (single clamping handle on PB11). Non-scratch plastic feet on base are removable, allowing base to be spiked into ground.

W 25"
D 25"
WT 92lb / 94lb



PB22 FREE-STANDING SQUARE BASE
Powder-coated, galvanized steel base plate. Stainless steel tube. Non-scratch plastic feet on corners are removable, allowing base to be spiked into ground. Removable carrying handles included.

W 33.5"
D 33.5"
WT 162lb



A51B 2" BRASS
A51S 2" STAINLESS STEEL
Eliminates movement between parasol pole and table. To fit parasols with 2" pole diameter. See below for applications.

D 2.75"



PB96 / PB98 ROUND CONTEMPORARY BASE

D 24"/28"
H 4"/4"
WT 97lb / 152lb



PB95 / PB97 ROUND CONTEMPORARY BASE WITH WHEELS

D 24"/28"
H 4"/4"
WT 97lb / 152lb



PC50 TABLE CLAMP
Stainless steel tube. 2 plastic sleeves provided with each clamp to facilitate the correct centering of 1.5" and 2" parasol poles.




A60B 1.5" BRASS
A60S 1.5" STAINLESS STEEL
Eliminates movement between parasol pole and table. To fit parasols with 1.5" pole diameter. See below for applications.

D 2.875"



A55B 1.5" BRASS
A55S 1.5" STAINLESS STEEL
Eliminates movement between parasol pole and table. To fit parasols with 1.5" pole diameter. See below for applications.

D 3.125"



A65B 1.5" BRASS
A66B 1.5" BRASS
Eliminates movement between parasol pole and table. To fit parasols with 1.5" pole diameter. See below for applications.

D 3.75"



PB99 FLUSH MOUNT BASE
Mounts flush with ground level.

D 6"



PB50 / PB51 ROUND ORNATE BASE
Available in White, Champagne, Black or Teakwood Brown to match P55, P56 & P57 pole colors.

D 24"/30"
H 7"/8"
WT 97lb / 127lb

PB50 / PB51 BASE COLORS


WHITE


CHAMPAGNE


BLACK


TEAKWOOD BROWN



A56B 2" BRASS
A56S 2" STAINLESS STEEL
Eliminates movement between parasol pole and table. To fit parasols with 2" pole diameter. See below for applications.

D 3.125"



A61B 2" BRASS
A61S 2" STAINLESS STEEL
Eliminates movement between parasol pole and table. To fit parasols with 2" pole diameter. See below for applications.

D 2.875"



A68S 3" ALUMINUM (SLATE)
A68T 3" ALUMINUM (TUNGSTEN)
Eliminates movement between parasol pole and table. To fit parasols with 1.5" and 2" pole diameters. See below for applications.

D 3"

TABLE MODEL / CODE	PB10 PB20	PB11 PB21	PC50	PB50 PB51	PB96 PB98	PB95 PB97
Accessory Occasional Tables : 271, 272, 729						
Halifax Occasional Tables : 517, 518						
Bristol Bar Tables : 966	Y	N	N	N	N	Y
Bristol Round Tables : 925, 926, 204	Y	N	Y	N	N	Y
Bristol Square & Rectangular Tables : 918, 385	Y	Y	Y	N	N	Y
Bristol Extending Tables : 687, 688, 689, 686, 674						
Halifax Tables : 521, 524, 525	Y	Y	N	N	N	Y
Bristol Gateleg Tables : 397, 398	Y	Y	N	Y	Y	Y
Belmont Tables : 1830						
Richmond Tables : 676, 678, 679	Y	Y	N	Y	Y	Y
Winchester Tables : 7030, 7031						
Kore Teak Tables : 4571H, 4591H, 4651H	Y	Y	N	Y	Y	Y
Kore HPL Tables : 4578, 4570, 4579, 4598, 4590, 4599, 4658, 4650, 4659						
Azore HPL Tables : 5418, 5428, 5438	Y	Y	N	Y	Y	Y
Azore Teak Tables : 5419, 5429, 5439						
Azore Aluminum Tables : 5417, 5427, 5437	Y	Y	N	Y	Y	Y
Azore Synthetic Wood Tables : 5416, 5426, 5436						
Plantation Teak Tables : 316	Y	Y	N	Y	Y	Y
Plantation Woven Tables : 301, 315						
Havana Tables : 2632, 2642	Y	Y	N	Y	Y	Y

TABLE MODEL / CODE	A50 A51	A55 A56	A60 A61	A65 A66	A68S A68T
Accessory Occasional Tables : 271, 272, 729	N	N	Y	N	N
Halifax Occasional Tables : 517, 518					
Halifax Tables : 521, 524, 525	N	N	Y	N	N
Richmond Tables : 676, 678, 679					
Kore Teak Tables : 4571H, 4591H, 4651H	N	N	Y	N	N
Kore HPL Tables : 4578, 4570, 4579, 4598, 4590, 4599, 4658, 4650, 4659					
Bristol Bar Tables : 966	Y	N	N	N	N
Bristol Round Tables : 925, 926, 204					
Bristol Gateleg Tables : 397, 398	Y	N	N	N	N
Bristol Square & Rectangular Tables : 918, 385					
Bristol Extending Tables : 687, 688, 689, 686, 674	N	Y	N	N	N
Belmont Tables : 1830					
Winchester Tables : 7030, 7031					
Azore Teak Tables : 5419, 5429, 5439	N	N	N	N	Y
Plantation Teak Tables : 316	Y	N	N	N	N
Plantation Woven Tables : 301, 315					
Havana Tables : 2632, 2642	N	N	N	Y	N