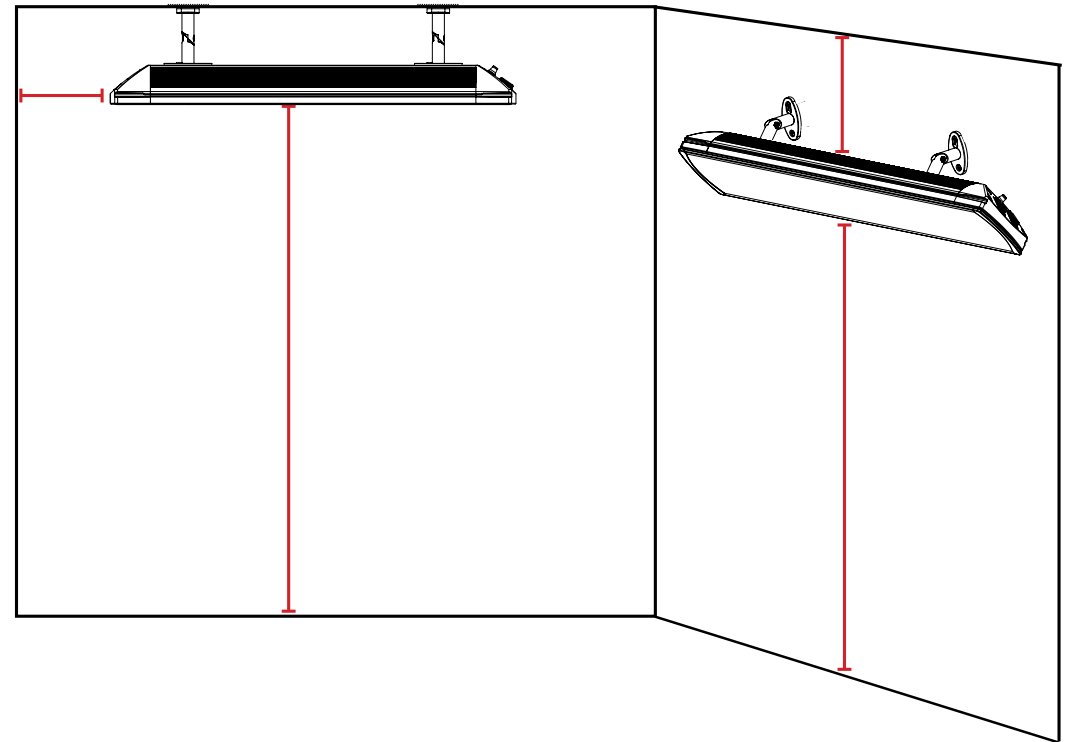


HEATSCOPE®

HEATSCOPE infrared heaters Recommended installation distances

- HEATSCOPE SPOT power heaters
- HEATSCOPE VISION ambient heaters



HEATSCOPE SPOT power heaters

Recommended installation distances

The HEATSCOPE SPOT features an omnipolar „ON/OFF“ switch. You can control the radiant heater manually using a selector switch on the unit itself or using an IR remote control which comes supplied (depending on the model). The unit must be connected to a residual current circuit breaker and a fuse.

It is recommended that you only install the unit in indoor or outdoor areas that are well protected from any weather influences from above like rain and dust. The heater is protected from lateral spray water, but is has to be covered with a roof or a similar canopy upwards.

The radiant heater must be installed at a height of at least min. 180 cm and max. 300 cm and at a distance of at least 40 cm from each adjacent wall. The distance between the radiant heater and the rear surface must be at least 10 cm (this distance can be achieved using the supplied fixing accessories). Other protective measures may need to be taken in accordance with local fire safety regulations, e.g. for installation on combustible surfaces.

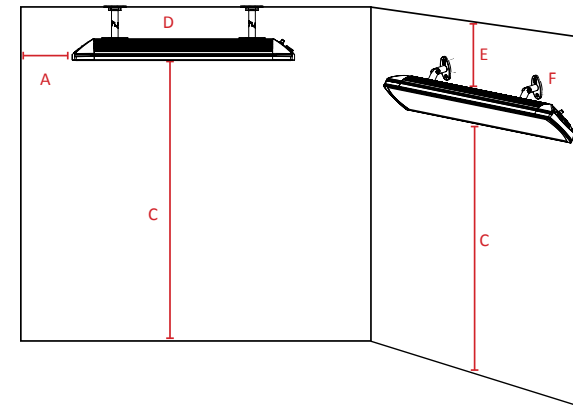
The radiant heater must not be installed directly below a power socket. The sides of the HEATSCOPE must be at least 10 cm from any power sockets.

All cables must be positioned so that they cannot come into contact with the radiant heater at any time.

The dimensions given are minimum values and may deviate from the local building and fire safety regulations. The latter must be complied with at all times.

The fixing surfaces shown must comply at least with fire protection class A2. The HEATSCOPE complies with IP 44 protection class requirements (dust and splash-proof).

Required minimum distances from combustible fixing surfaces:



- A min. 40 cm
- B min. 50 cm
- C min. 180 cm
- D min. 17 cm
(can be achieved using the supplied fixing accessories)
- E min. 20 cm (with heating angle < 45°)
- F min. 10 cm
(can be achieved using the supplied fixing accessories)

HEATSCOPE VISION ambient heaters

Recommended installation distances

The HEATSCOPE VISION features an omnipolar „ON/OFF“ switch. You can control the radiant heater manually using a selector switch on the unit itself or using an IR remote control which comes supplied (depending on the model). The unit must be connected to a residual current circuit breaker and a fuse.

It is recommended that you only install the unit in indoor or outdoor areas that are well protected from any weather influences from above like rain and dust. The heater is protected from lateral spray water, but is has to be covered with a roof or a similar canopy upwards.

The radiant heater must be installed at a height of at least min. 180 cm and max. 250 cm and at a distance of at least 40 cm from each adjacent wall. The distance between the radiant heater and the rear surface must be at least 10 cm (this distance can be achieved using the supplied fixing accessories). Other protective measures may need to be taken in accordance with local fire safety regulations, e.g. for installation on combustible surfaces.

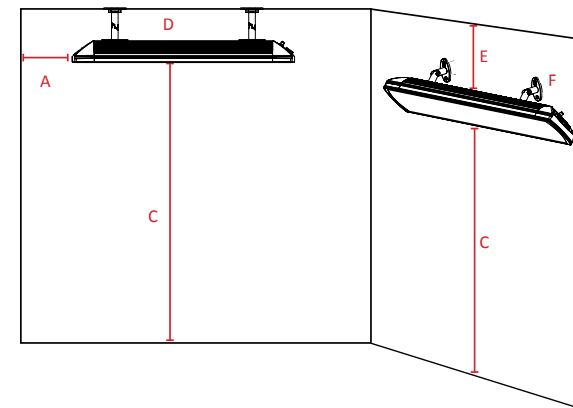
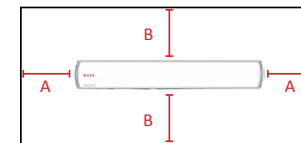
The radiant heater must not be installed directly below a power socket. The sides of the HEATSCOPE must be at least 10 cm from any power sockets.

All cables must be positioned so that they cannot come into contact with the radiant heater at any time.

The dimensions given are minimum values and may deviate from the local building and fire safety regulations. The latter must be complied with at all times.

The fixing surfaces shown must comply at least with fire protection class A2. The HEATSCOPE complies with IP 44 protection class requirements (dust and splash-proof).

Required minimum distances from combustible fixing surfaces:



- A min. 40 cm
- B min. 50 cm
- C min. 180 cm
- D min. 17 cm
(can be achieved using the supplied fixing accessories)
- E min. 20 cm (with heating angle < 45°)
- F min. 10 cm
(can be achieved using the supplied fixing accessories)