

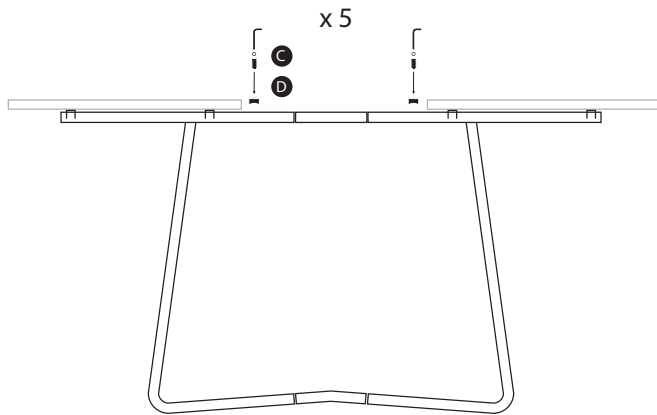
Circle 150

Bamboo

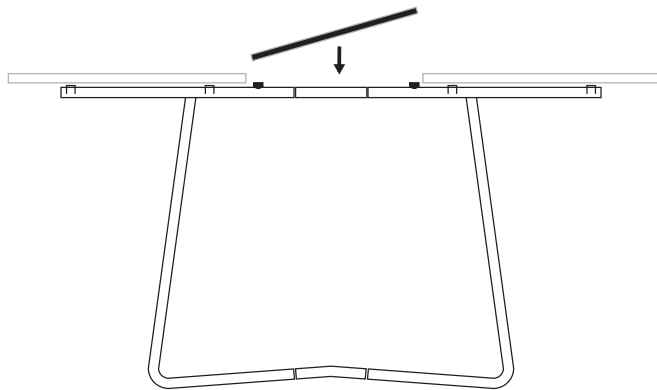
Design by
Henrik Pedersen for

HOUE

5



6



The bamboo lamellas on your table are treated with a special impregnation from the factory. To keep the table nice it is necessary to treat the bamboo lamellas on a regular basis with oil suitable for bamboo. We recommend you to oil the table before taking it into use, and again after approx. 4 weeks, then as needed (3 – 4 times a year)

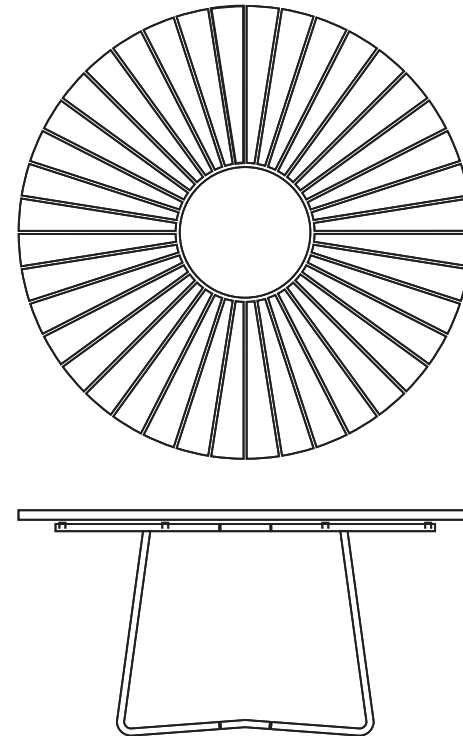
Fungi can attack all wooden furniture that is placed outside. Once fungi have attacked the bamboo it is possible to clean it by sanding the bamboo down with sandpaper and oil it again.

It is very important that you do not oil the bamboo if there is the slightest sign of infestation of fungi. Oiling at this stage will worsen the problem.

We recommend oil suitable for outdoor bamboo furniture containing fungicide. Fungicide is an anti-fungal agent.

For daily cleaning it is recommended to only use hot water, as soapy water dissolves the oil. Outside the season, store in a dry and ventilated room. Do not cover the bamboo top, as bamboo is a natural material that needs air to avoid that fungi and mold will spread into the material.

The stone is pre-treated with oil and will get lighter in color with time. To keep the dark color stone oil can be applied.



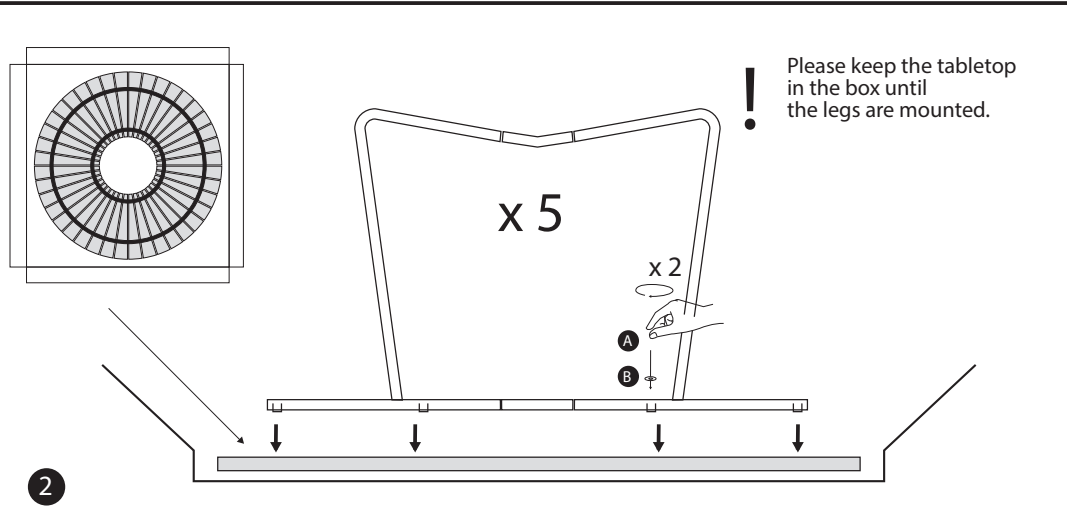
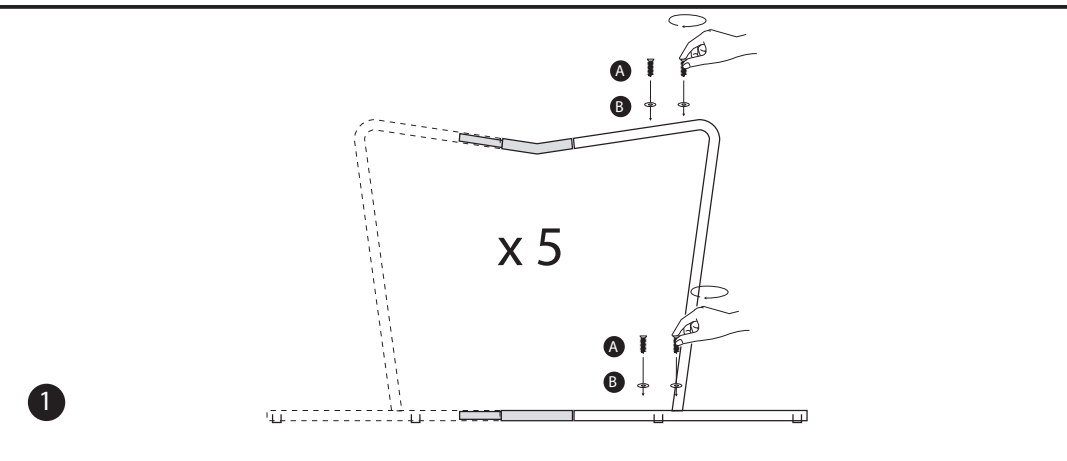
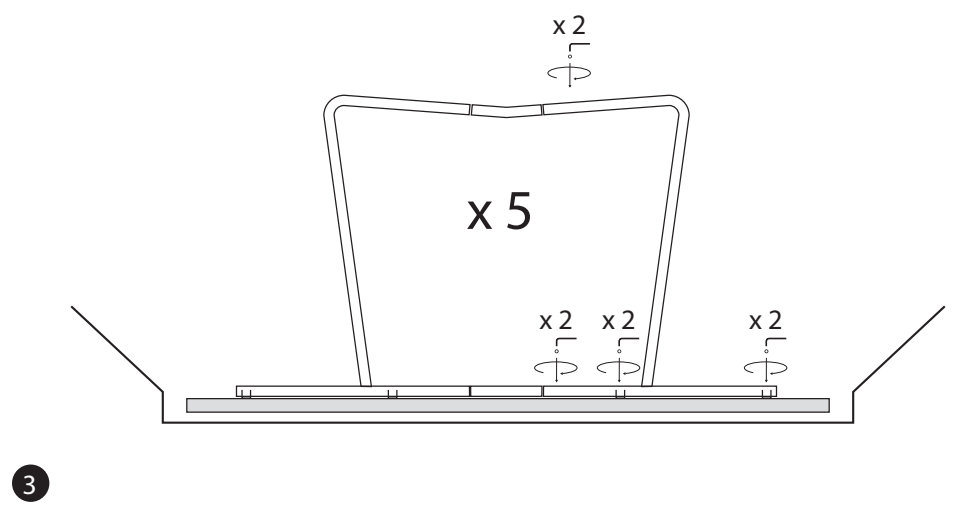
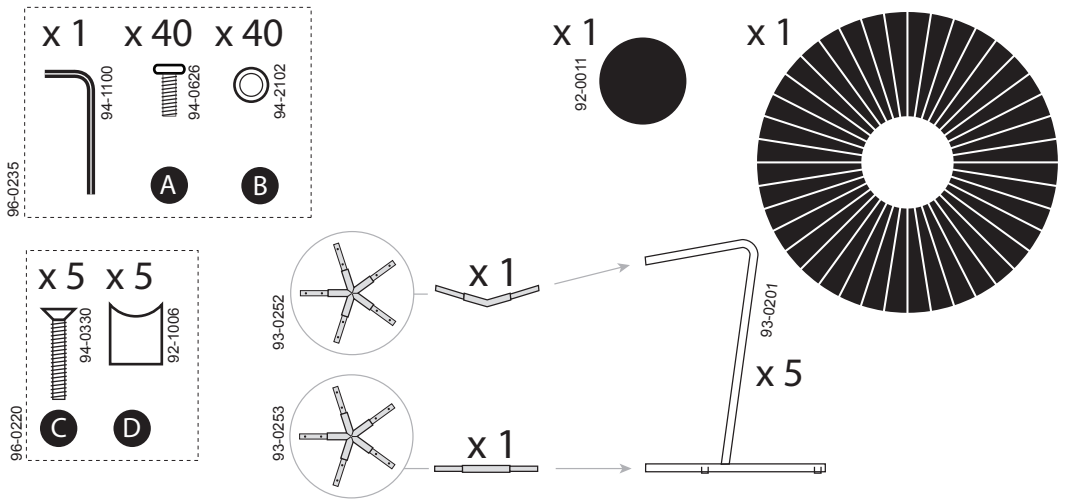
Assembly instructions

Screws and tools are included

Please keep the tabletop in the box until the legs are mounted.

It takes 2 persons to flip the table in order to avoid any damage to the table.

Assembly instruction 97-4008



2 persons



! It takes 2 persons to flip the table in order to avoid any damage to the table

