

BAMBOO MAINTENANCE

Bamboo is a material that needs to be taken care of, in order to maintain a rich and beautiful surface for many years. The natural material has a very hard surface, but it is also porous if left to dry out.

Therefore, we recommend the bamboo to be treated with oil suitable for outdoor furniture. Follow the instructions on the oil-product when applying. Use oil in moderation when applying: more is not always better. Oil the product once when taking into use, and then 2-3 times a year should be sufficient.

Our bamboo is treated with fungicide and oil from the factory, that helps prevent deterioration of the material. In long term, the bamboo will fade with sunlight and the weather, but maintenance, oil and cleaning will help keep the bamboo lasting for many years.

To prevent the bamboo from deterioration, the bamboo should never be covered with a tablecloth. It is important that the natural material can breathe. The risk of a tablecloth is that humidity will develop underneath the plate and develop mould and fungi.

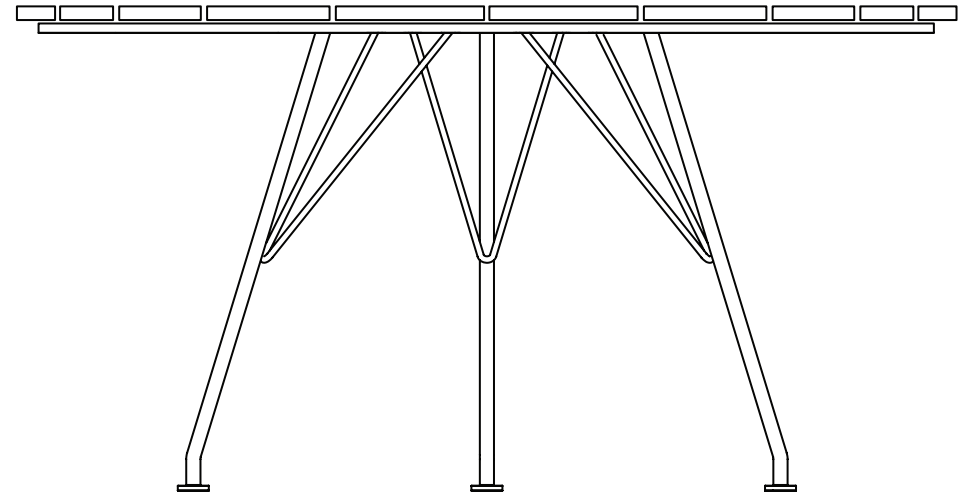
As any natural material standing outside, there is a risk of infection from fungi and spores from the environment. These can occur on the bamboo, as black or brown spots, and should be removed as soon as possible, if discovered.

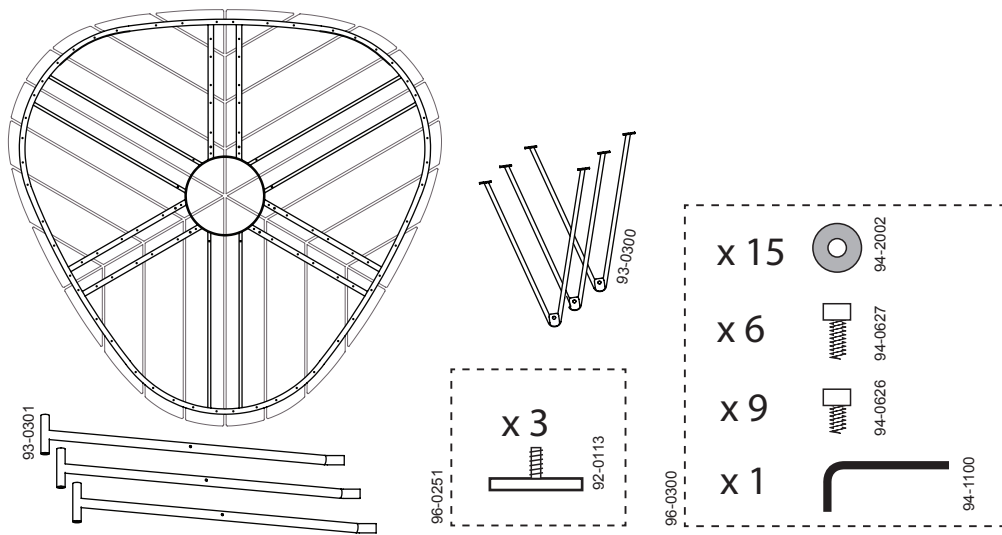
Removing fungi and damaged surface

- Make the bamboo surface wet, and scrub with a stiff brush. This cleans deep into the bamboo, and removes grime and fungi. A small amount of soap can if necessary be used.
- When the bamboo is dry, use a power sander to sand down the bamboo, just like a solid wood treatment. Start with a medium-coarse sandpaper, and when the desired removal is achieved, step up to a fine sandpaper to finish the surface. Make sure to sand the bamboo evenly everywhere.
- After cleaning and sanding, it is important that the surface of the bamboo is sealed immediately with oil again. Apply according to the instructions on the product label, making sure not to apply more than necessary.
- Let the oil dry, and enjoy your bamboo product.

LEAF TABLE

Design by
Henrik Pedersen for
HOUE





! Use the lid as cover when assembling the frame, to protect the tabletop and floor

