



INSTRUCTION MANUAL

Your new cover is designed to provide maximum weather protection with optimal "breathability". Proper care and use will significantly increase the life of the cover. Failure to follow this guide may result in the voiding of your cover's warranty.

PROPER CARE FOR YOUR COVER

The life and good looks of your cover depends a great deal on the way you use and how you care for your cover. Even the most durable materials require a certain amount of care, and fabric covers are no exception. Following these suggestions and tips can preserve the life of a cover. Be careful not to drag or yank your cover across any abrasive surfaces, such as cement, or over sharp corners when installing or removing. If properly fitted, the cover is designed to prevent water from standing on the cover. If the cover is not appropriately fitted, standing water may accumulate on the cover which will weaken the fabric.

CLEANING AND STORING YOUR COVER

Your cover can be hand washed or laundered with a front loading washing machine. Wash in cold water and hang dry. **DO NOT PUT IN A DRYER.** High heat can destroy the fabric. You can also spot wash with a soft cloth and mild detergent. Do not use an abrasive cleaner or cloth. It is important to keep your cover clean. This is the best protection against mildew. Your cover is made from material that will not promote the formation of mildew; however, mildew can grow on accumulated dirt and foreign material that collects on the cover. Keep your cover away from trees, shrubbery, vines, etc. as they contain acids that may deteriorate or stain your cover. Always store your cover dry. Folding the cover wet can promote mildew growth that can degrade the fabric. Hang dry before folding.

LIMITED WARRANTY

KoverRoos® patio furniture covers are warranted to be free of defects from workmanship and materials. Exchanges due to size, fit, or style selection problems may be made within 30 days of purchase. No exchanges will be made after 30 days. All returns will be inspected prior to processing of refunds or exchanges. Product returned for credit must be in its original packaging, and cannot be used, altered or damaged. Our warranty protects your furniture cover against damage when used under normal conditions and does not cover damage from acts of god, vandalism, neglect, misuse, or improper use such as wind whiplage. Damage caused due to improper sizing or installation, as well as damage caused by heavy storms or high winds will not be covered under warranty. Warranty is void if the cover has been modified in any way. This warranty is in lieu of all warranties expressed or implied, and under no circumstances shall we be liable for any damages in excess of the covers' original purchase price. To process a return, you will need to provide a proof of purchase. All discounts, credits, and exchanges will be completed after receipt, inspection, and resolution of warranty claims. For more information on exchanges, warranty of your specific cover, or to process a return visit:

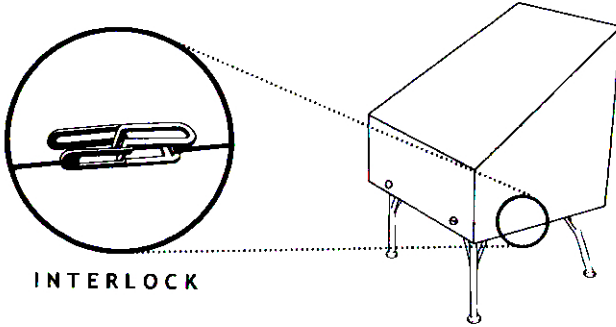
<http://www.koverroos.com/warranty>



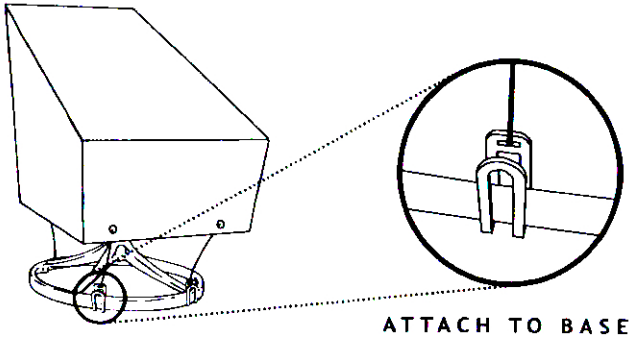
INSTALLATION

ATTACHING CHAIR, CHAISE, AND GLIDER COVERS

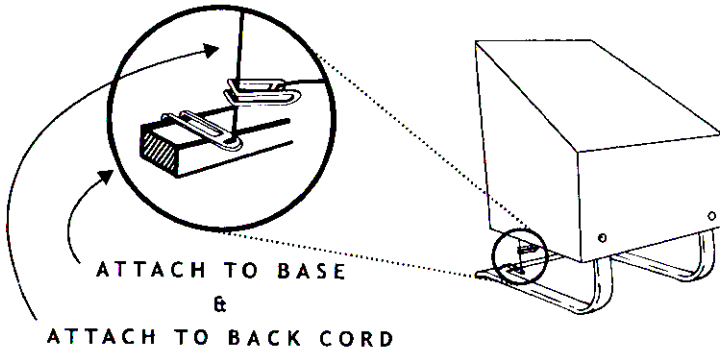
1. Put the cover over your furniture. Slide the clips into each other so they interlock smoothly, or attach directly to the chair. Examples illustrated below.
2. Adjust the length of the strap to reduce the sag on the cover. Be careful not to over tighten.



or



or



Covers for a table & chair set are secured to reduce excessive wear on the cover.

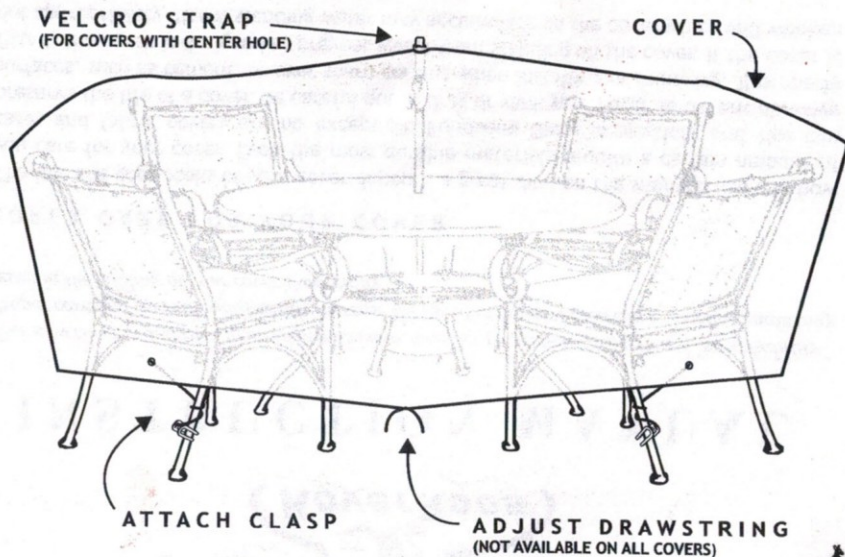
ATTACHING A TABLE AND CHAIR SET COVER WITHOUT A CENTER HOLE (NO UMBRELLA)

1. Remove the umbrella and push the chairs in as far as you can.
2. At the bottom of the cover, you will see grommet holes with cords and hoods fed through. Put the cover over your table and chair set. Previous page shows how to attach the clasp to different types of chairs.
3. Adjust the length of the elastic strap to reduce the sag on the cover. Be careful not to over tighten.

ATTACHING A TABLE AND CHAIR SET COVER WITH A CENTER HOLE (TO ACCOMMODATE AN UMBRELLA)

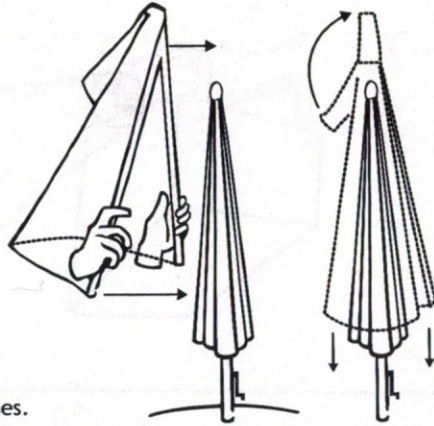
The cover has a center hole and Velcro to allow you to slide the cover around the umbrella.

1. Push the chairs in as far as you can and slide the cover over the table and chairs, aligning center hole with umbrella hole.
2. Align the cover so that each chair matches up with a clasp. previous page shows how to attach the clasp to different types of chairs.
3. In the center hole, there will be a strip of elastic with Velcro attached to the end. Pull this strap as high up on the umbrella pole as possible, and wrap around the pole. This holds the center of the cover up, allowing water to drain away from the center hole.
4. Adjust the tie downs to reduce the sag on the cover. Be careful not to over tighten.



ATTACHING AN UMBRELLA COVER

1. Close umbrella completely and remove your cover from the pouch. Once it is removed, the stiffeners for the slot will usually unfold automatically.
2. Place umbrella cover on table with stiffeners and slot to your left and the top of the cover folded back towards you. Slide your hand up the slot to disengage Velcro fasteners.



3. Take the top stiffener in your hand and the bottom stiffener in your left hand and separate them moving your hands away from each other 18-24 inches.
4. Lift umbrella cover gently. Slot should face away from you and towards your umbrella. Stiffeners should stay rigid. See Diagram.
5. Place over umbrella then pull down to position cover. If, when you lift the cover and the stiffeners bend, they are turned in the wrong direction. The cupped side must face up and towards you as you place it over the umbrella.
6. Fasten bottom Velcro first, then the upper one. If you have difficulty, squeeze the umbrella into a smaller diameter .
7. To remove your cover from the Umbrella, undo the Velcro fasteners. Grasp ends of stiffeners and lift cover over top.

HELPFUL HINTS

If your furniture pieces have any sharp corners or edges, place foam rubber on the sharp edge to reduce risk of punctures or abrasion of your cover.

For table and chair combinations, placing an object, such as a beach ball, under the center of the cover can help with water drainage. For table and chair combinations that use an umbrella, water drainage improves when the height of the umbrella attachment is increased.

When covering a BBQ cover, make sure your BBQ grill is cool before placing the cover over it. Covers damaged by hot grills are not covered under warranty.

PURCHASE INFORMATION

SKU#:

Date of Purchase:

Dealer Name:

Retain this manual and your receipt for your records. This manual contains important information concerning your cover. Failure to follow this guide may result in the voiding of your cover's warranty. Proper use and care of your cover will provide excellent service. If you require any assistance, feel free to contact us at: 1-800-706-5225 or www.koverroos.com

