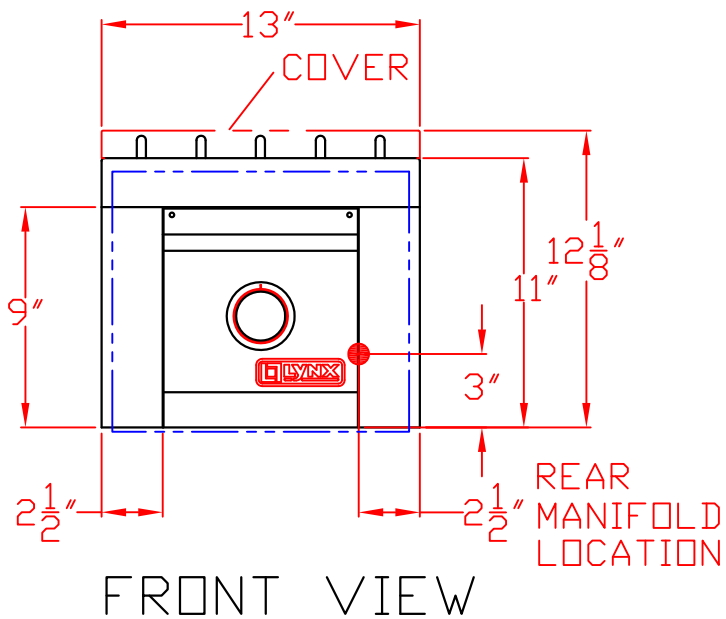
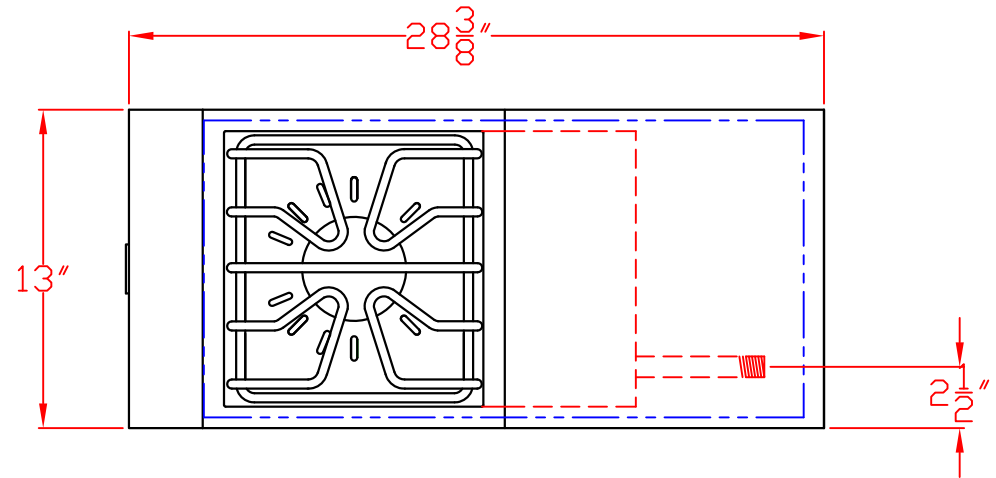


1/20/10

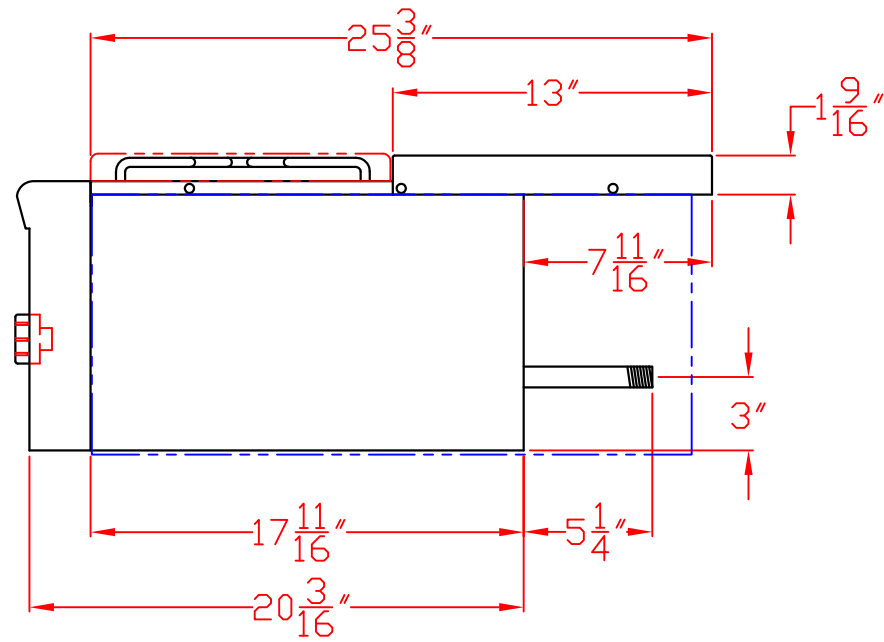
LYNX SIDE BURNER SINGLE- LSB1-1 W/ DIMENSIONS

ISLAND CUTOUT
IN BLUE

TOP VIEW



FRONT VIEW

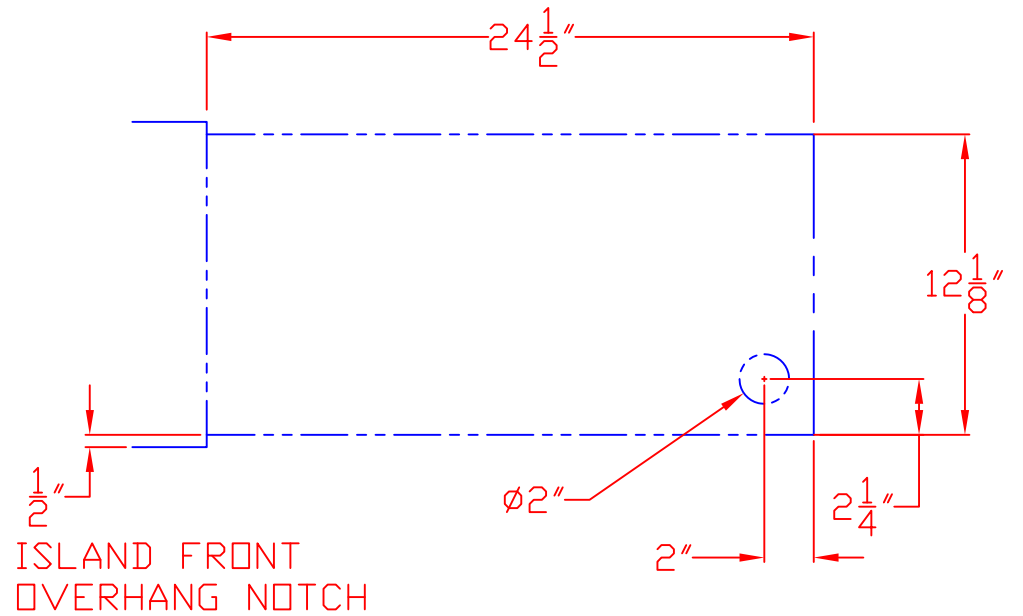


SIDE VIEW

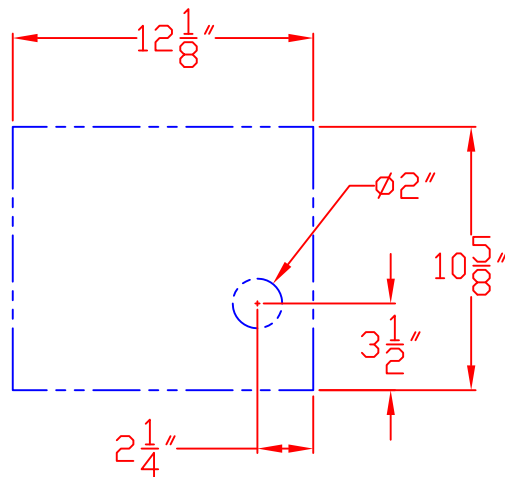
1/20/10

LYNX SIDE BURNER
SINGLE- LSB1-1
ISLAND CUTOUT

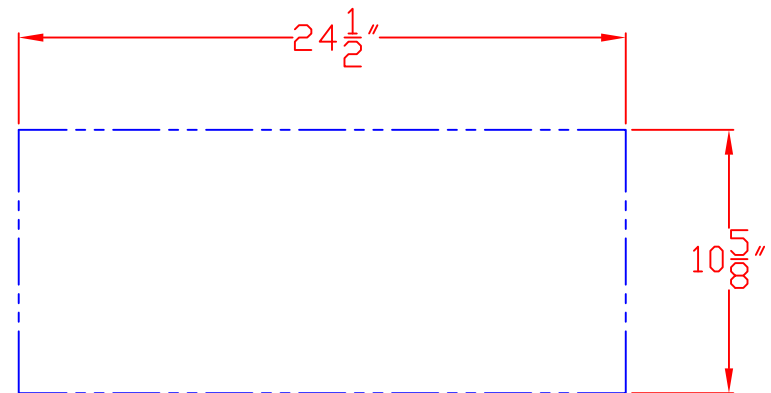
TOP VIEW



FRONT VIEW



SIDE VIEW

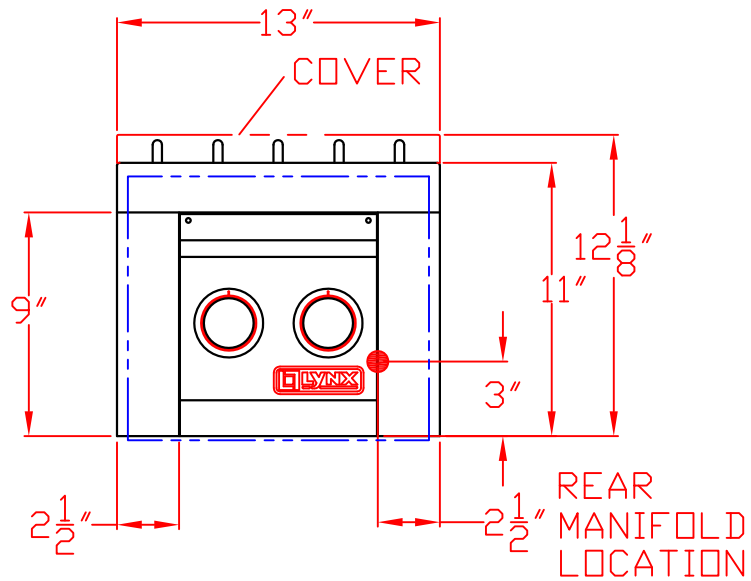
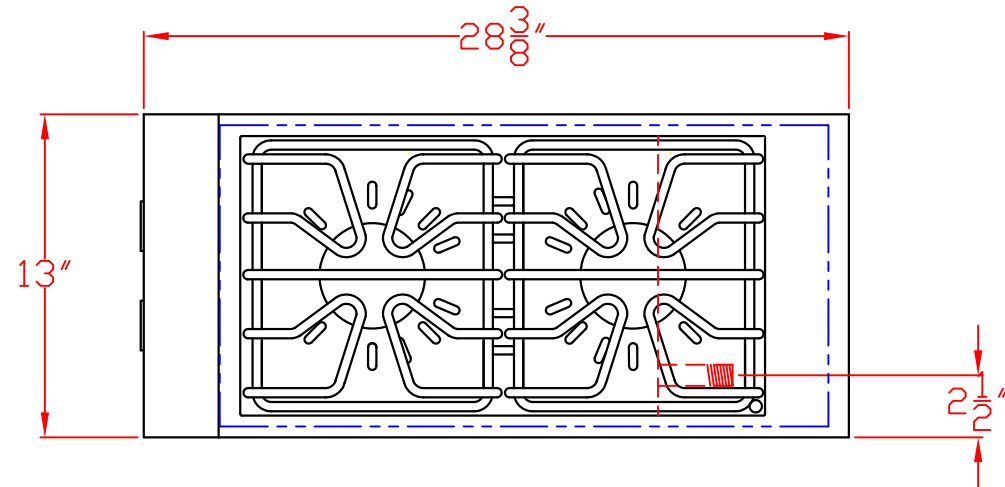


1/20/10

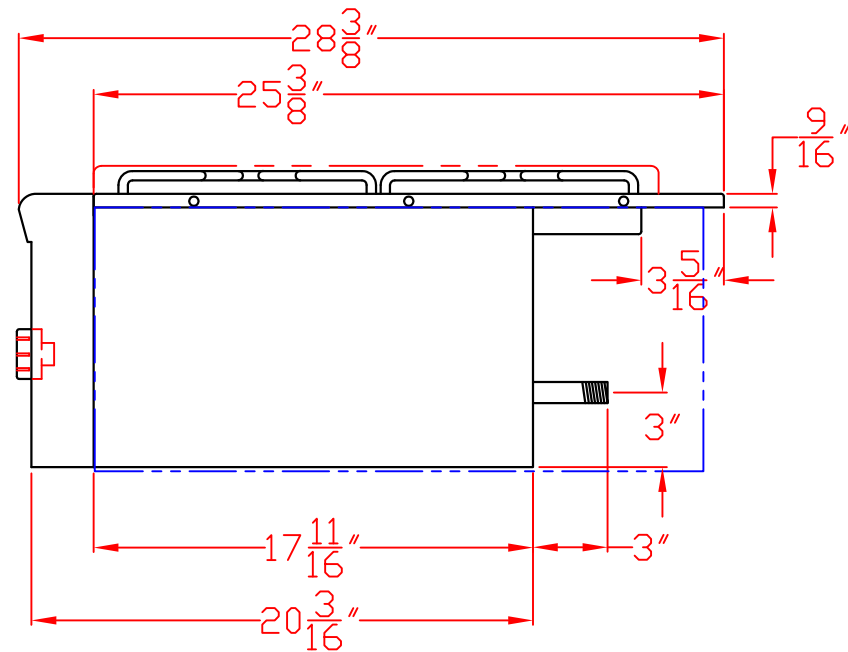
LYNX SIDE BURNER DOUBLE- LSB2-1 W/ DIMENSIONS

ISLAND CUTOUT
IN BLUE

TOP VIEW



FRONT VIEW

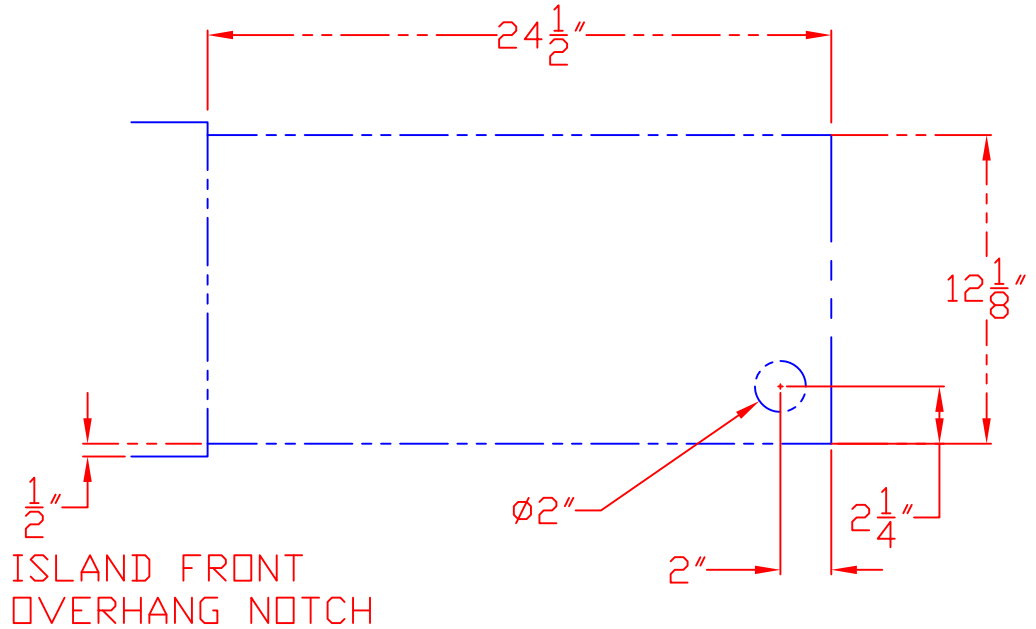


SIDE VIEW

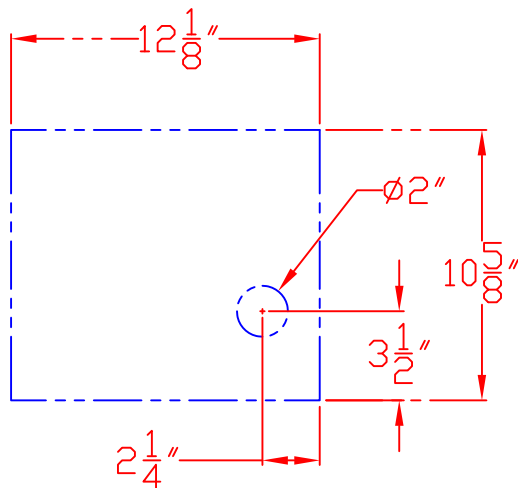
1/20/10

LYNX SIDE BURNER
DOUBLE- LSB2-1
ISLAND CUTOUT

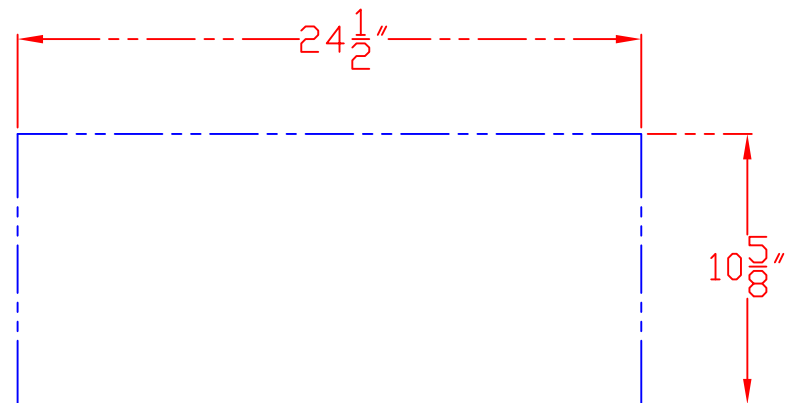
TOP VIEW



FRONT VIEW



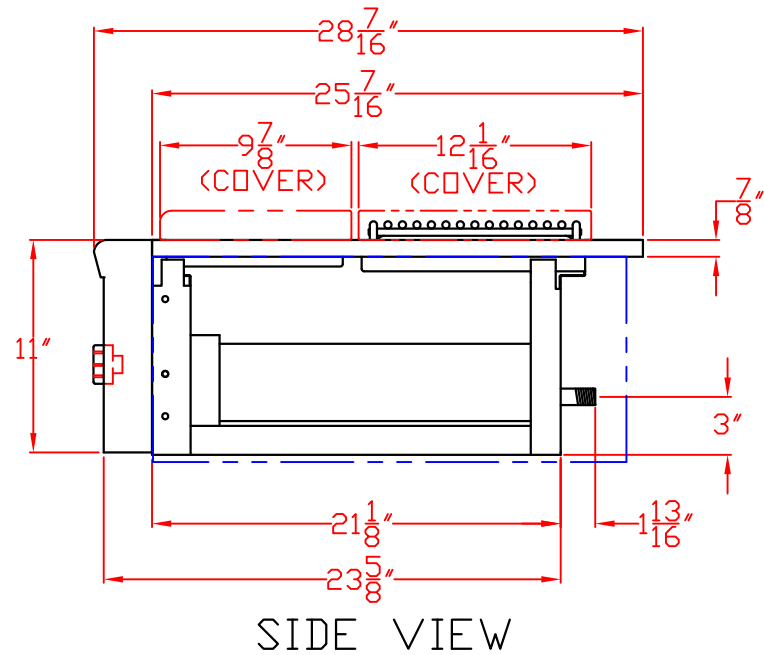
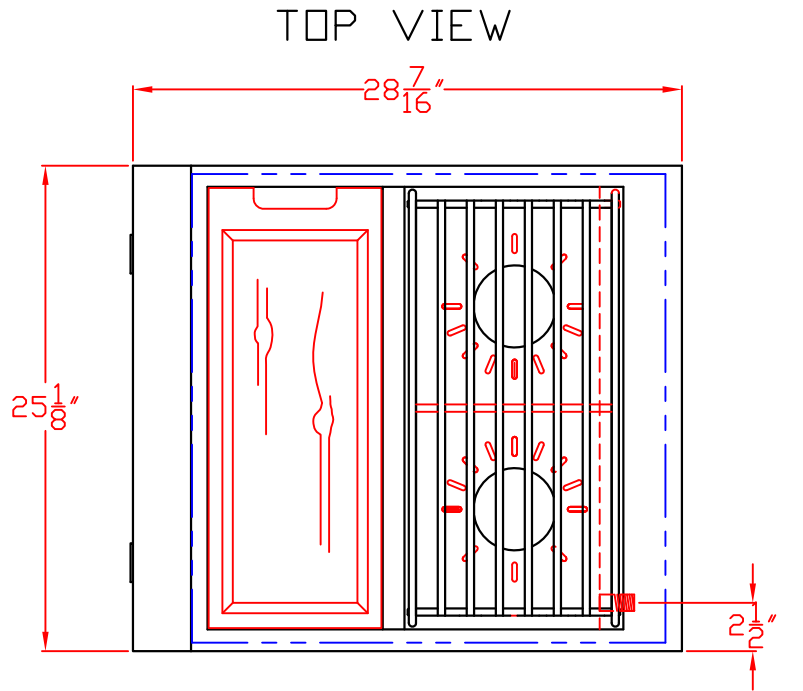
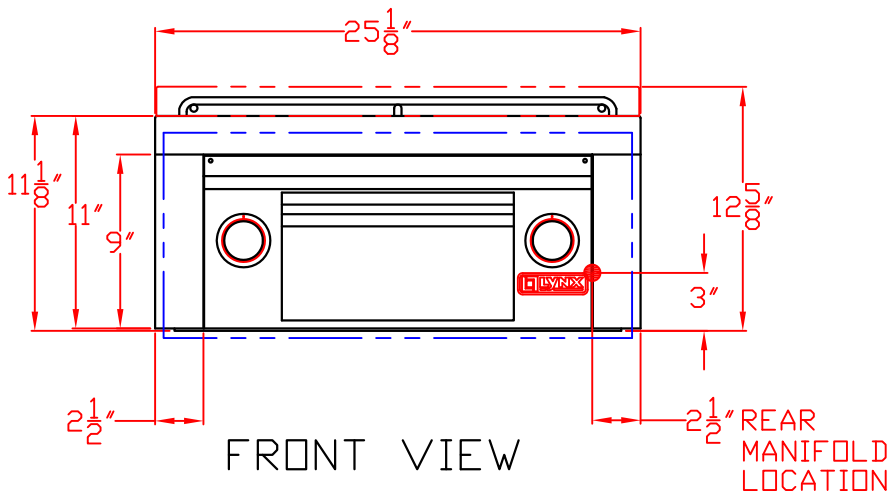
SIDE VIEW



1/20/10

LYNX SIDE BURNER-PREP CENTER LSB2PC-1 W/ DIMENSIONS

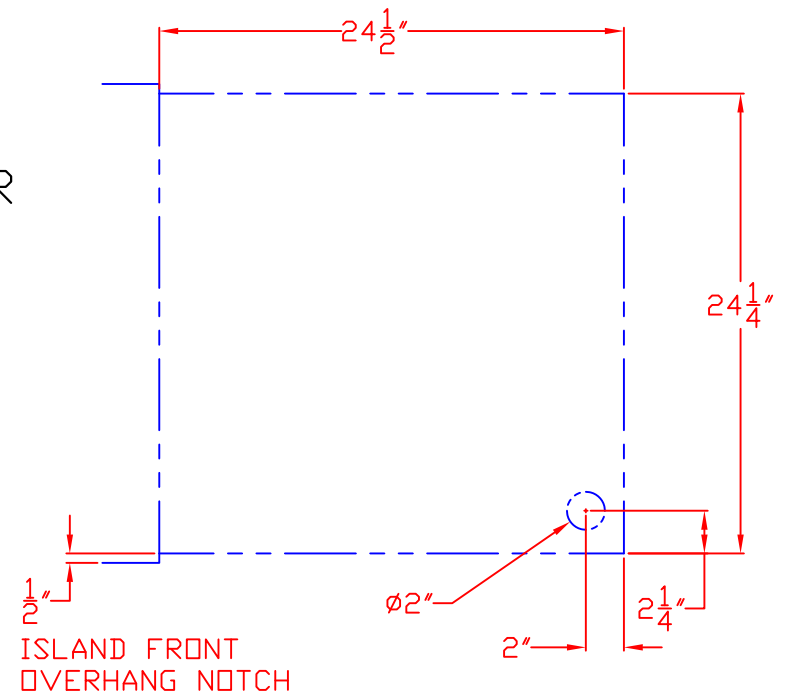
ISLAND CUTOUT
IN BLUE



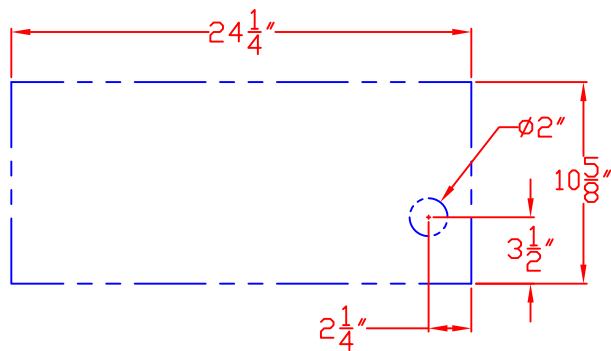
1/20/10

LYNX SIDE BURNER-PREP CENTER
LSB2PC-1
ISLAND CUTOUT

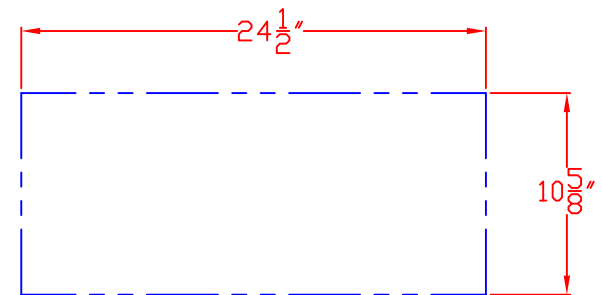
TOP VIEW



FRONT VIEW



SIDE VIEW

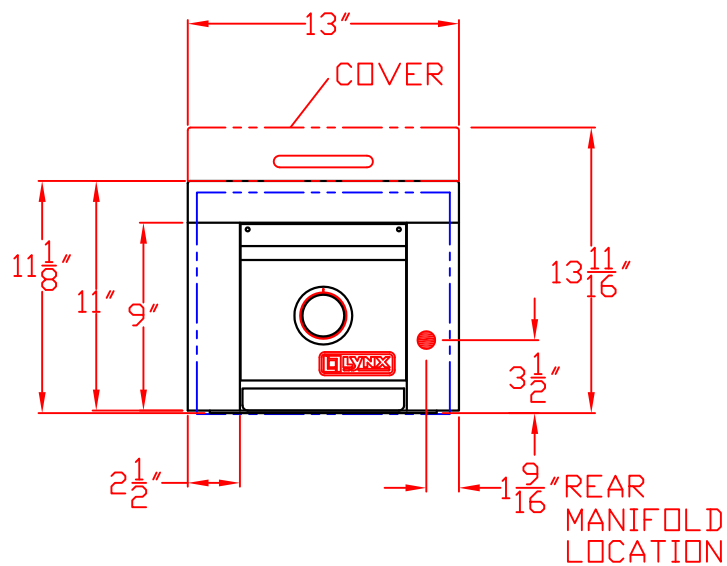
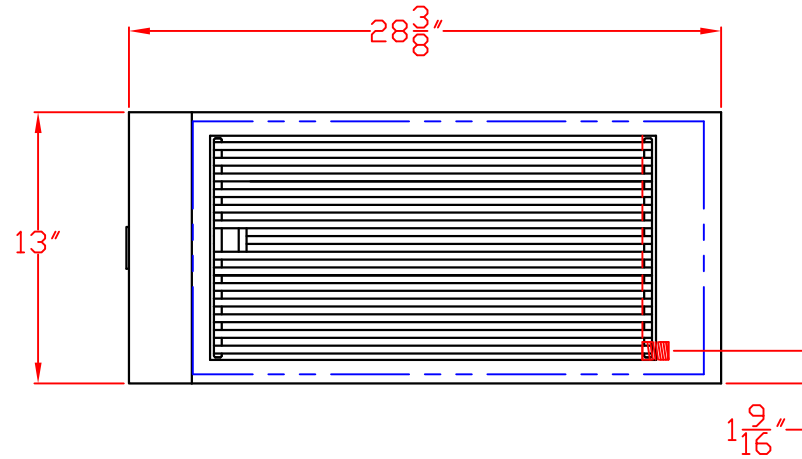


1/20/10

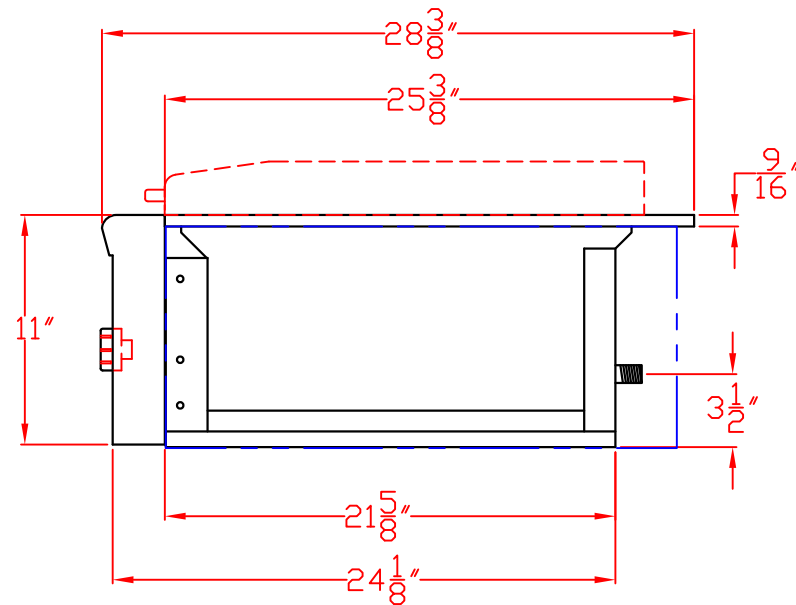
LYNX PROSEAR SIDE BURNER
GRILL EXTENDER
LPSGE-1
W/ DIMENSIONS

ISLAND CUTOUT
IN BLUE

TOP VIEW



FRONT VIEW

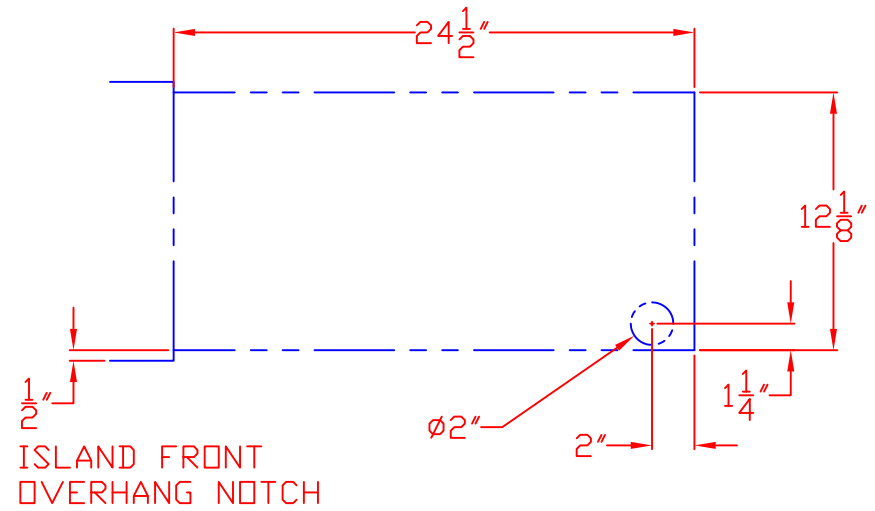


SIDE VIEW

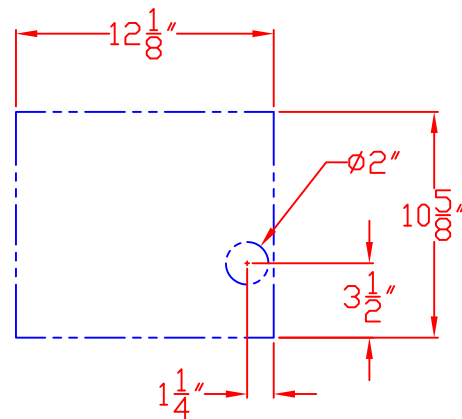
1/20/10

LYNX PROSEAR SIDE BURNER
GRILL EXTENDER
LPSGE-1
ISLAND CUTOUT

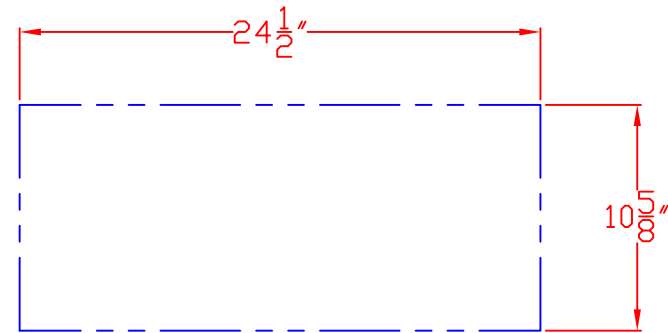
TOP VIEW



FRONT VIEW



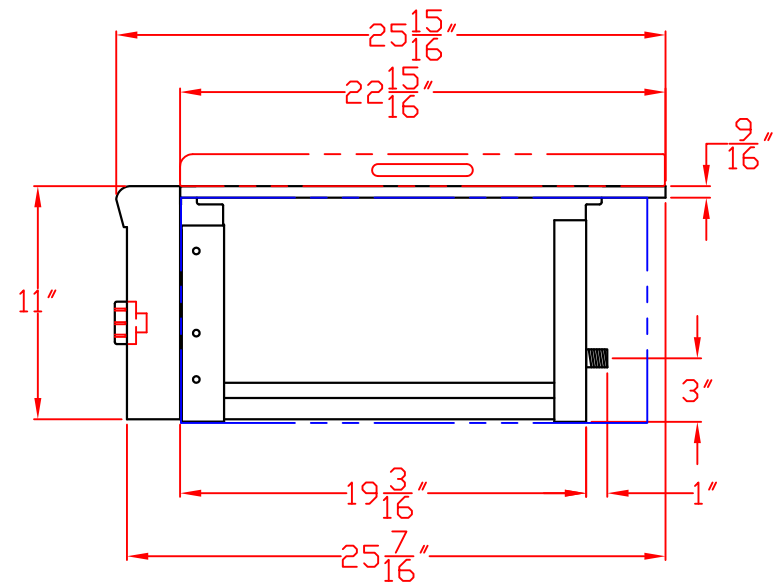
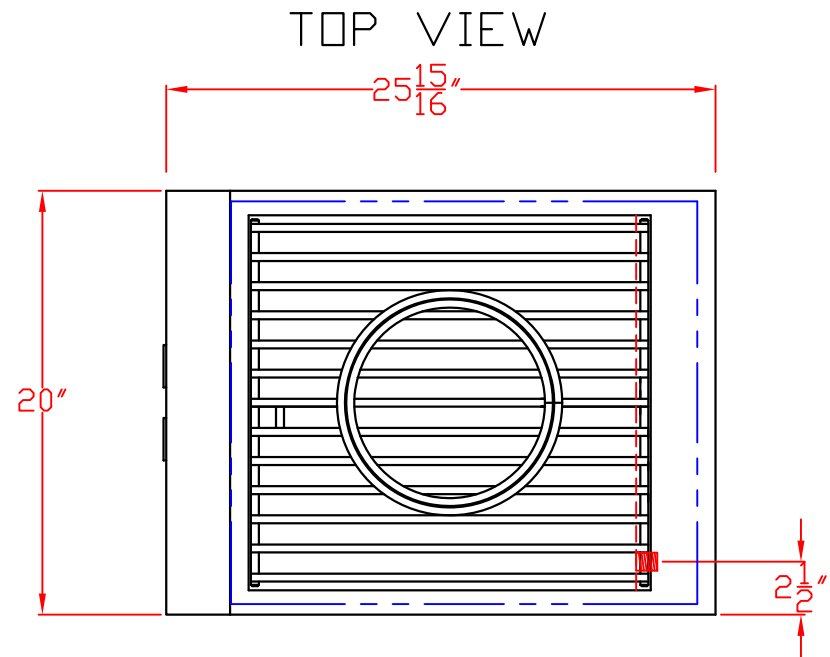
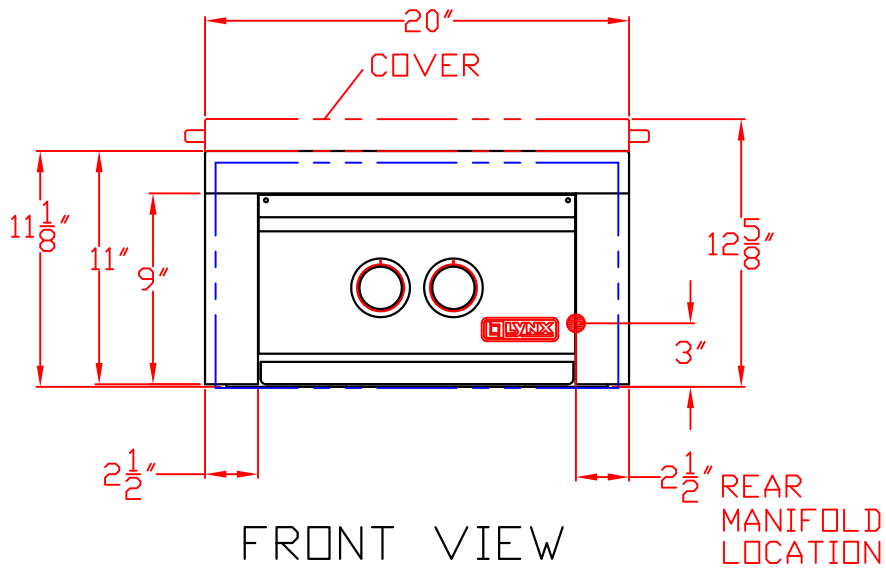
SIDE VIEW



1/20/10

LYNX POWER BURNER LPB W/ DIMENSIONS

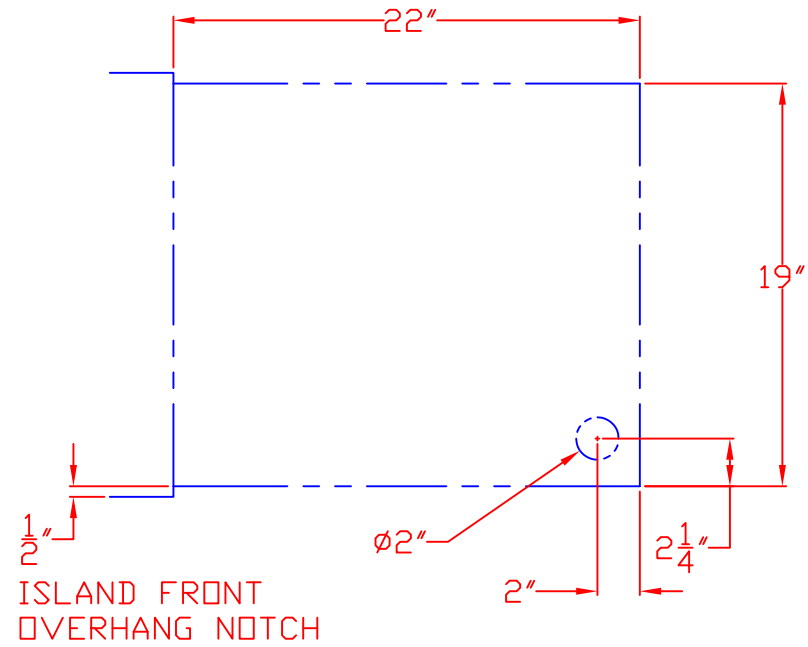
ISLAND CUTOUT
IN BLUE



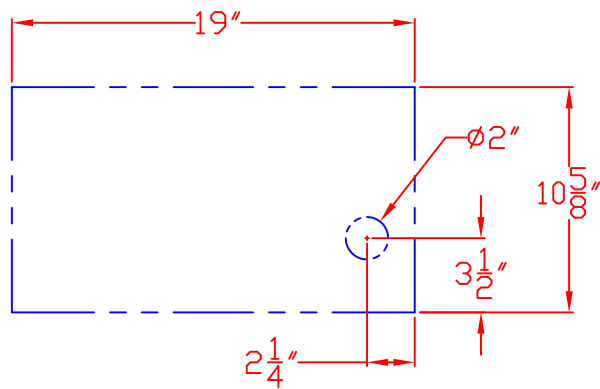
1/20/10

LYNX POWER BURNER
LPB
ISLAND CUTOUT

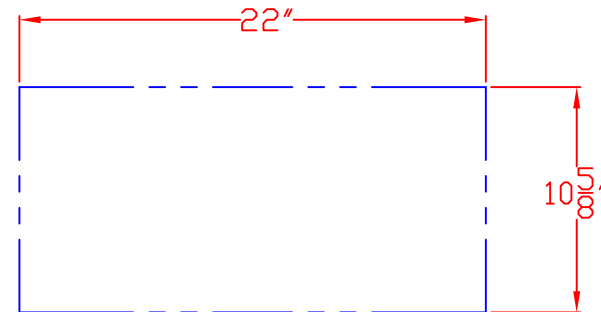
TOP VIEW



FRONT VIEW



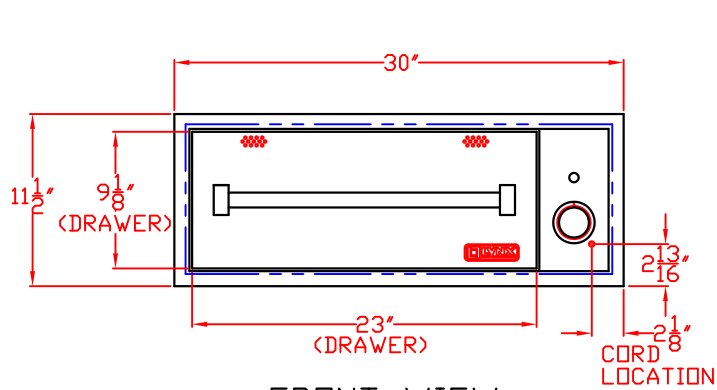
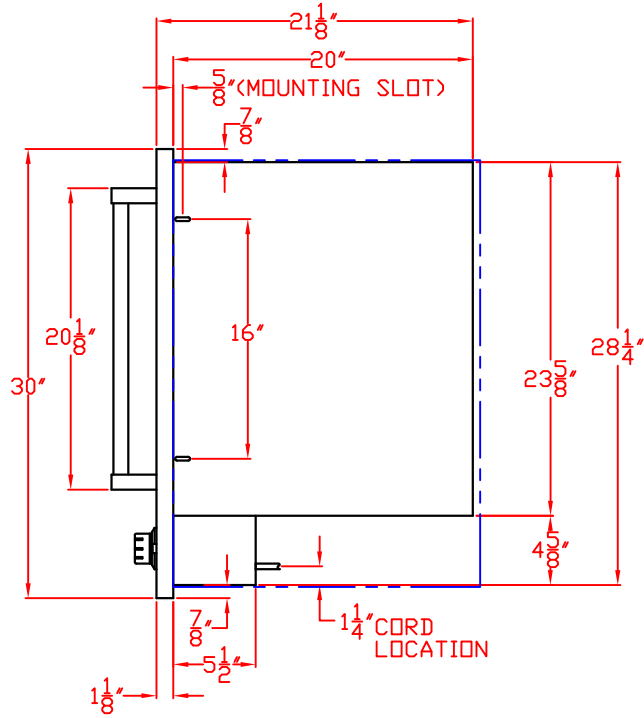
SIDE VIEW



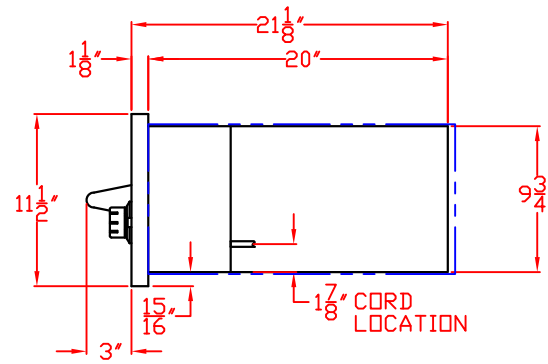
LYNX 30 IN. WARMING DRAWER
MODEL L30WD
W/ DIMENSIONS

ISLAND CUTOUT
IN BLUE

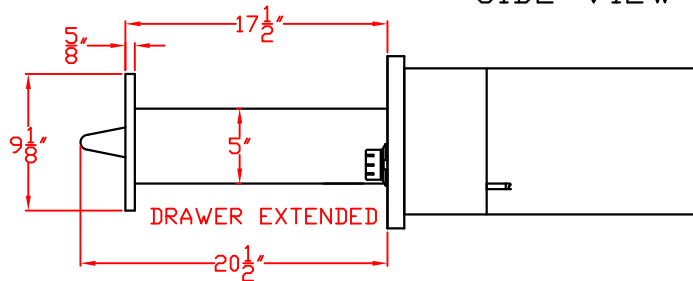
TOP VIEW



FRONT VIEW



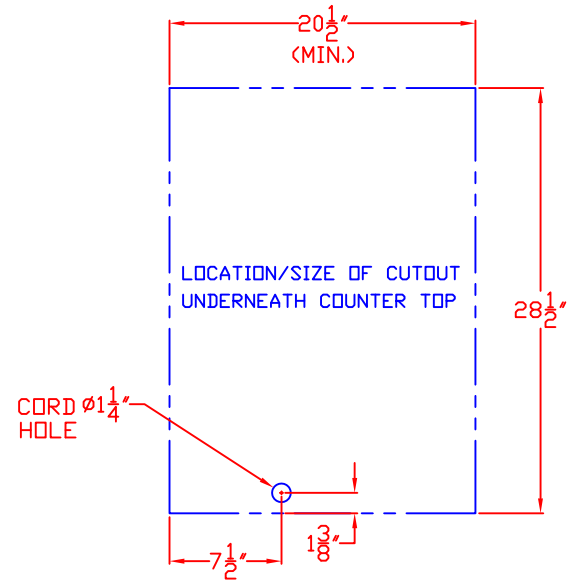
SIDE VIEW



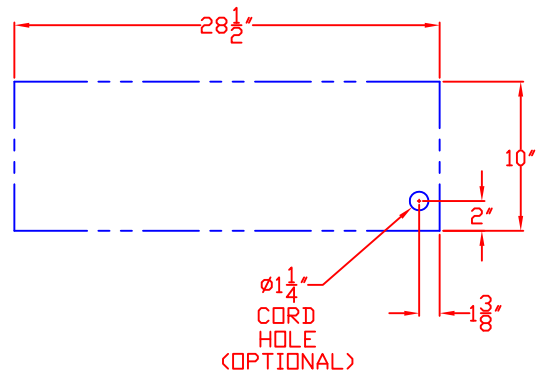
DRAWER EXTENDED

LYNX 30 IN. WARMING DRAWER
MODEL L30WD
ISLAND CUTOUT

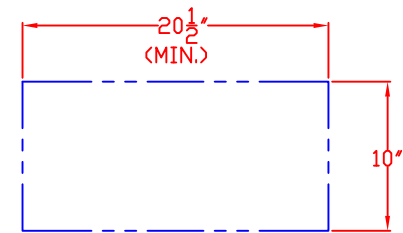
TOP VIEW



FRONT VIEW

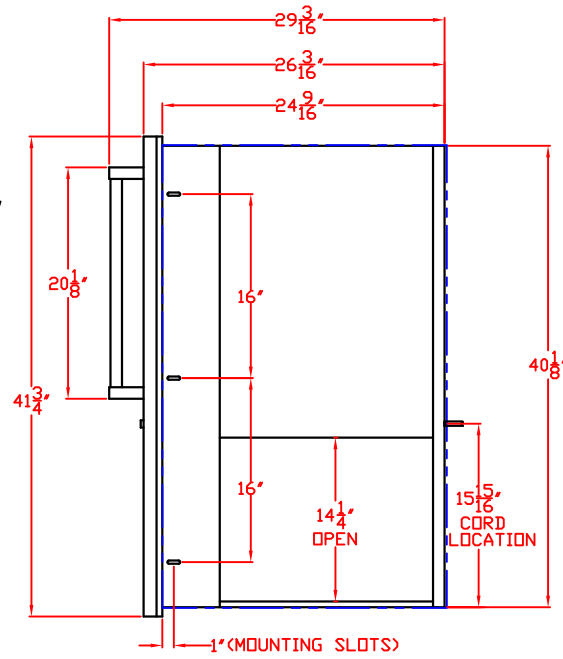


SIDE VIEW

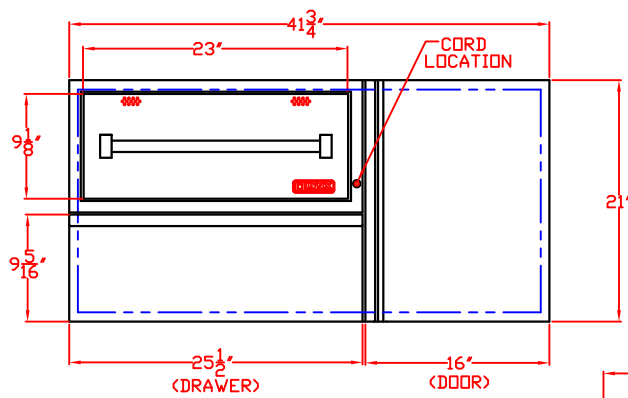


42 IN. CONVENIENCE CENTER
AND WARMING DRAWER
MODEL L42CC
WITH DIMENSIONS

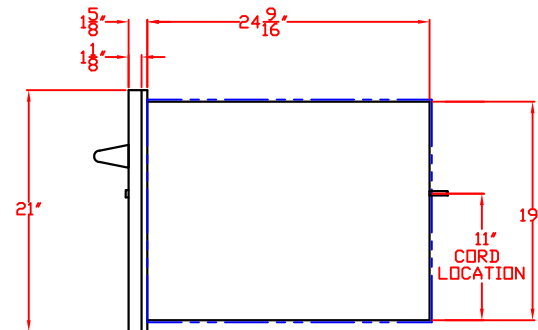
TOP VIEW



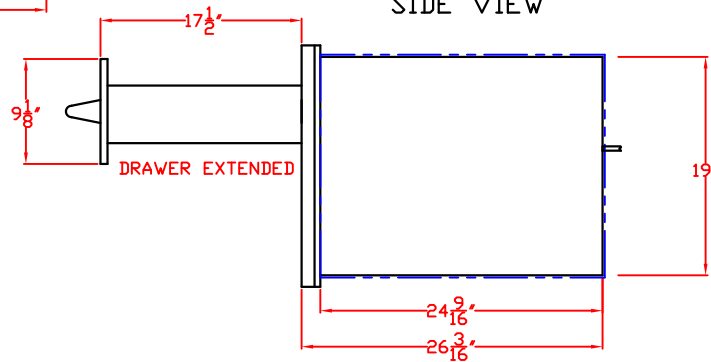
ISLAND CUTOUT
IN BLUE



FRONT VIEW

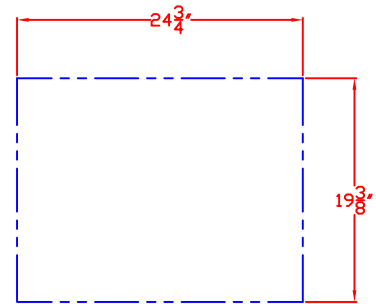
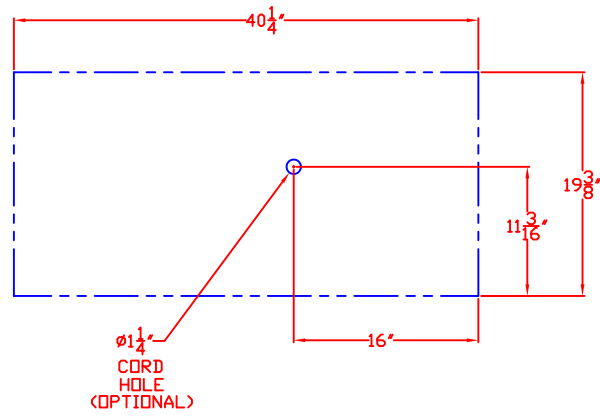
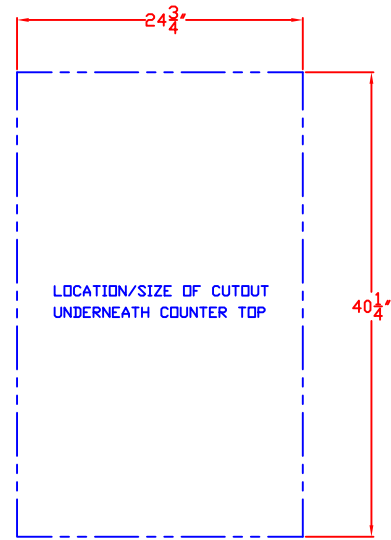


SIDE VIEW



DRAWER EXTENDED

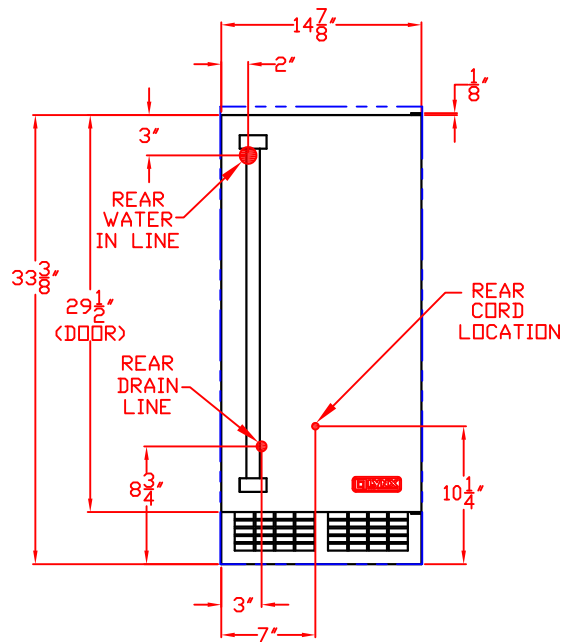
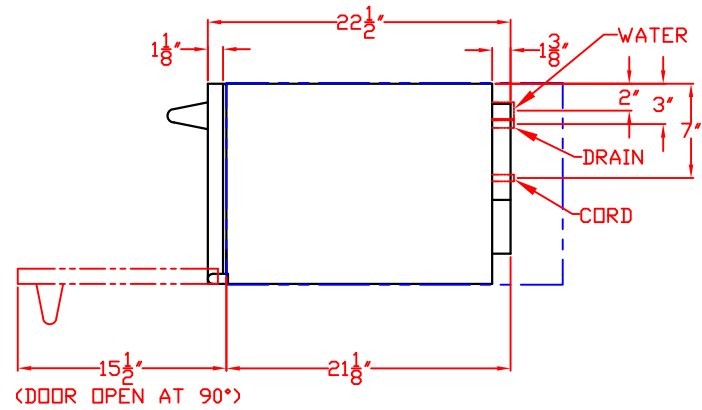
LYNX 42 IN. CONVENIENCE CENTER
AND WARMING DRAWER
MODEL L42CC
ISLAND CUTOUT



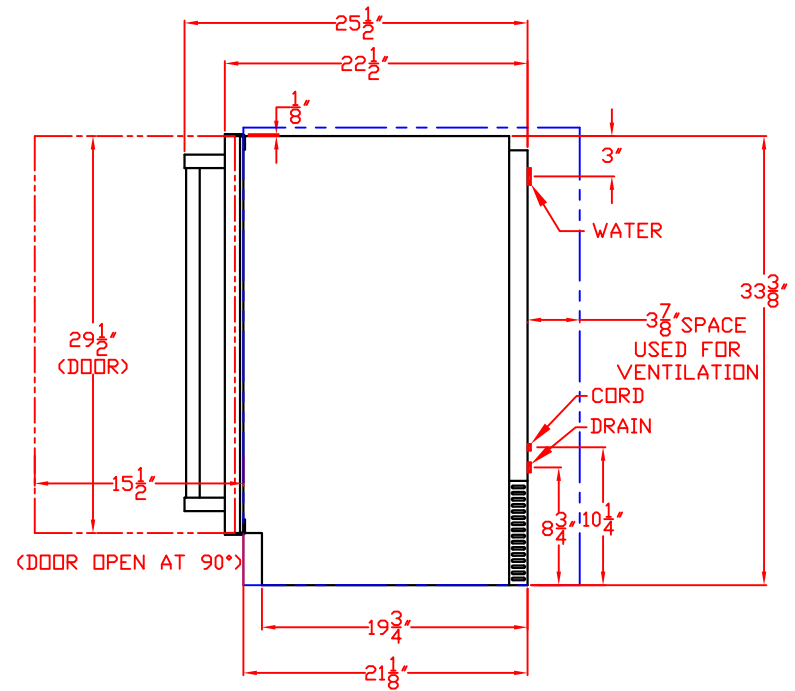
LYNX 15" OUTDOOR ICE MACHINE
 MODEL L15ICE
 WITH DIMENSIONS

ISLAND CUTOUT
 IN BLUE

TOP VIEW



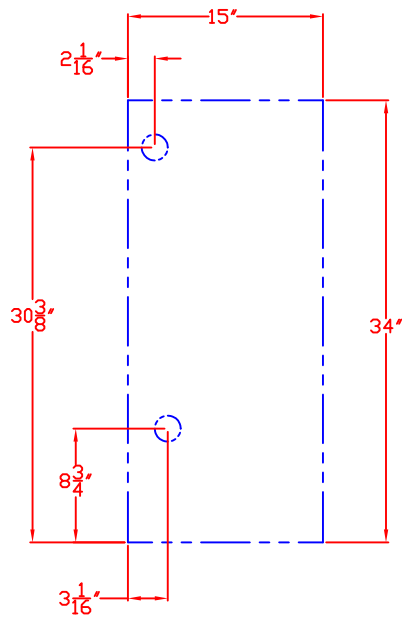
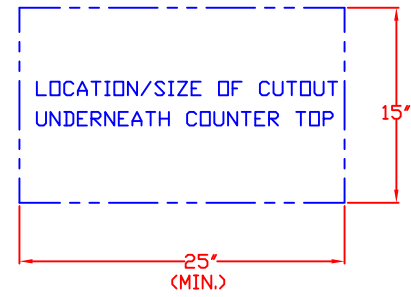
FRONT VIEW



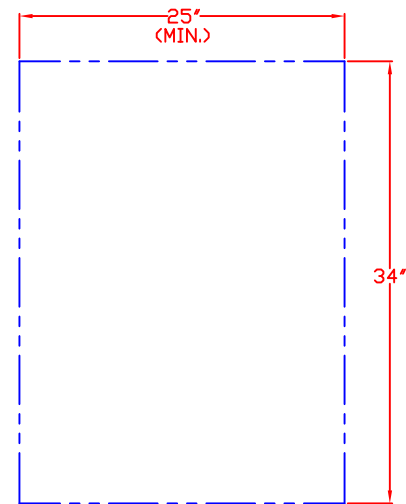
SIDE VIEW

LYNX 15" OUTDOOR ICE MACHINE
MODEL L15ICE
ISLAND CUTOUT

TOP VIEW



FRONT VIEW



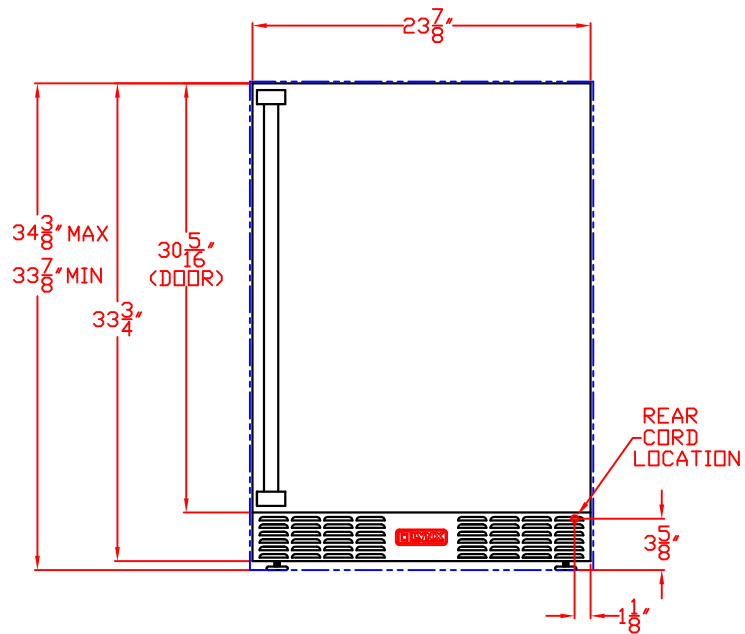
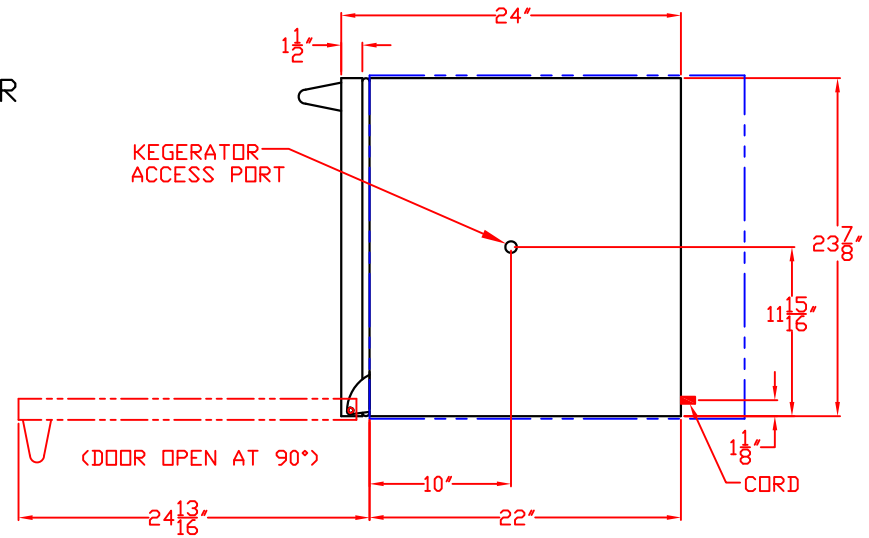
SIDE VIEW

LYNX 24" OUTDOOR REFRIGERATOR
 MODEL L24CF
 WITH DIMENSIONS

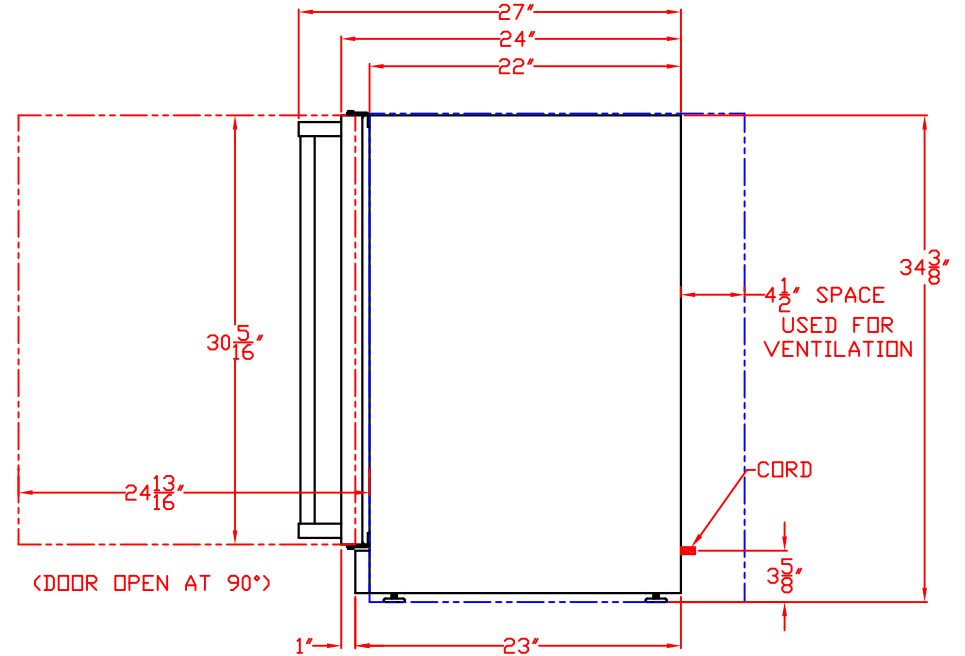
ISLAND CUTOUT
 IN BLUE

NOTE: FOR THIS ILLUSTRATION,
 REFRIGERATOR HAS BEEN SET
 AT MAXIMUM HEIGHT OF 34-3/8"

TOP VIEW



FRONT VIEW

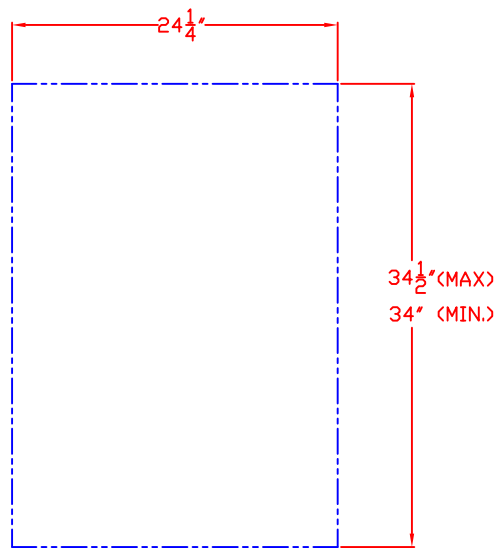
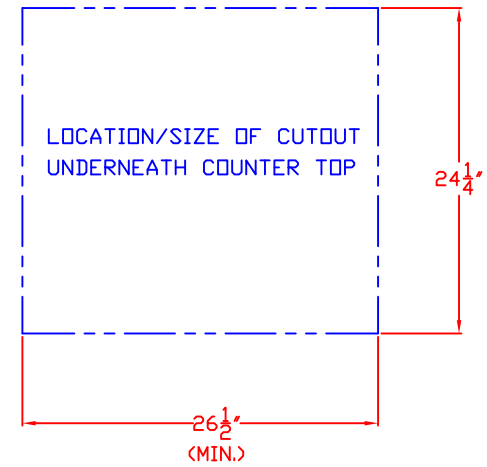


SIDE VIEW

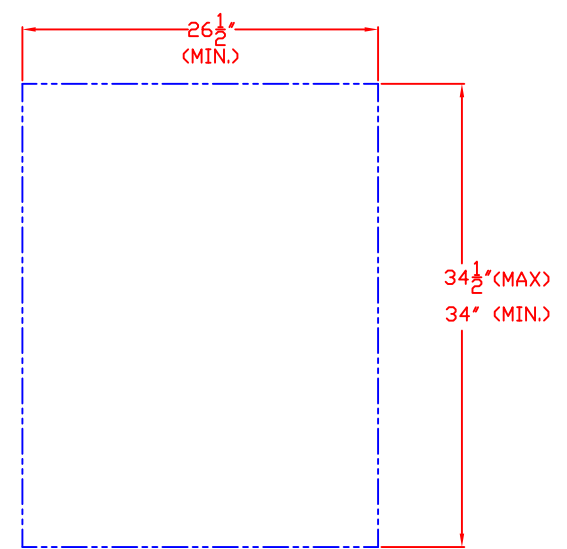
FRONT VIEW

LYNX 24" OUTDOOR REFRIGERATOR
MODEL L24CF
ISLAND CUTOUT

TOP VIEW



FRONT VIEW



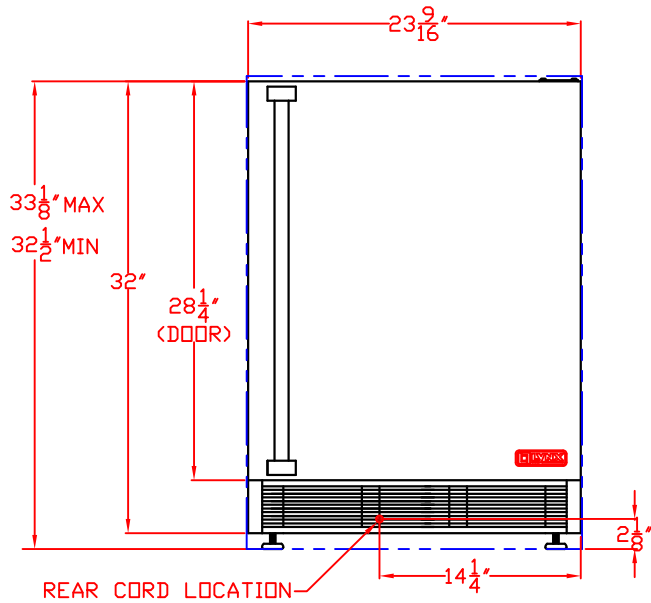
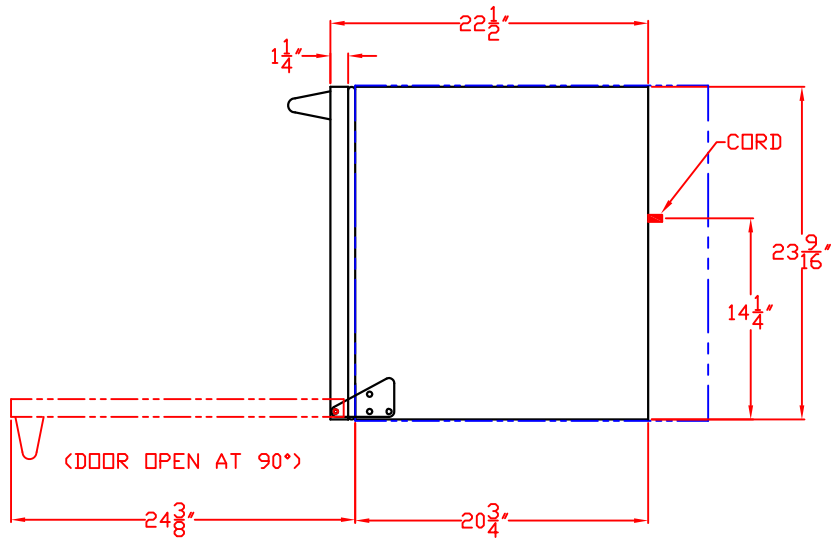
SIDE VIEW

LYNX 24" OUTDOOR REFRIGERATOR
 MODEL L24REF
 WITH DIMENSIONS

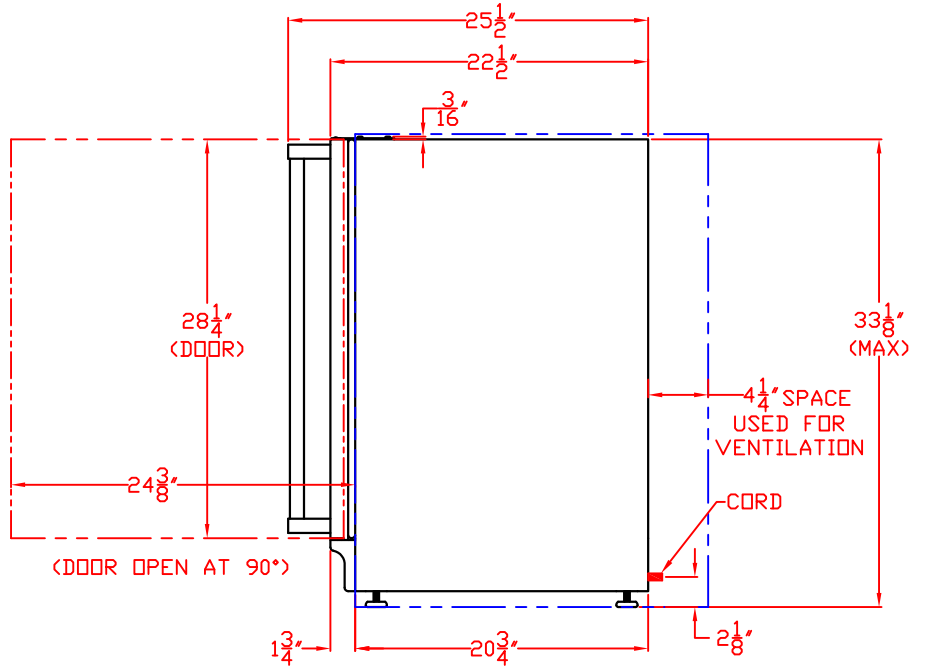
ISLAND CUTOUT
 IN BLUE

NOTE: FOR THIS ILLUSTRATION,
 REFRIGERATOR HAS BEEN SET
 AT MAXIMUM HEIGHT OF 33-1/8"

TOP VIEW



FRONT VIEW

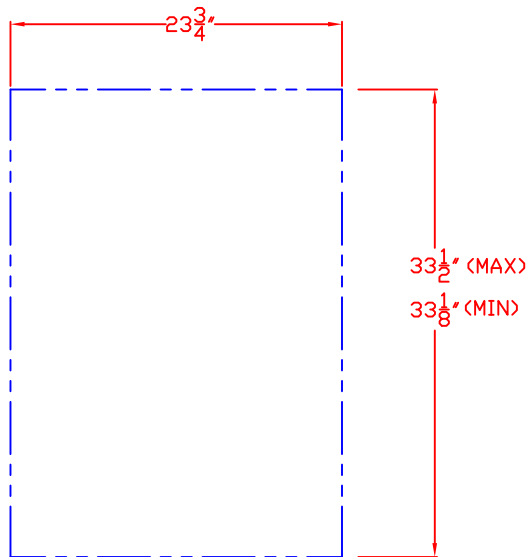
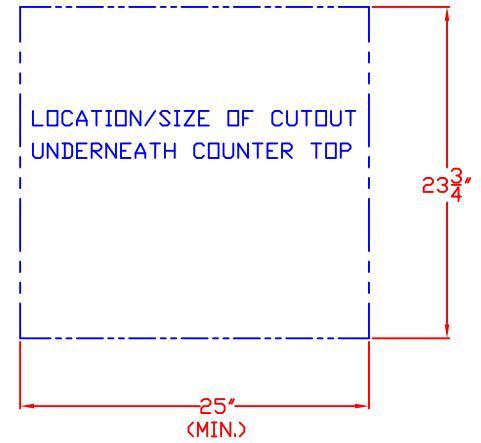


SIDE VIEW

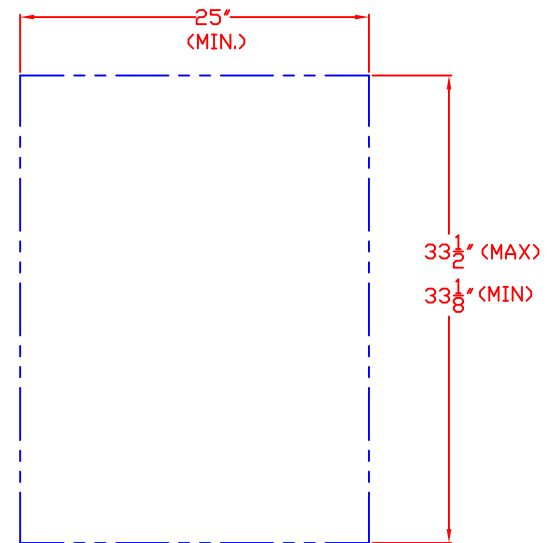
1/20/10

LYNX 24" OUTDOOR REFRIGERATOR
MODEL L24REF
ISLAND CUTOUT

TOP VIEW



FRONT VIEW



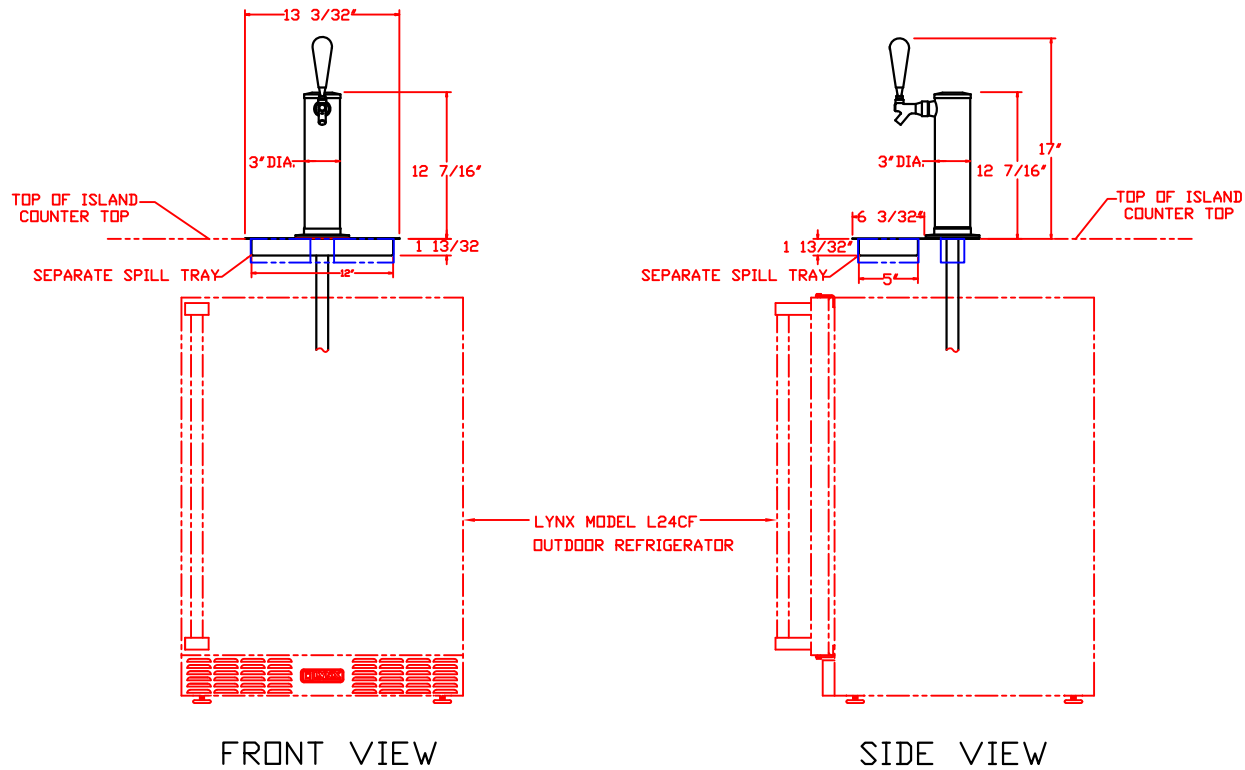
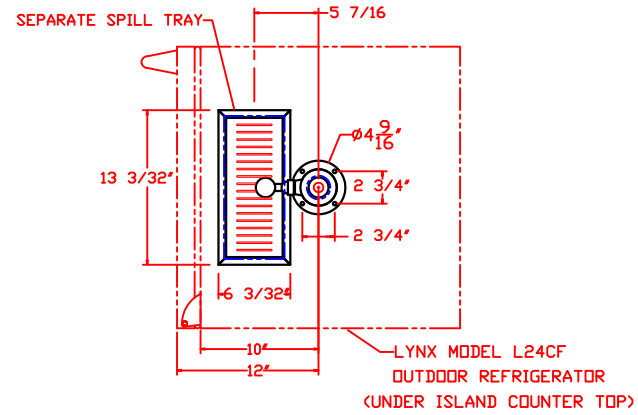
SIDE VIEW

1/20/10

LYNX BEVERAGE TOWER KIT MODEL L24TWR W/ DIMENSIONS

ISLAND CUTOUT
IN BLUE

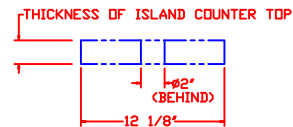
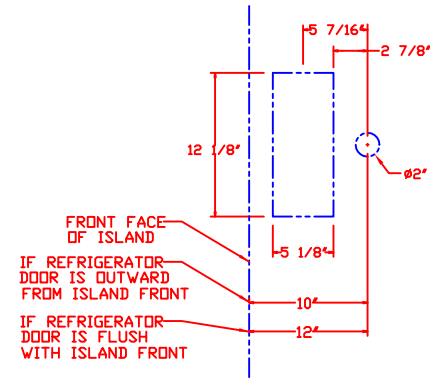
TOP VIEW



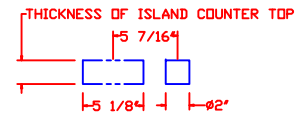
1/20/10

LYNX BEVERAGE TOWER KIT
MODEL L24TWR
ISLAND CUTOUT

TOP VIEW



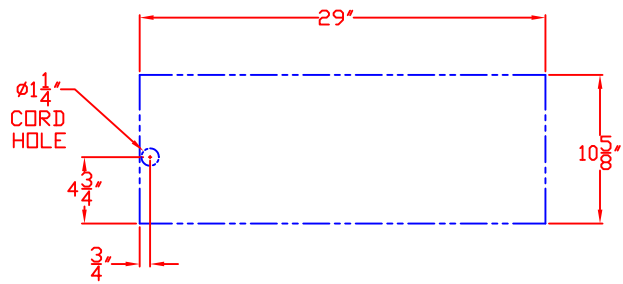
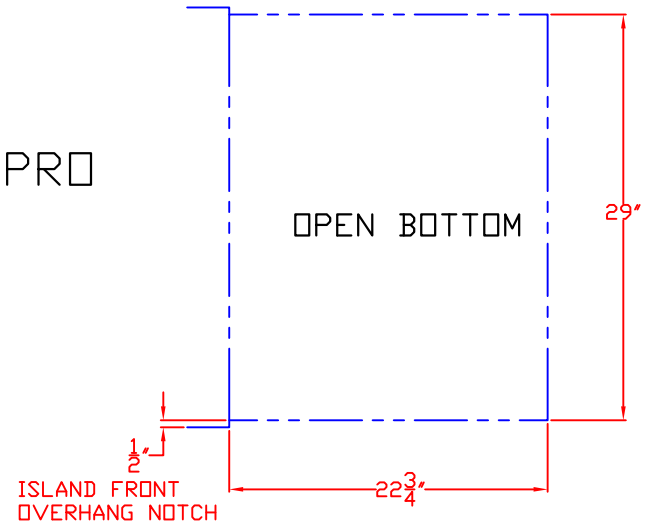
FRONT VIEW



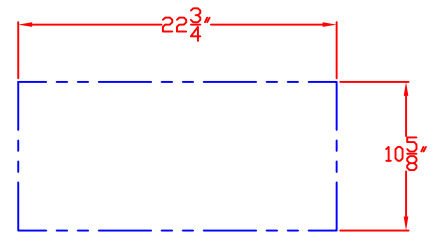
SIDE VIEW

LYNX COCKTAIL PRO
CS30-1
ISLAND CUTOOT

TOP VIEW



FRONT VIEW

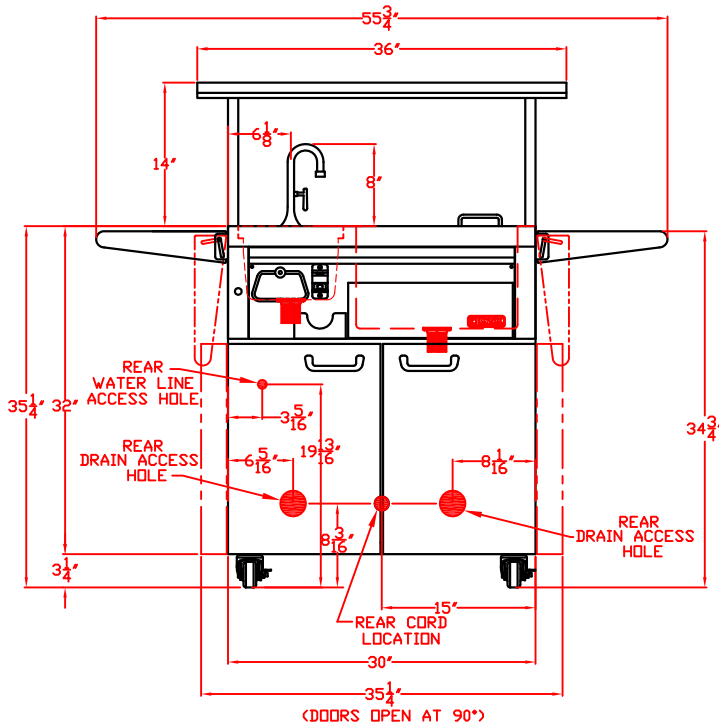
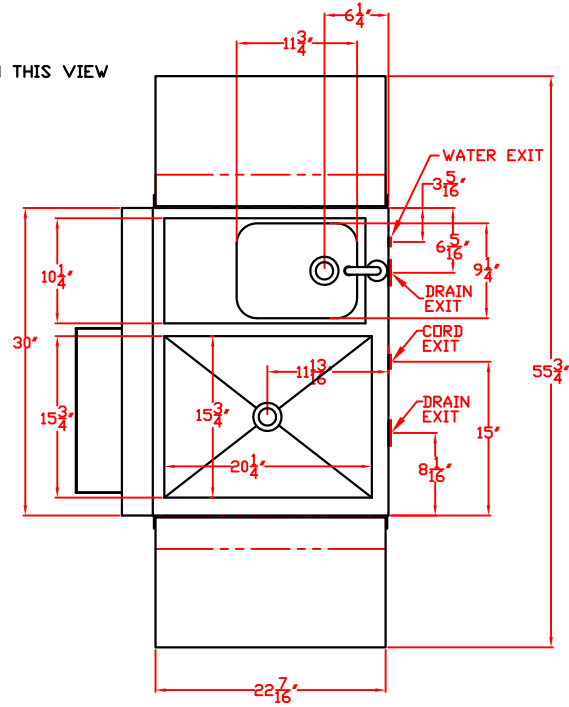


SIDE VIEW

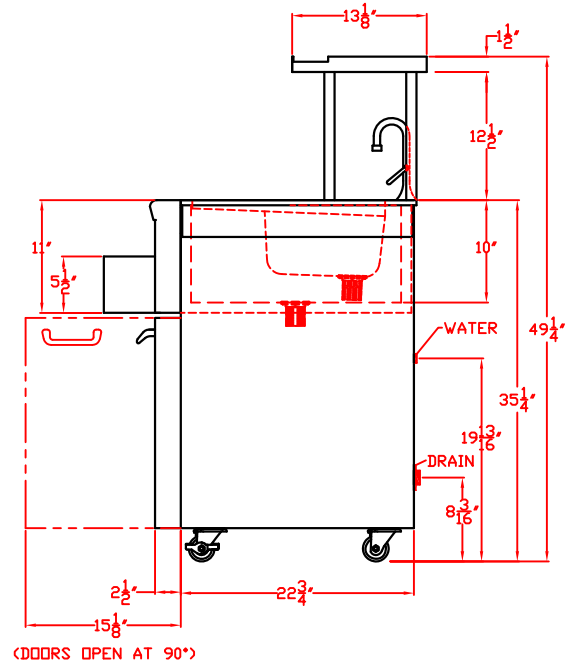
LYNX COCKTAIL PRO
FREESTANDING
CS30F-1
LYNX SERVING SHELF
CSPS
WITH DIMENSIONS

SHELF REMOVED ON THIS VIEW

TOP VIEW



FRONT VIEW

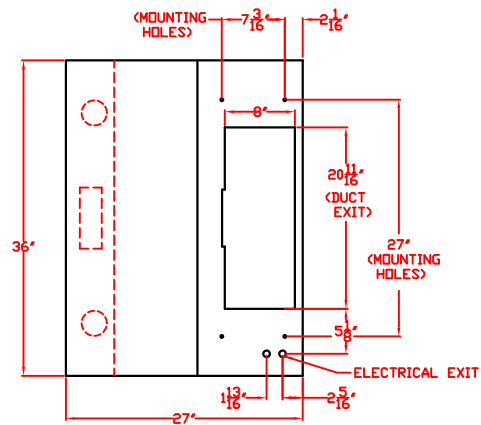


SIDE VIEW

1/20/10

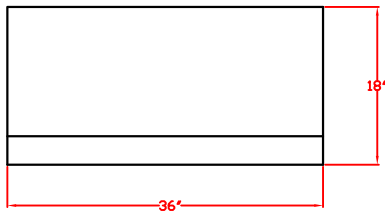
LYNX 36 IN. OUTDOOR VENT HOOD
MODEL LOH36
W/ DIMENSIONS

TOP VIEW
(DUCT EXIT SHOWN IN TOP LOCATION)

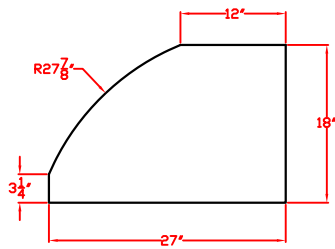


NOTE: THIS PRODUCT USES A REMOVABLE/ REVERSABLE PLATE WHICH LOCATES THE DUCT EXIT HOLE AND ELECTRICAL EXIT HOLES EITHER AT THE TOP OF THE HOOD OR AT THE REAR OF THE HOOD.

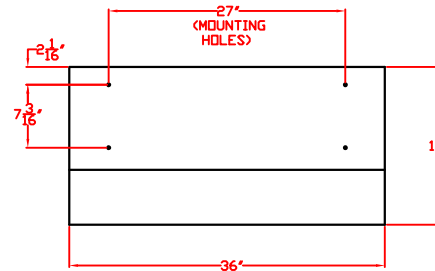
THE REAR DRAWING VIEWS SHOW EACH LOCATION. THE TOP VIEW SHOWS THESE HOLES IN THE TOP LOCATION.



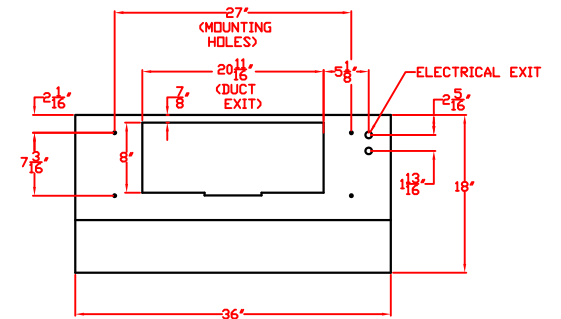
FRONT VIEW



SIDE VIEW



REAR VIEW
(DUCT EXIT IN TOP LOCATION)

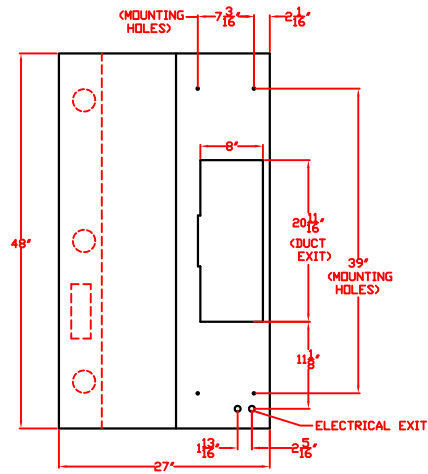


REAR VIEW
(DUCT EXIT SHOWN IN BACK LOCATION)

1/20/10

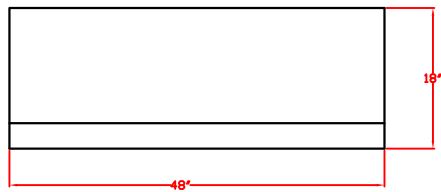
LYNX 48 IN. OUTDOOR VENT HOOD
MODEL LOH48
W/ DIMENSIONS

TOP VIEW
(DUCT EXIT SHOWN IN TOP LOCATION)

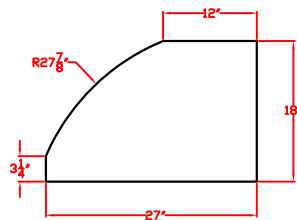


NOTE: THIS PRODUCT USES A REMOVABLE/ REVERSABLE PLATE WHICH LOCATES THE DUCT EXIT HOLE AND ELECTRICAL EXIT HOLES EITHER AT THE TOP OF THE HOOD OR AT THE REAR OF THE HOOD.

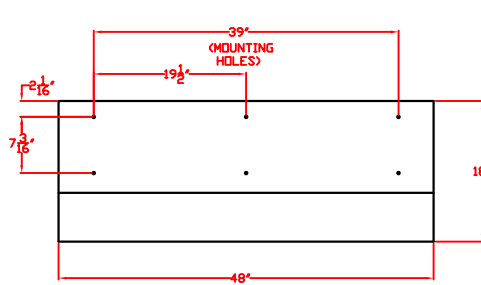
THE REAR DRAWING VIEWS SHOW EACH LOCATION. THE TOP VIEW SHOWS THESE HOLES IN THE TOP LOCATION.



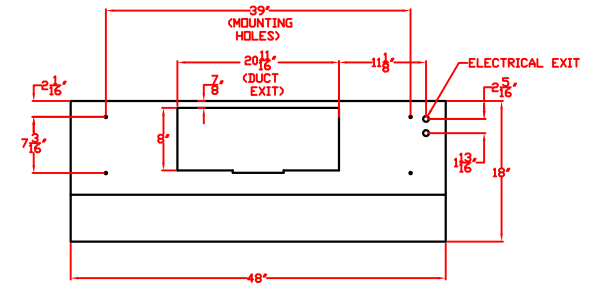
FRONT VIEW



SIDE VIEW



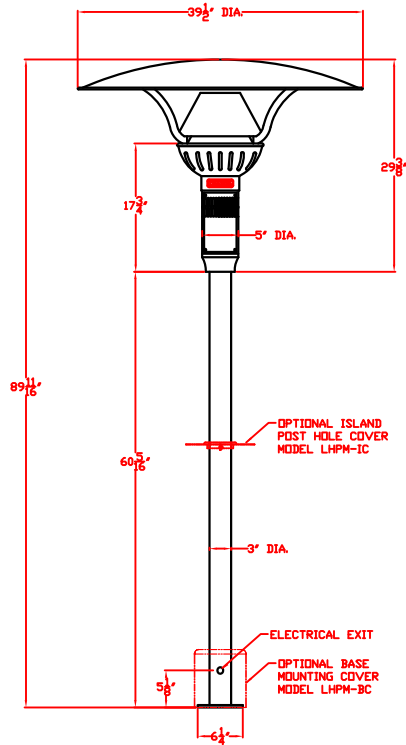
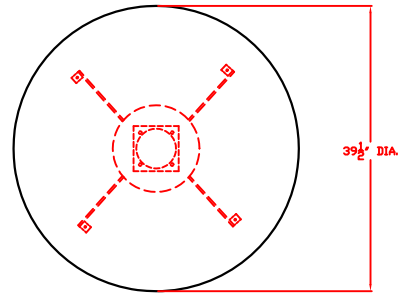
REAR VIEW
(DUCT EXIT IN TOP LOCATION)



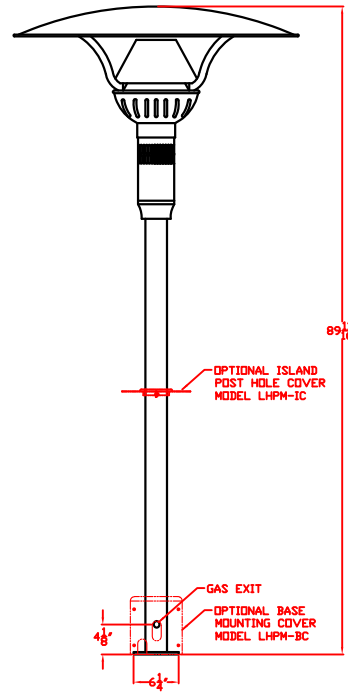
REAR VIEW
(DUCT EXIT SHOWN IN BACK LOCATION)

LYNX INFRARED OUTDOOR PATIO HEATER
MODEL LHPM
W/ DIMENSIONS

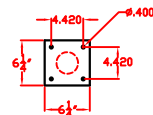
TOP VIEW



FRONT VIEW



REAR VIEW

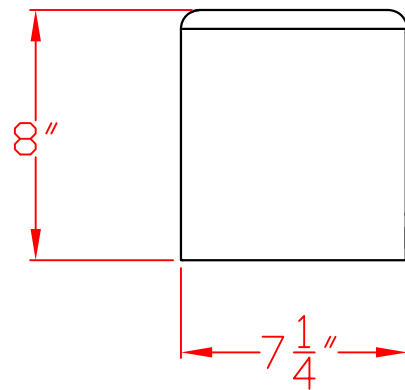
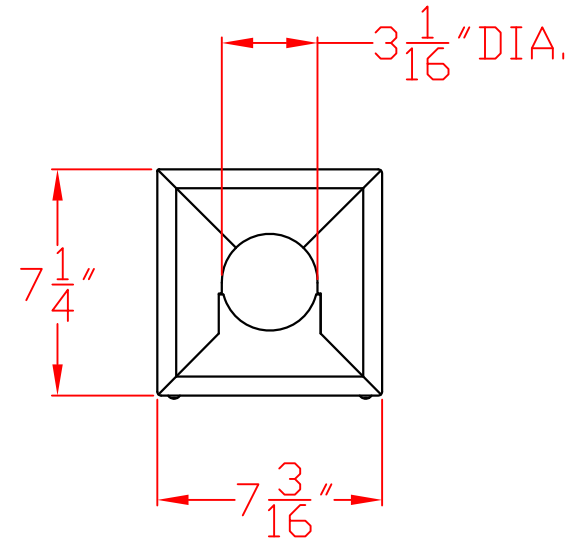


BOTTOM FOOTPRINT

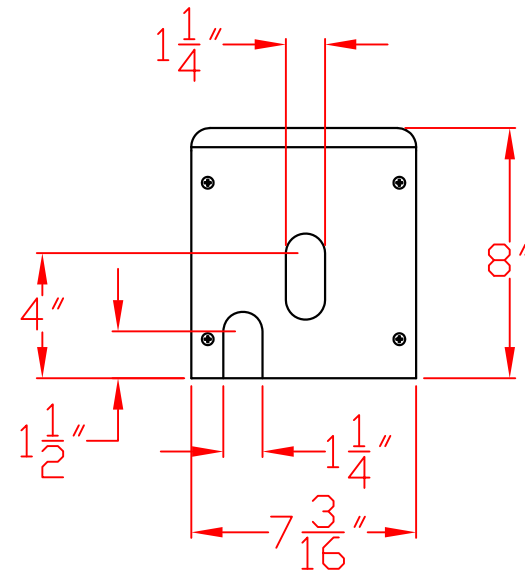
1/20/10

LYNX BASE MOUNTING COVER
MODEL LHPM-BC
W/DIMENSIONS

TOP VIEW



FRONT VIEW



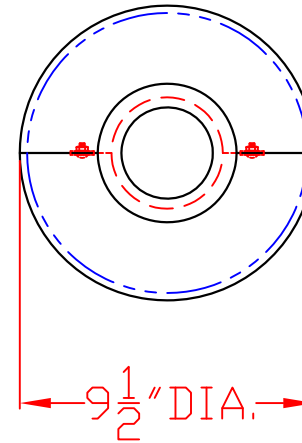
SIDE VIEW

1/20/10

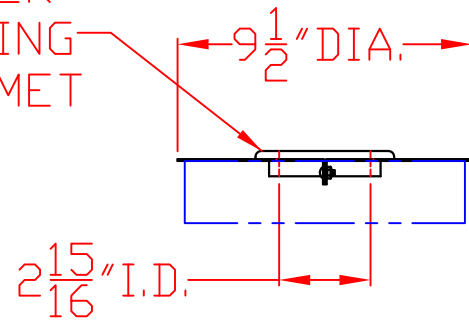
LYNX ISLAND POST HOLE COVER
MODEL LHPM-IC
W/DIMENSIONS

ISLAND CUTOUT
IN BULE

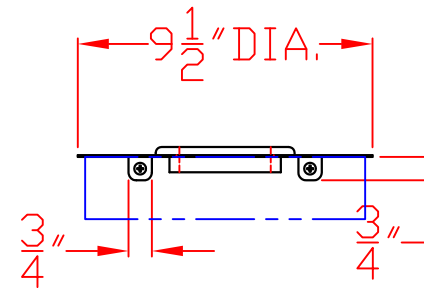
TOP VIEW



RUBBER
SEALING
GROMMET



FRONT VIEW

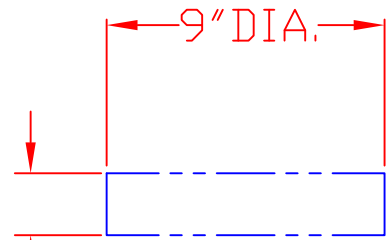
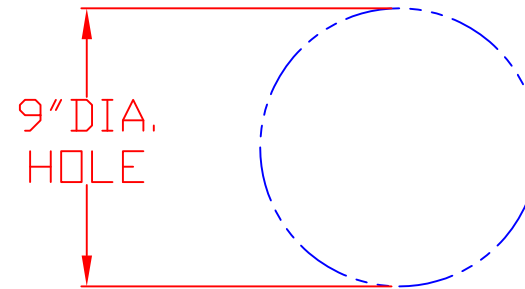


SIDE VIEW

1/20/10

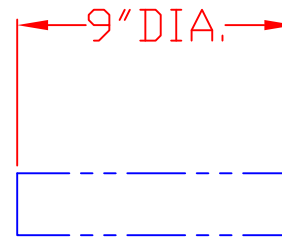
LYNX ISLAND POST HOLE COVER
MODEL LHPM-IC
ISLAND CUTOUT

TOP VIEW



THICKNESS OF ———
ISLAND COUNTER TOP.
REQUIRES INTERNAL
CLEARANCE TO GROUND

FRONT VIEW

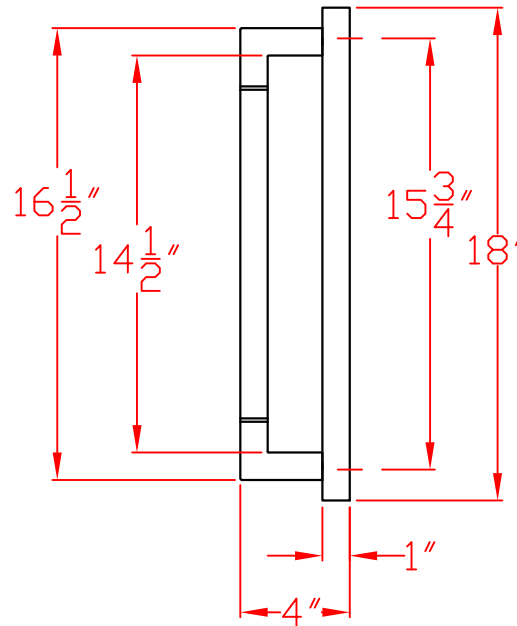


SIDE VIEW

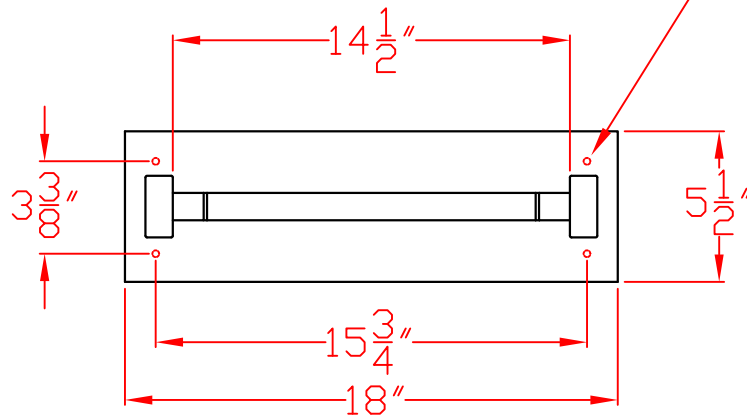
1/20/10

LYNX TOWEL BAR
MODEL LTB
W/ DIMENSIONS

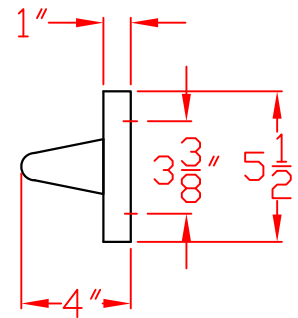
TOP VIEW



REAR HIDDEN
MOUNTING HOLES



FRONT VIEW



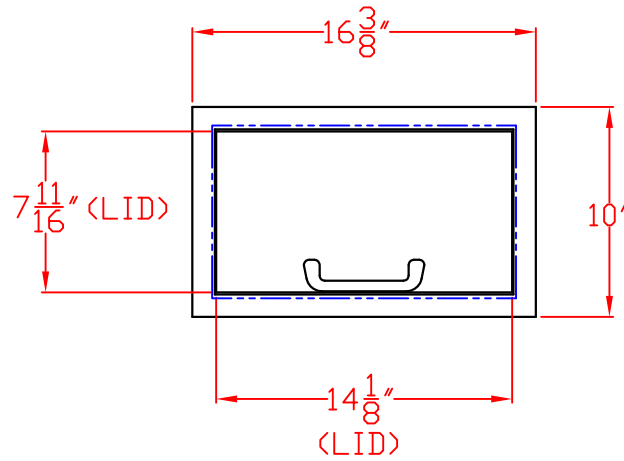
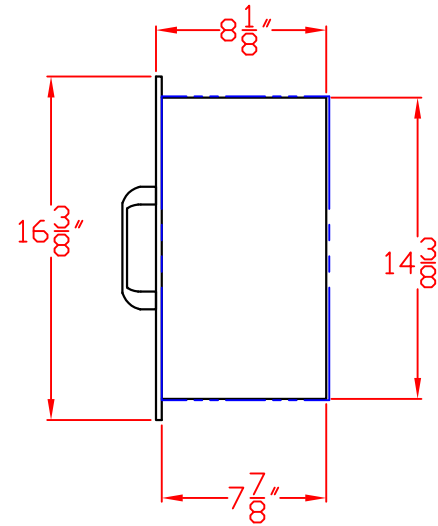
SIDE VIEW

1/20/10

LYNX TOWEL DISPENSER
MODEL L16TWL
WITH DIMENSIONS

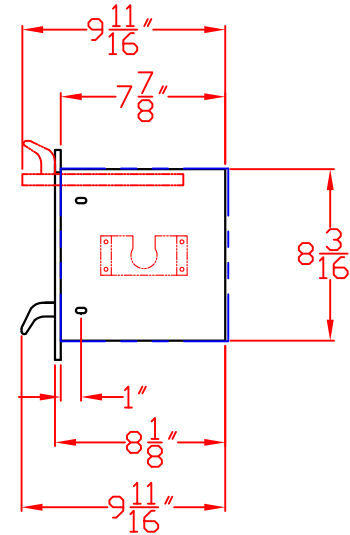
ISLAND CUTOUT
IN BLUE

TOP VIEW



FRONT VIEW

(LID OPEN)



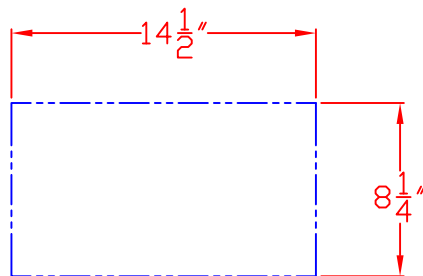
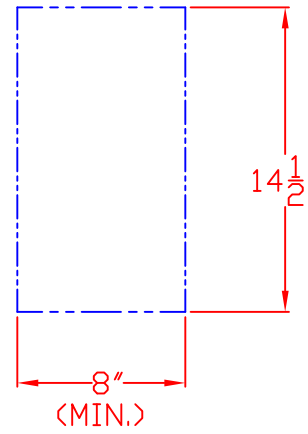
SIDE VIEW

1/20/10

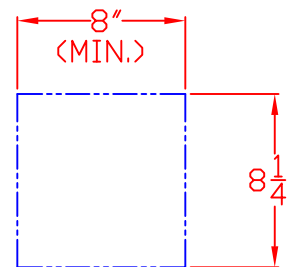
TOP VIEW

LYNX TOWEL DISPENSER
MODEL L16TWL
ISLAND CUTOUT

LOCATION/SIZE OF CUTOUT
UNDERNEATH COUNTER TOP



FRONT VIEW



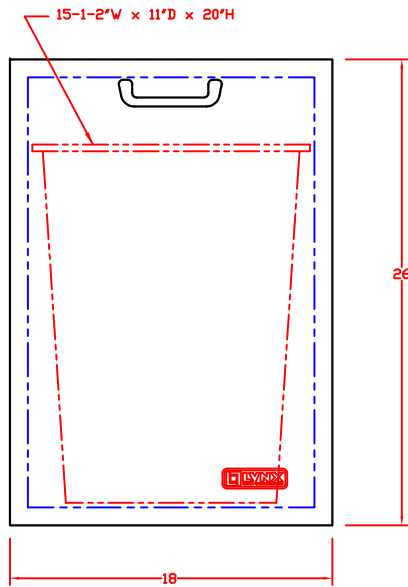
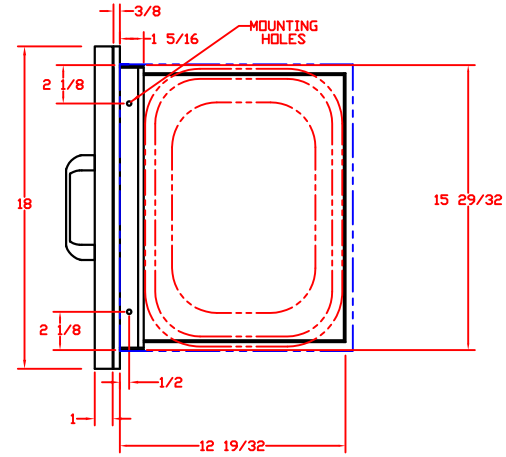
SIDE VIEW

1/20/10

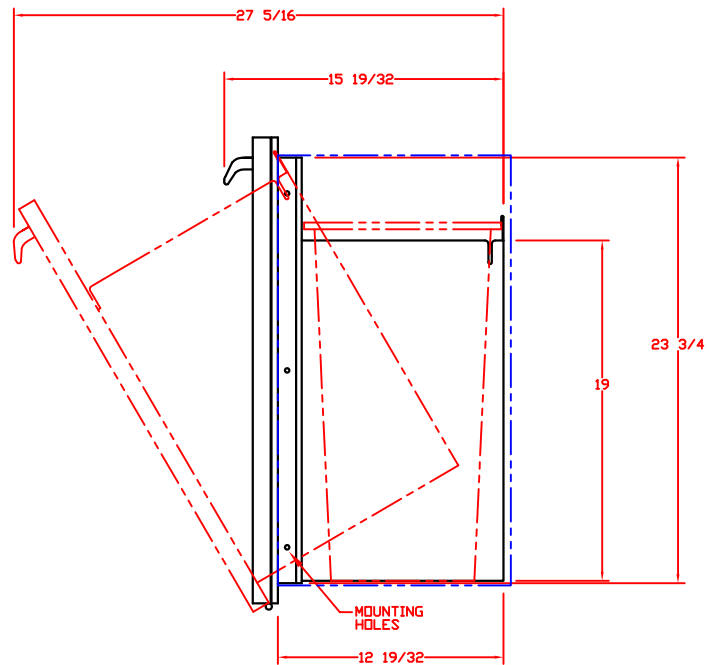
LYNX TRASH CENTER
MODEL L18TC
W/ DIMENSIONS

ISLAND CUTOUT
IN BLUE

TOP VIEW



FRONT VIEW

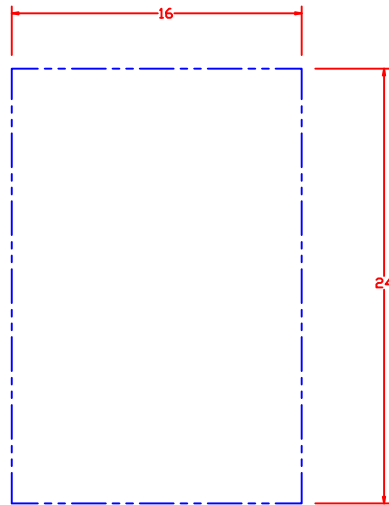
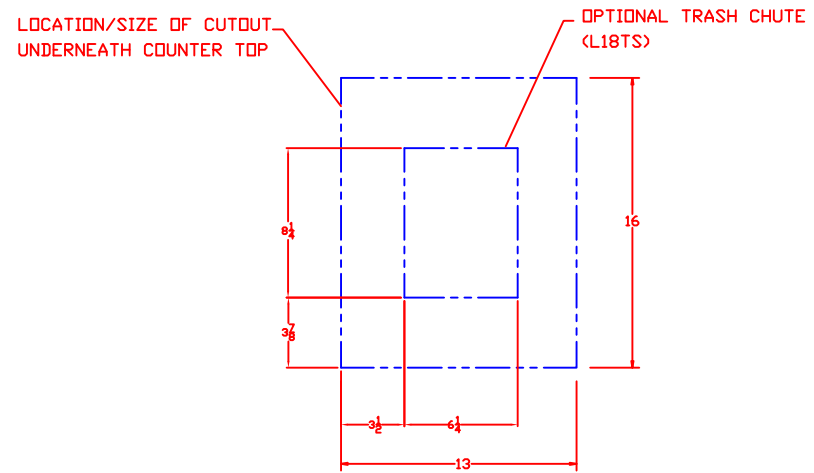


SIDE VIEW

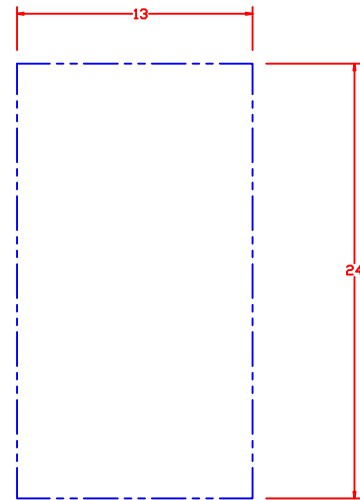
1/20/10

LYNX TRASH CENTER
MODEL L18TC
ISLAND CUTOUT

TOP VIEW



FRONT VIEW



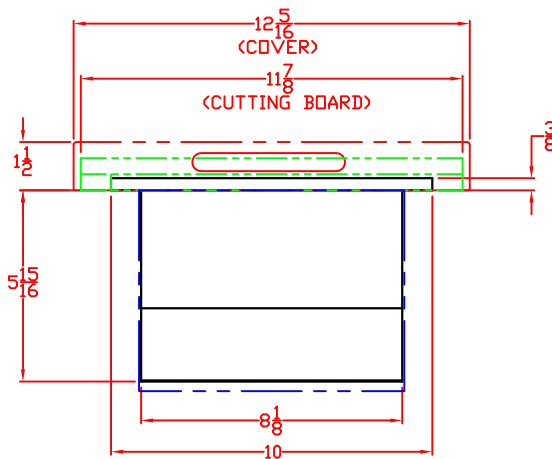
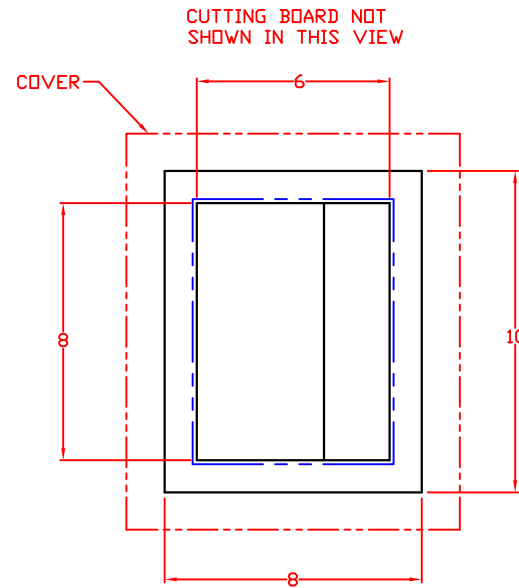
SIDE VIEW

1/20/10

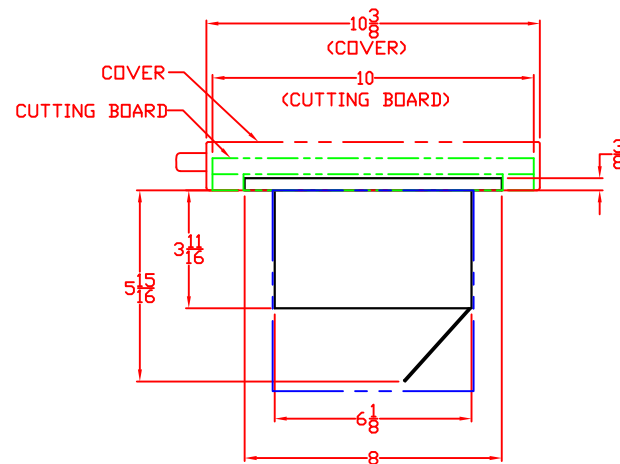
LYNX TRASH CHUTE
MODEL L18TS
W/ DIMENSIONS

ISLAND CUTOUT
IN BLUE

TOP VIEW



FRONT VIEW

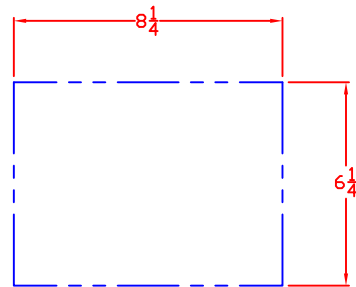
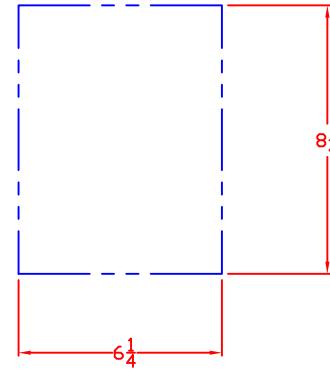


SIDE VIEW

1/20/10

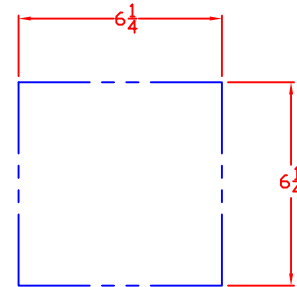
LYNX TRASH CHUTE
MODEL L18TS

TOP VIEW



LOCATION/SIZE OF CUTOUT
BEHIND ISLAND FRONT

FRONT VIEW



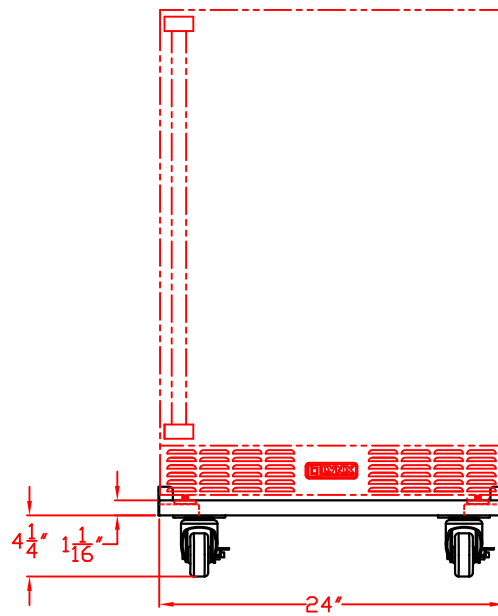
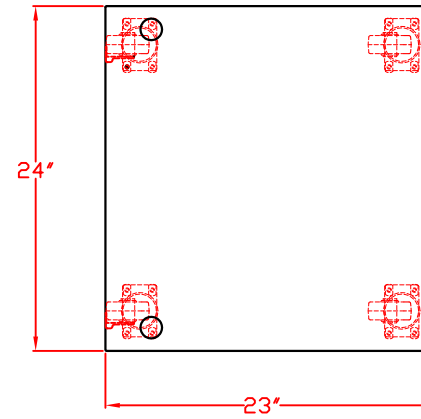
LOCATION/SIZE OF CUTOUT
BEHIND ISLAND SIDE

SIDE VIEW

1/20/10

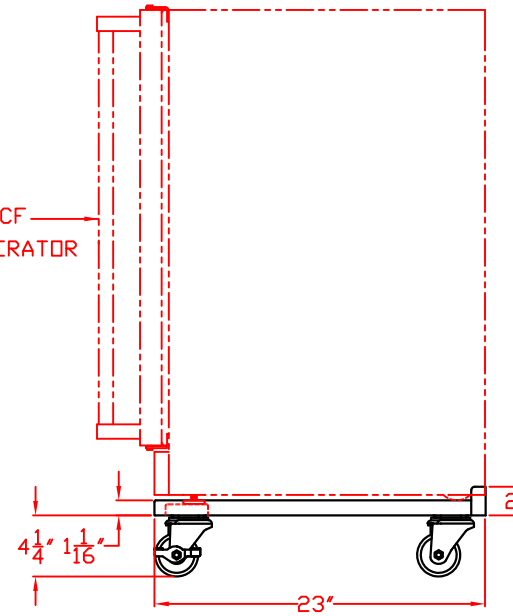
LYNX CASTER KIT
MODEL L24CST
W/DIMENSIONS

TOP VIEW



FRONT VIEW

←LYNX MODEL L24CF
OUTDOOR REFRIGERATOR

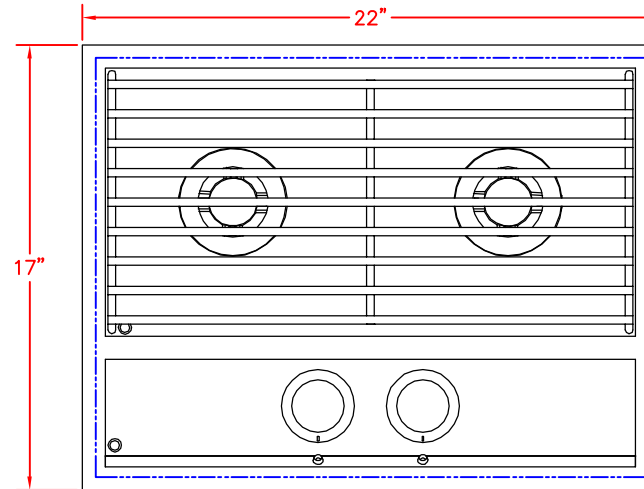


SIDE VIEW

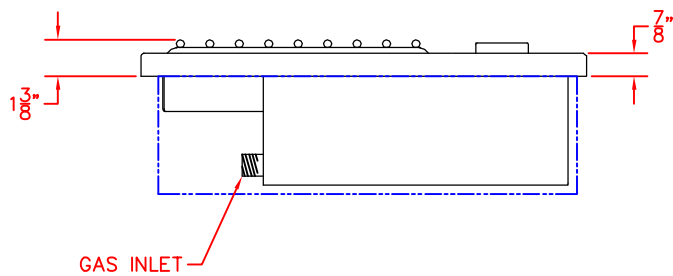
05/15/12

LYNX SIDE BURNER
DOUBLE- LSB502
W/ DIMENSIONS

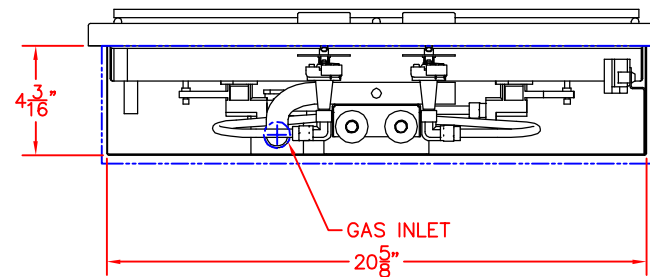
ISLAND CUTOUT
IN BLUE



TOP VIEW



SIDE VIEW

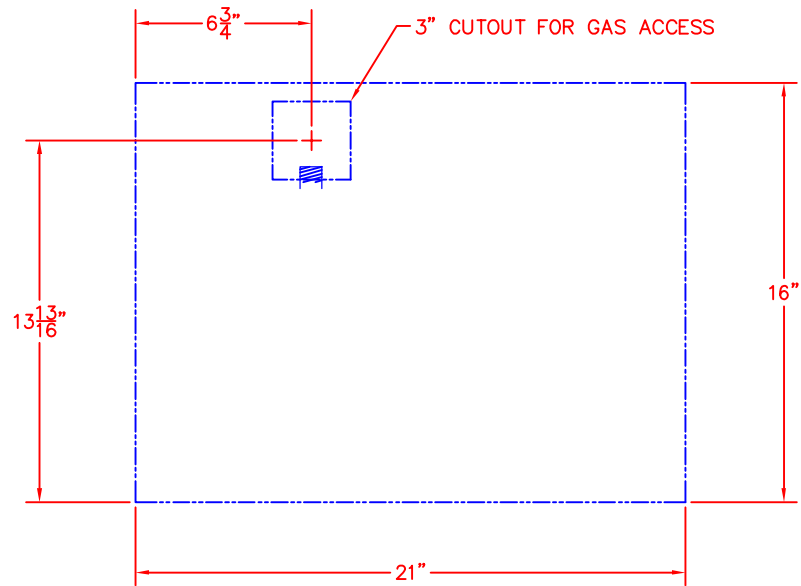


FRONT VIEW

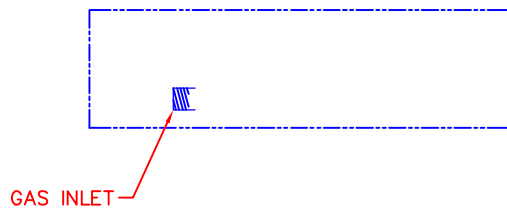
05/15/12

LYNX SIDE BURNER DOUBLE- LSB502 W/ DIMENSIONS

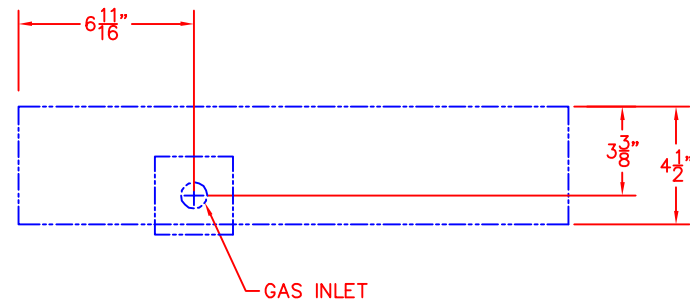
ISLAND CUTOUT
IN BLUE



TOP VIEW



SIDE VIEW

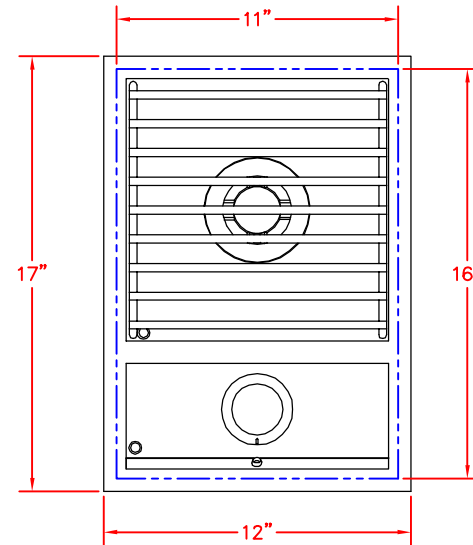


FRONT VIEW

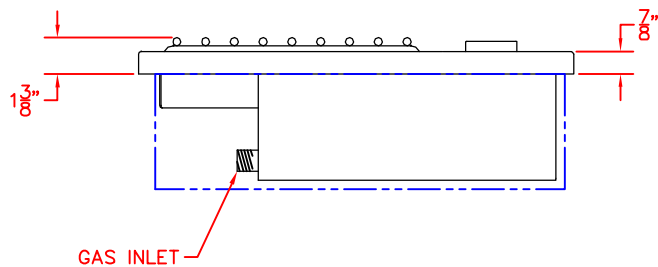
05/15/12

LYNX SIDE BURNER SINGLE— LSB501 W/ DIMENSIONS

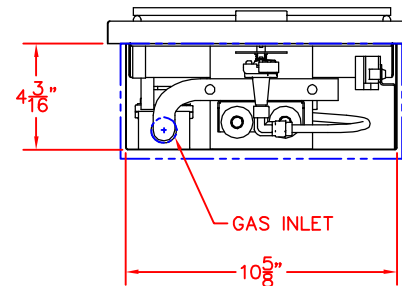
ISLAND CUTOUT
IN BLUE



TOP VIEW



SIDE VIEW

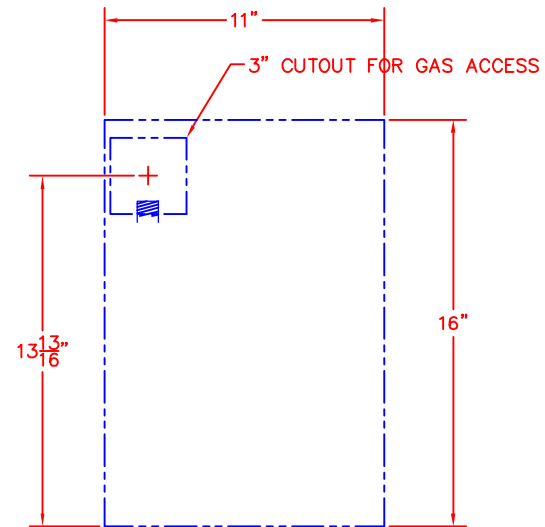


FRONT VIEW

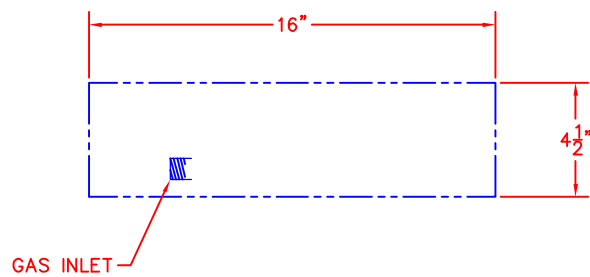
05/15/12

LYNX SIDE BURNER
SINGLE- LSB501
W/ DIMENSIONS

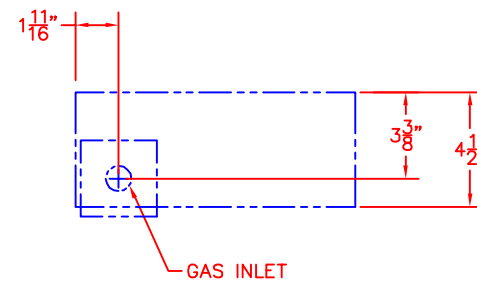
ISLAND CUTOUT
IN BLUE



TOP VIEW



SIDE VIEW



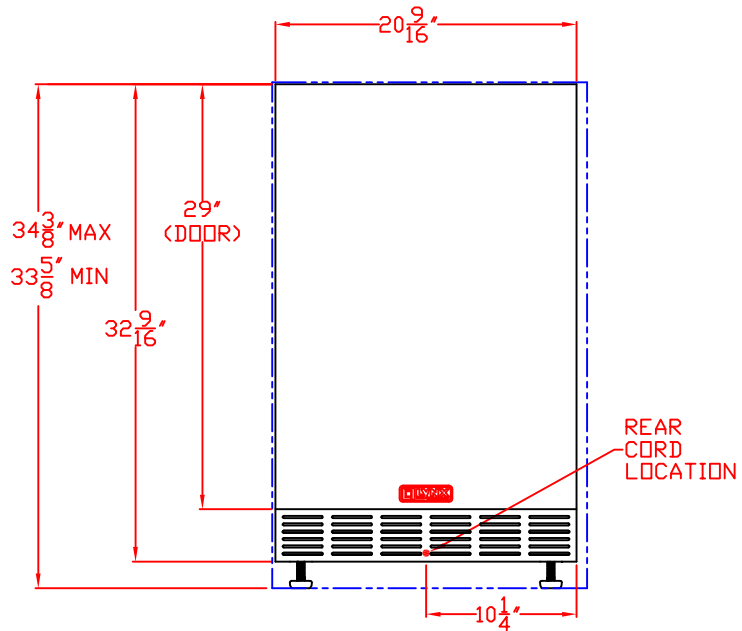
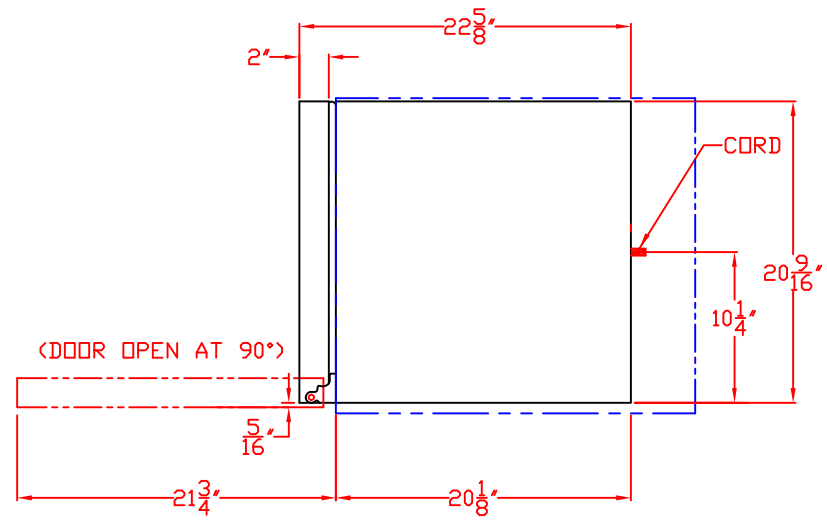
FRONT VIEW

LYNX 20" OUTDOOR REFRIGERATOR
 MODEL L500REF
 WITH DIMENSIONS

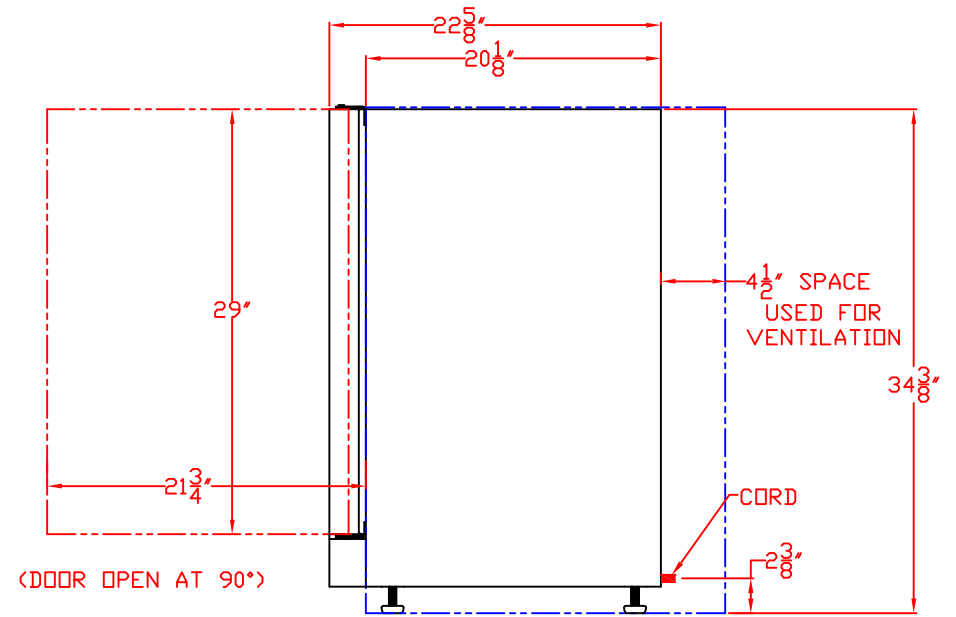
ISLAND CUTOUT
 IN BLUE

NOTE: FOR THIS ILLUSTRATION,
 REFRIGERATOR HAS BEEN SET
 AT MAXIMUM HEIGHT OF 34-3/8"

TOP VIEW



FRONT VIEW



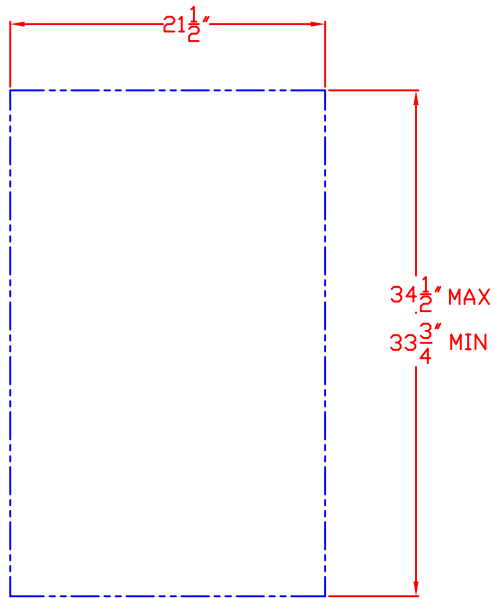
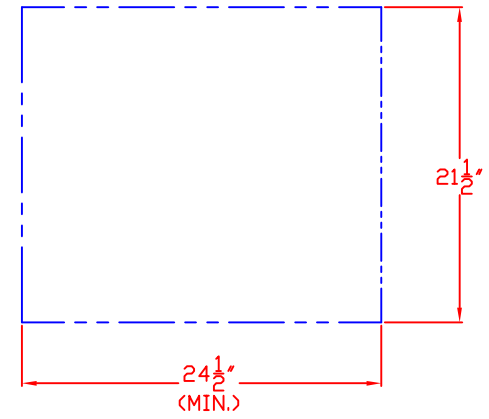
SIDE VIEW

4/12/12

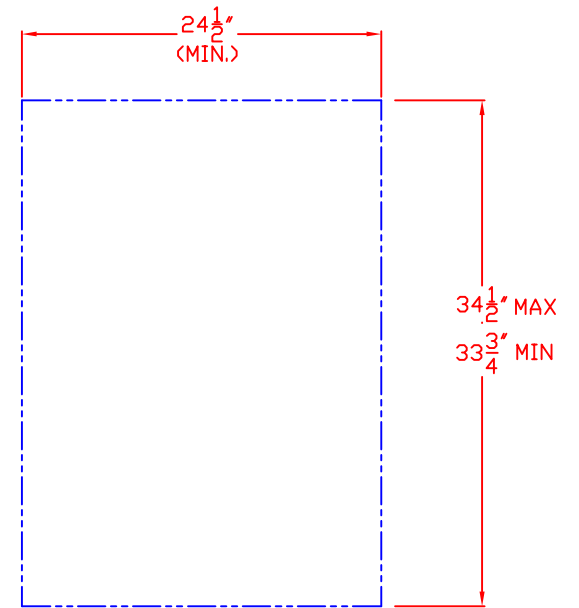
LYNX 20" OUTDOOR REFRIGERATOR
MODEL L500REF
ISLAND CUTOUT

ISLAND CUTOUT
IN BLUE

TOP VIEW



FRONT VIEW



SIDE VIEW