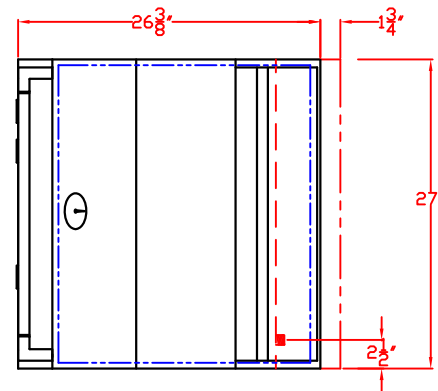
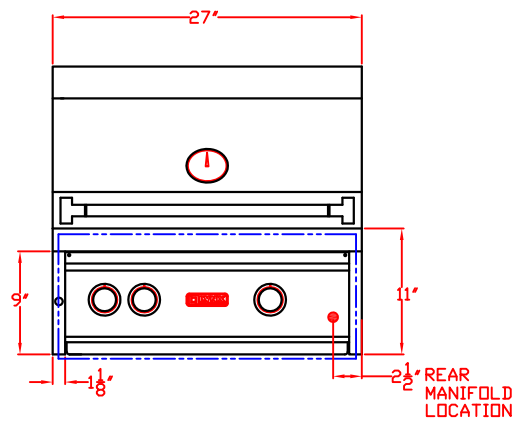


LYNX BUILT-IN 27"  
W/ DIMENSIONS  
ISLAND CUTOUT IN BLUE

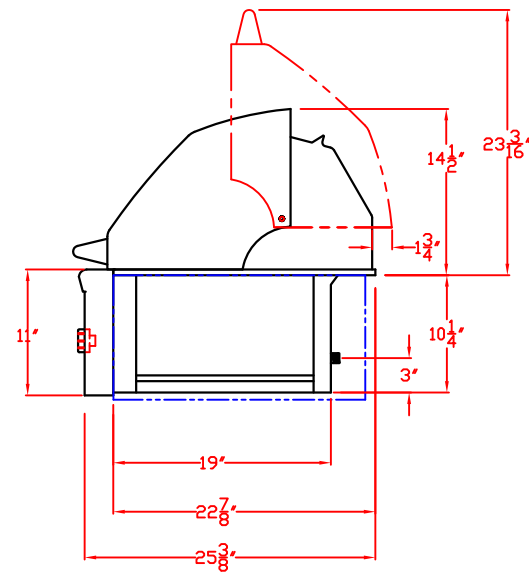
TOP VIEW



FRONT VIEW



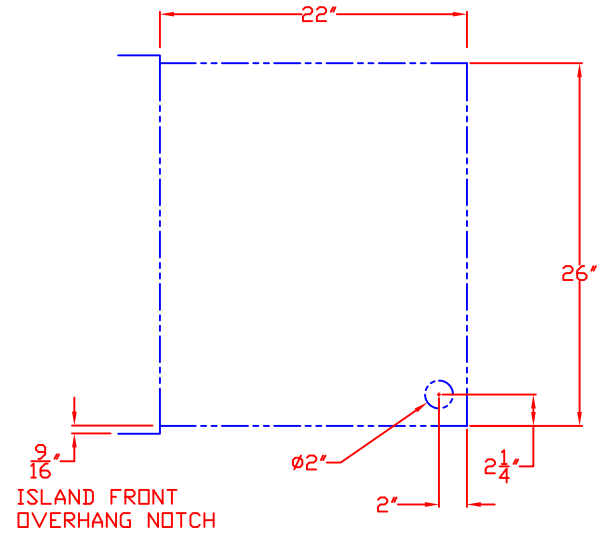
RIGHT SIDE VIEW



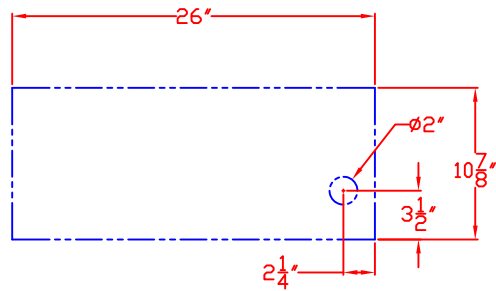
1/20/10

# LYNX BUILT-IN 27" ISLAND CUTOUT

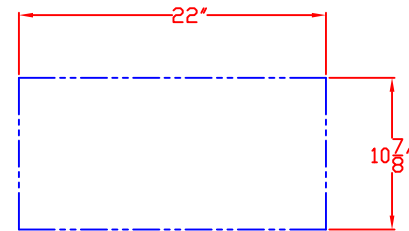
TOP VIEW



FRONT VIEW



SIDE VIEW

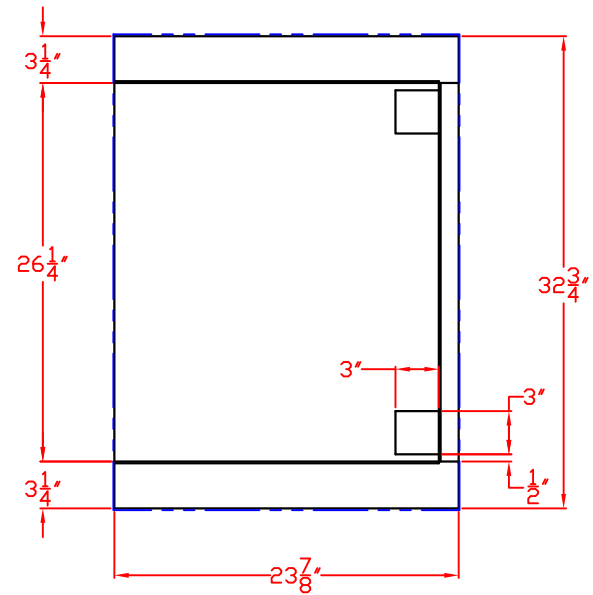


1/20/10

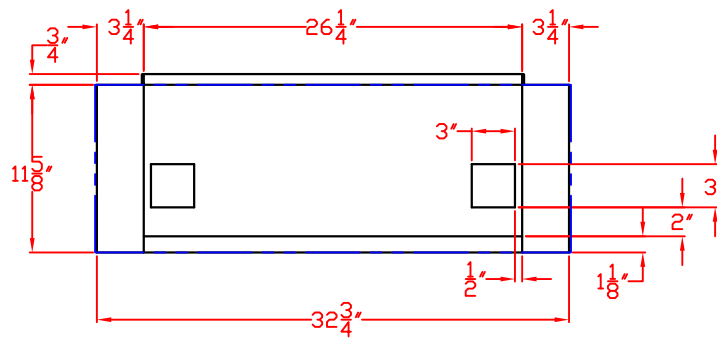
LYNX 27 IN. INSULATED JACKET  
WITH DIMENSIONS

ISLAND CUTOUT  
IN BLUE

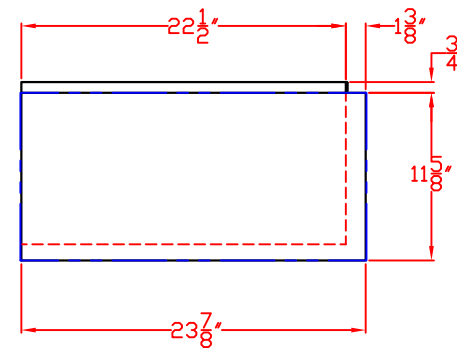
TOP VIEW



FRONT VIEW



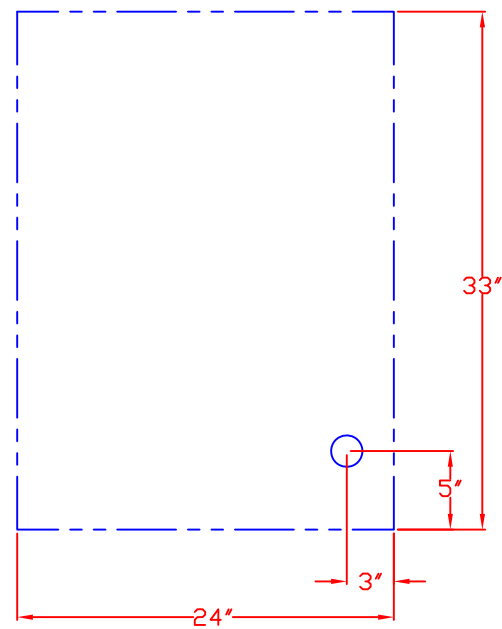
RIGHT SIDE VIEW



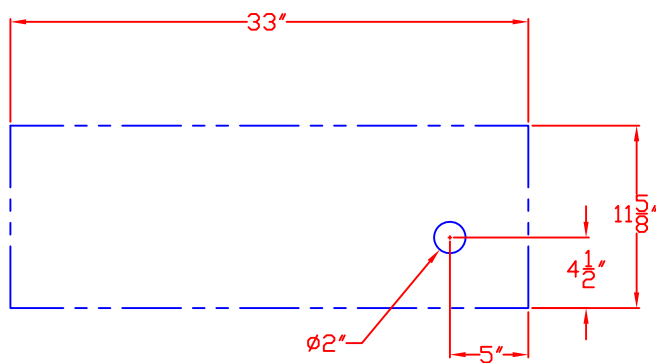
1/20/10

LYNX 27 IN. INSULATED JACKET  
ISLAND CUTOUT

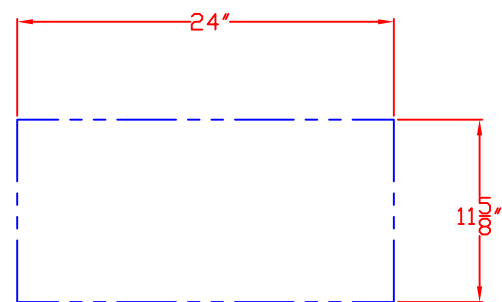
TOP VIEW



FRONT VIEW

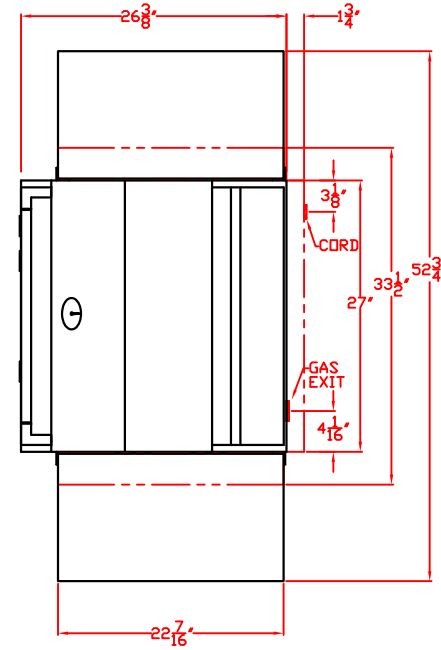


SIDE VIEW

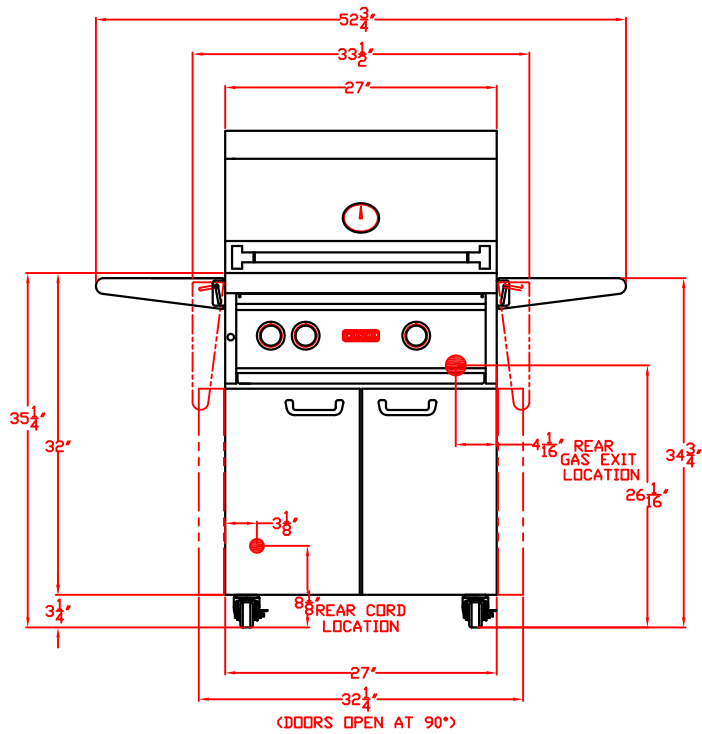


# LYNX FREESTANDING 27" W/ DIMENSIONS

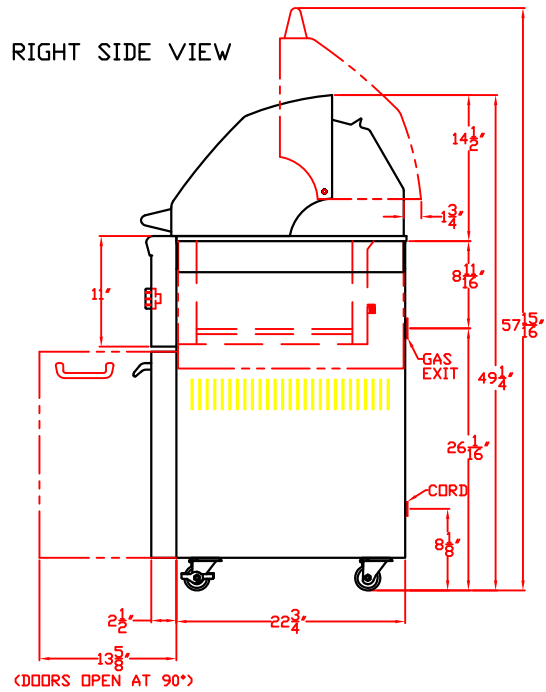
TOP VIEW



FRONT VIEW

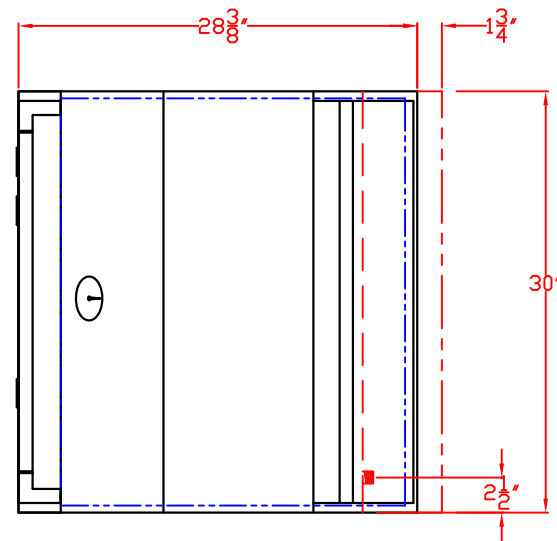


RIGHT SIDE VIEW

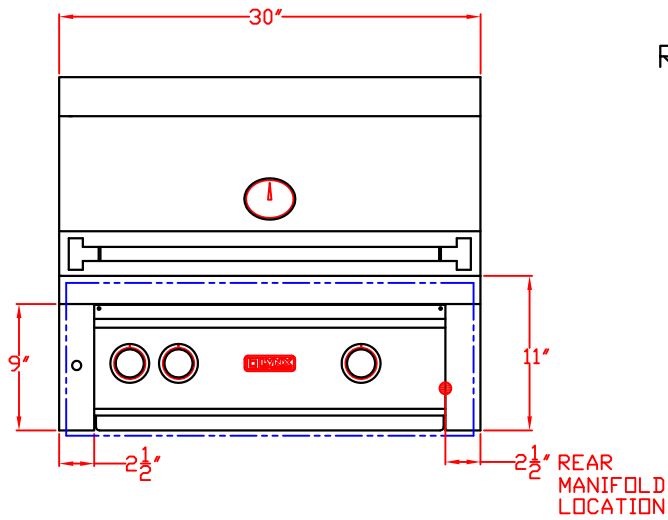


LYNX BUILT-IN 30"  
W/ DIMENSIONS  
ISLAND CUTOUT IN BLUE

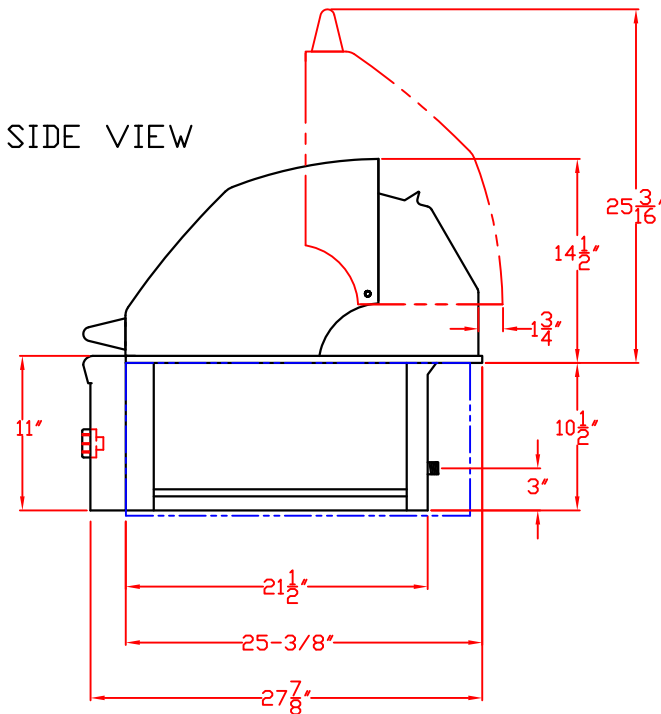
TOP VIEW



FRONT VIEW

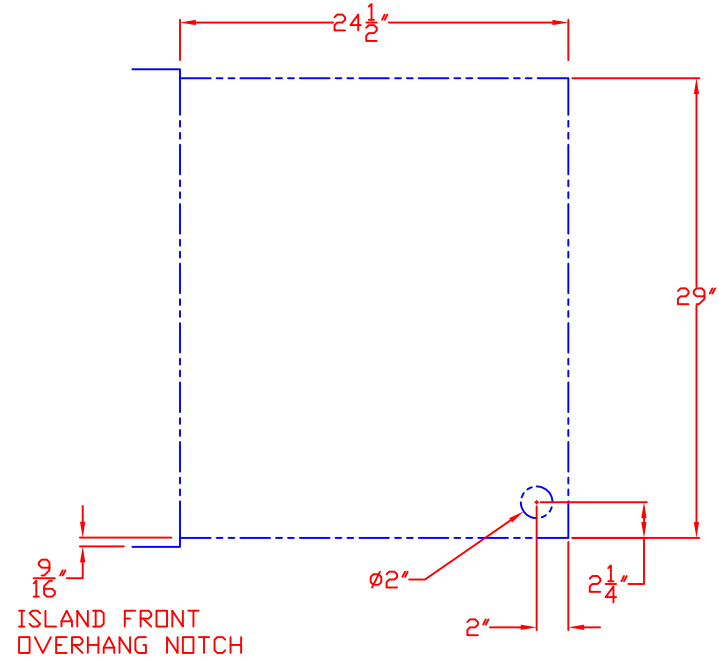


RIGHT SIDE VIEW

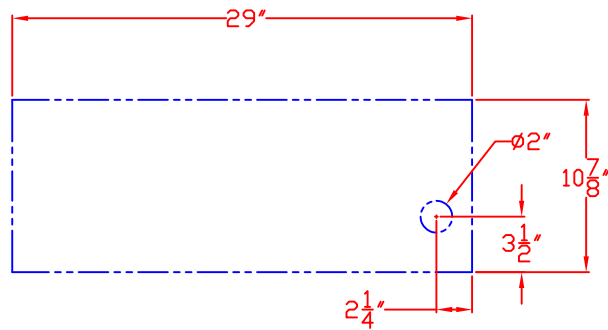


# LYNX BUILT-IN 30" ISLAND CUTOUT

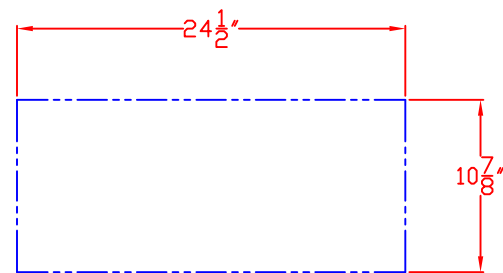
TOP VIEW



FRONT VIEW



SIDE VIEW

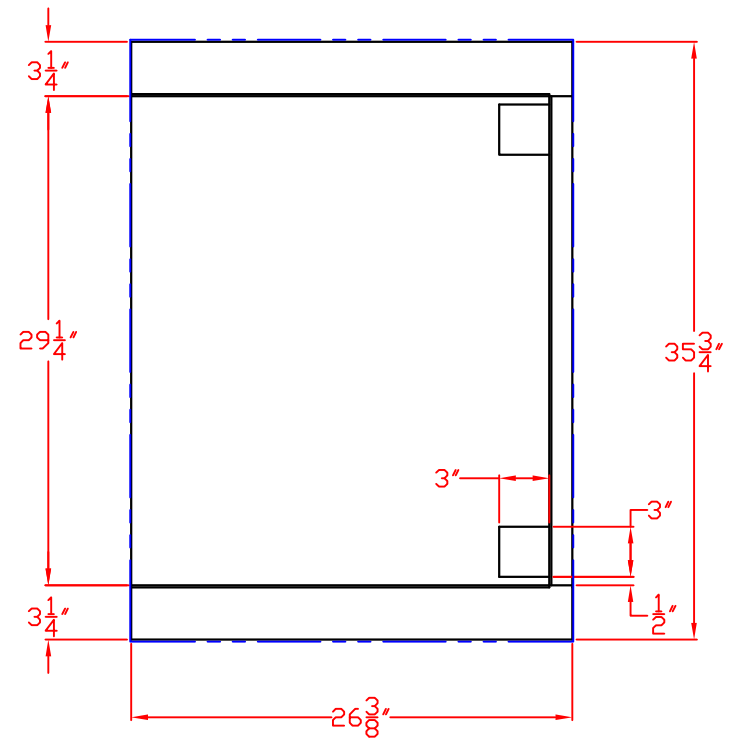


1/20/10

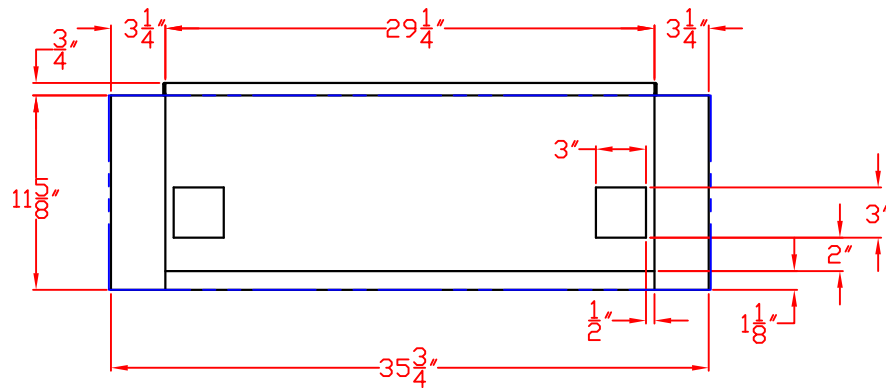
LYNX 30 IN. INSULATED JACKET  
WITH DIMENSIONS

ISLAND CUTOUT  
IN BLUE

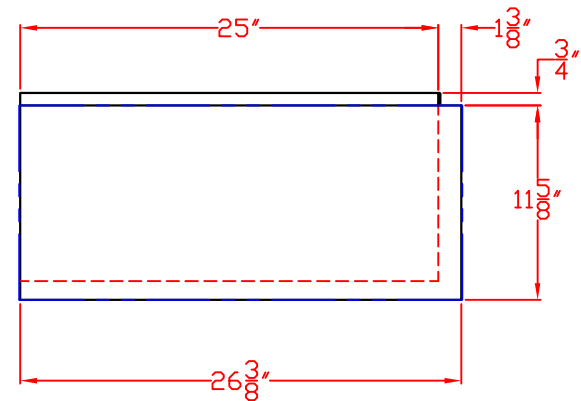
TOP VIEW



FRONT VIEW



RIGHT SIDE VIEW

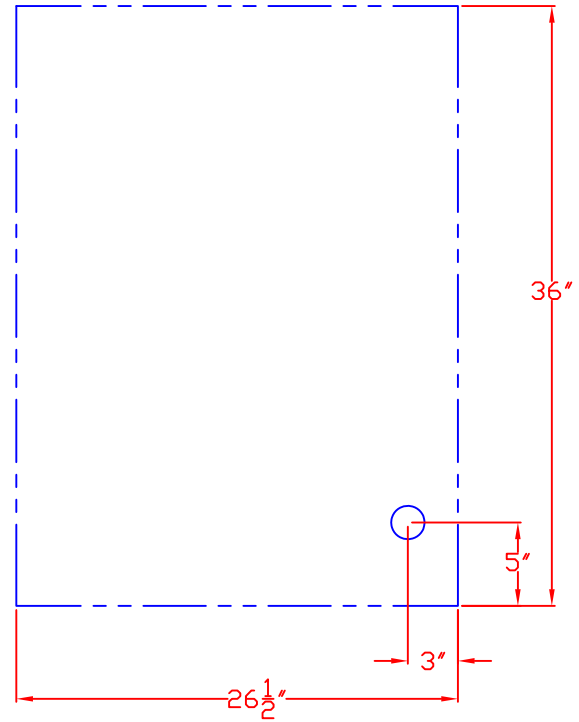




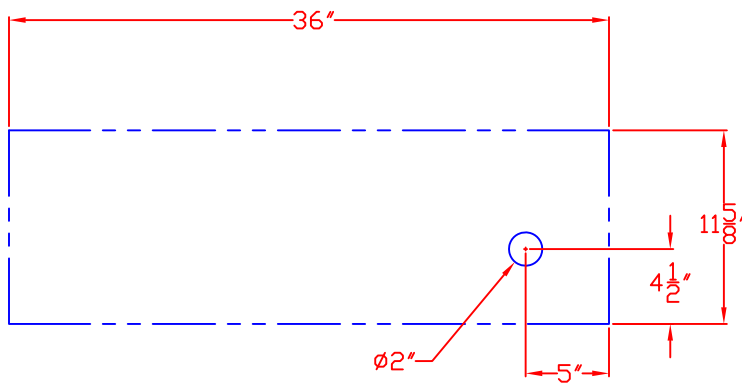
1/20/10

LYNX 30 IN. INSULATED JACKET  
ISLAND CUTOUT

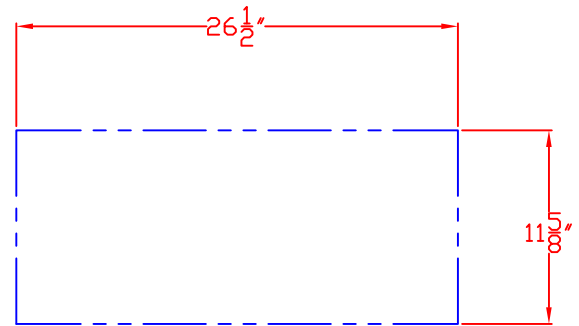
TOP VIEW



FRONT VIEW

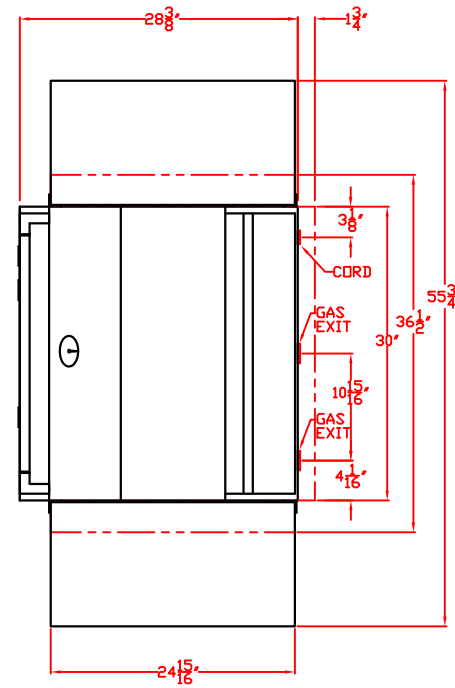


SIDE VIEW

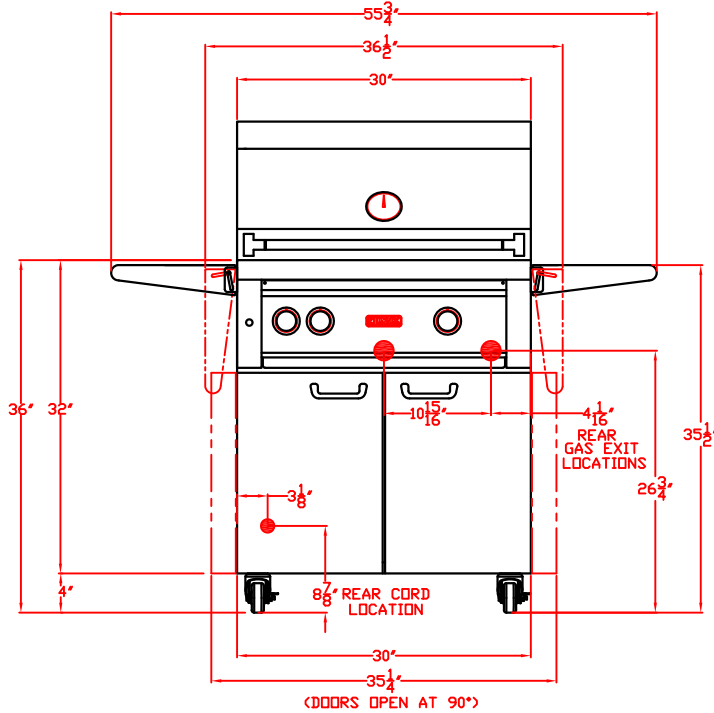


# LYNX FREESTANDING 30" W/ DIMENSIONS

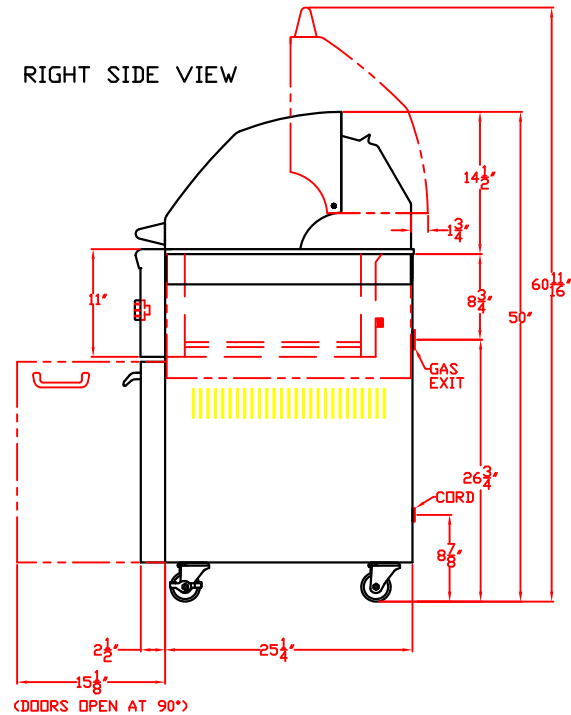
TOP VIEW



FRONT VIEW

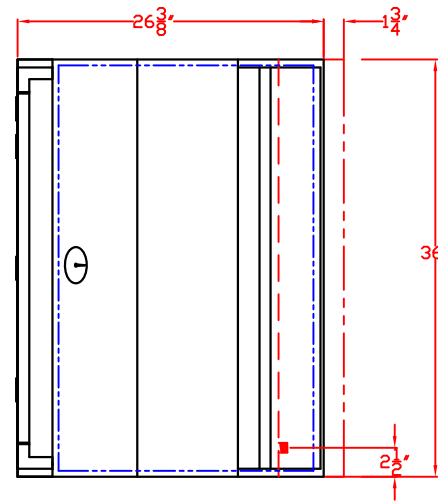


RIGHT SIDE VIEW

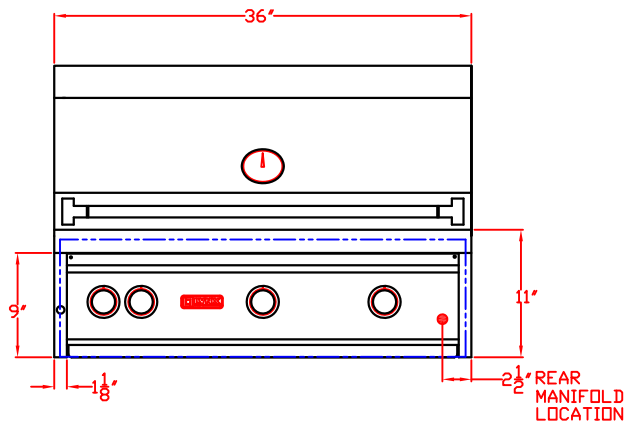


LYNX BUILT-IN 36"  
W/ DIMENSIONS  
ISLAND CUTOUT IN BLUE

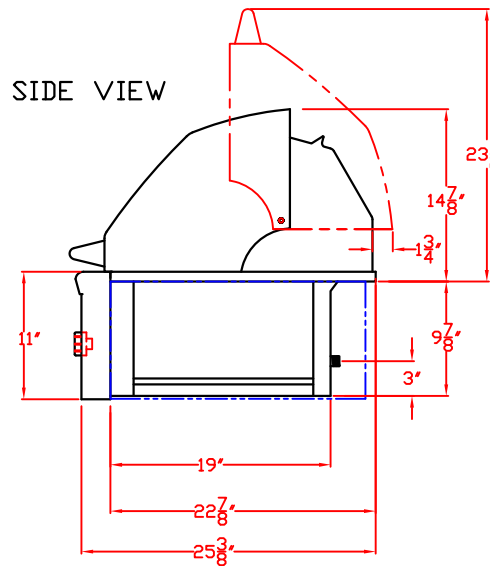
TOP VIEW



FRONT VIEW

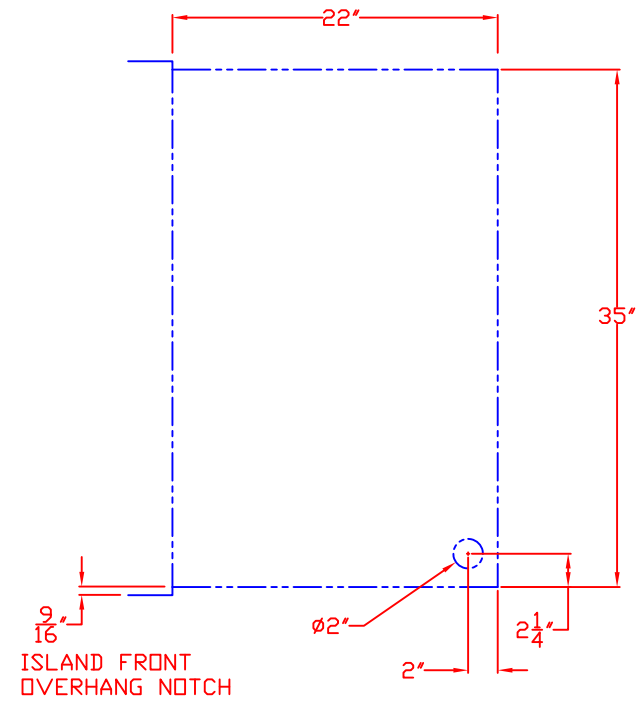


RIGHT SIDE VIEW

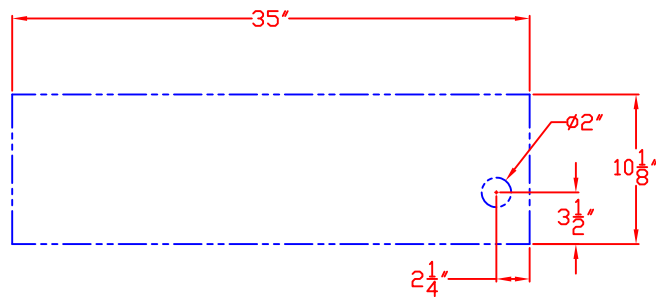


# LYNX BUILT-IN 36" ISLAND CUTOUT

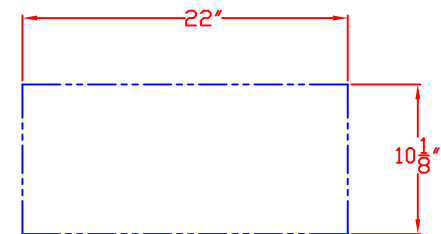
TOP VIEW



FRONT VIEW



SIDE VIEW

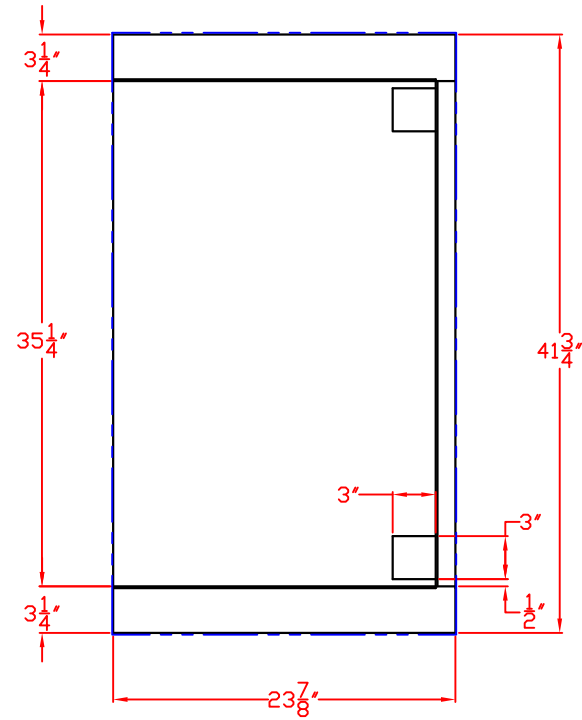


1/20/10

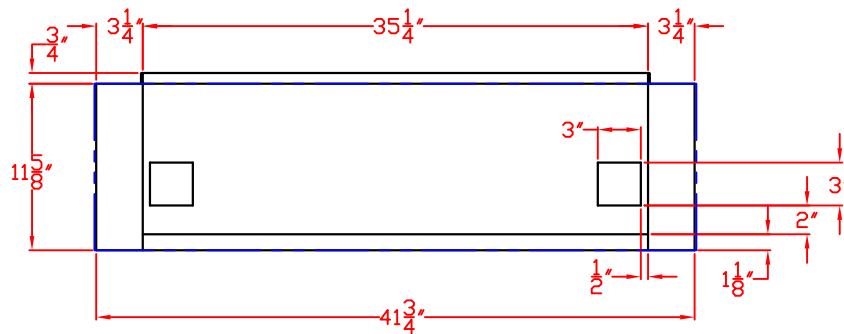
LYNX 36 IN. INSULATED JACKET  
WITH DIMENSIONS

ISLAND CUTOUT  
IN BLUE

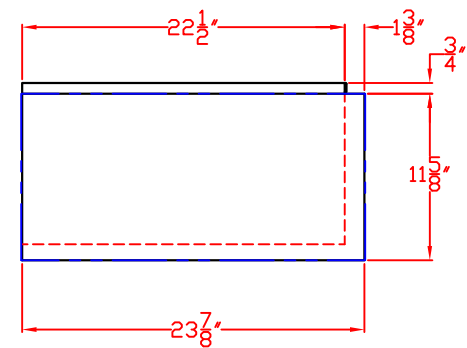
TOP VIEW



FRONT VIEW



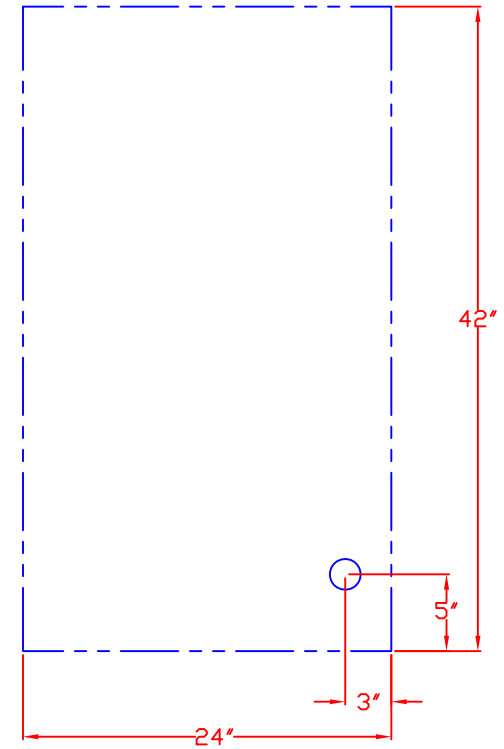
RIGHT SIDE VIEW



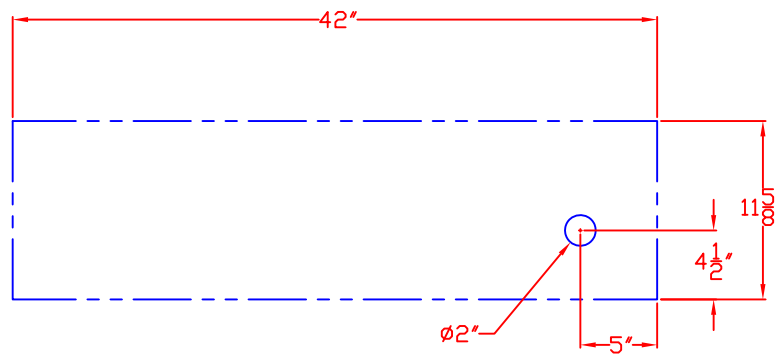
1/20/10

LYNX 36 IN. INSULATED JACKET  
ISLAND CUTOUT

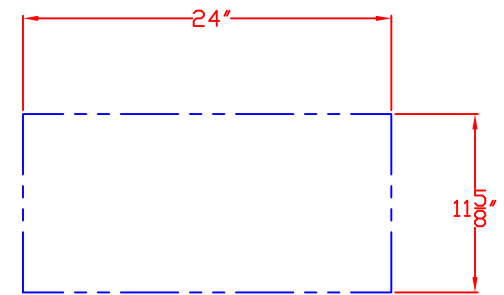
TOP VIEW



FRONT VIEW

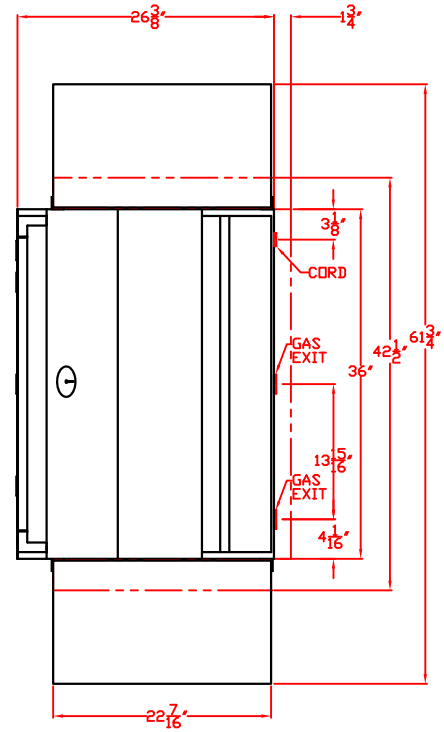


SIDE VIEW

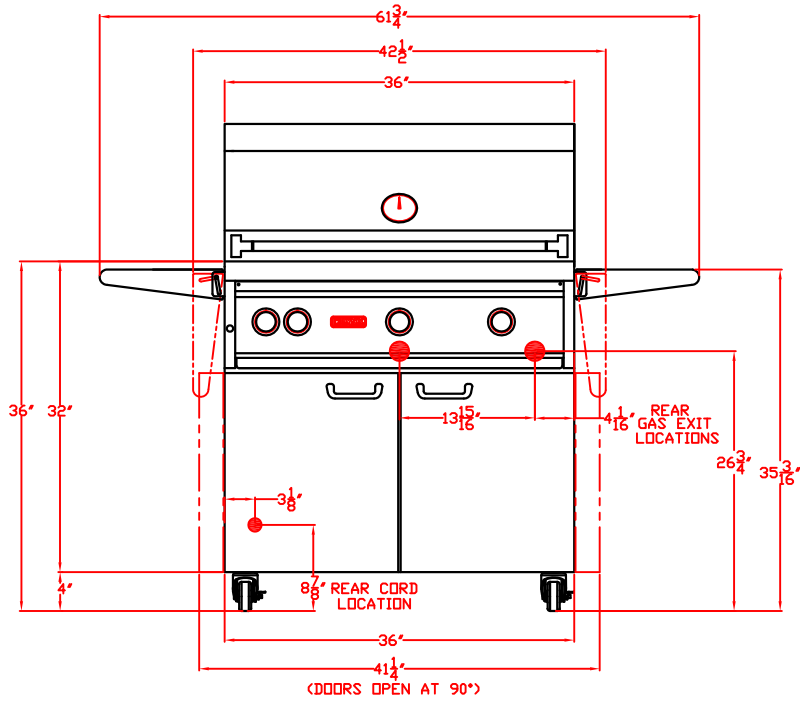


# LYNX FREESTANDING 36" W/ DIMENSIONS

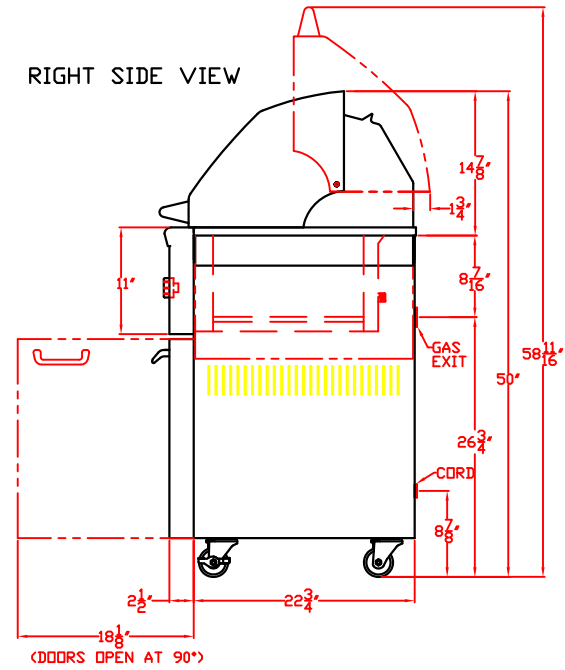
TOP VIEW



FRONT VIEW

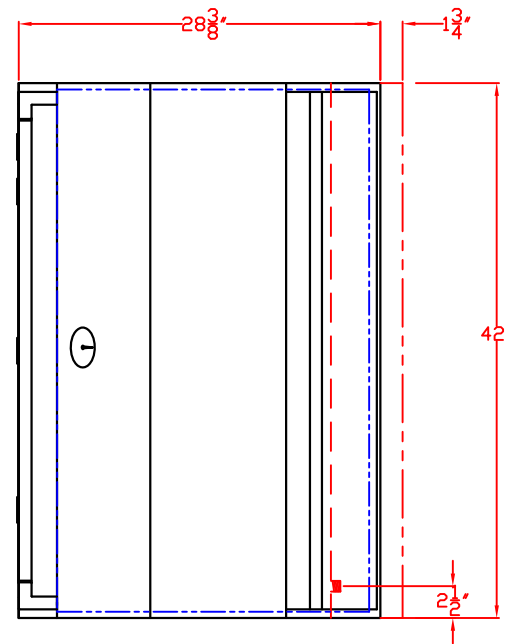


RIGHT SIDE VIEW

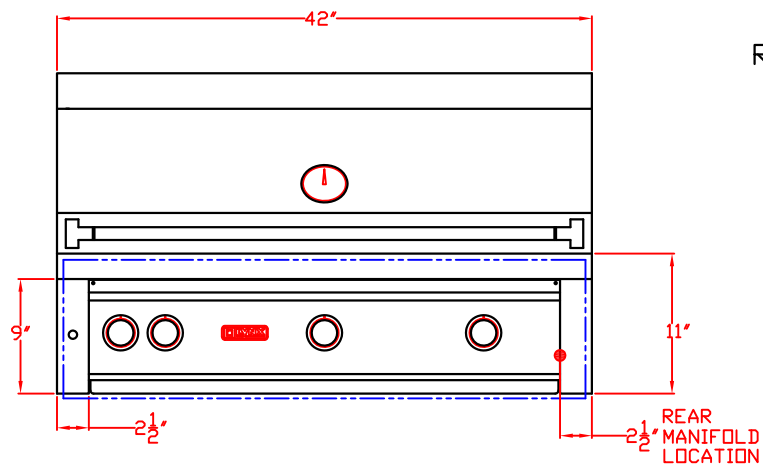


LYNX BUILT-IN 42"  
W/ DIMENSIONS  
ISLAND CUTOUT IN BLUE

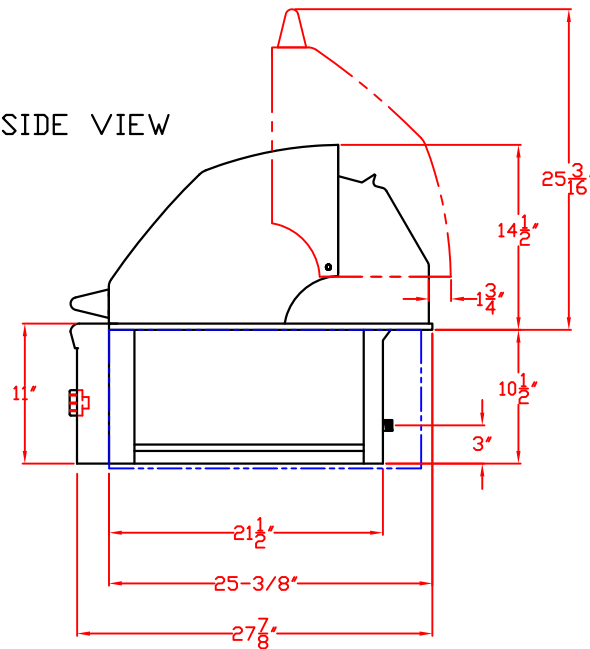
TOP VIEW



FRONT VIEW



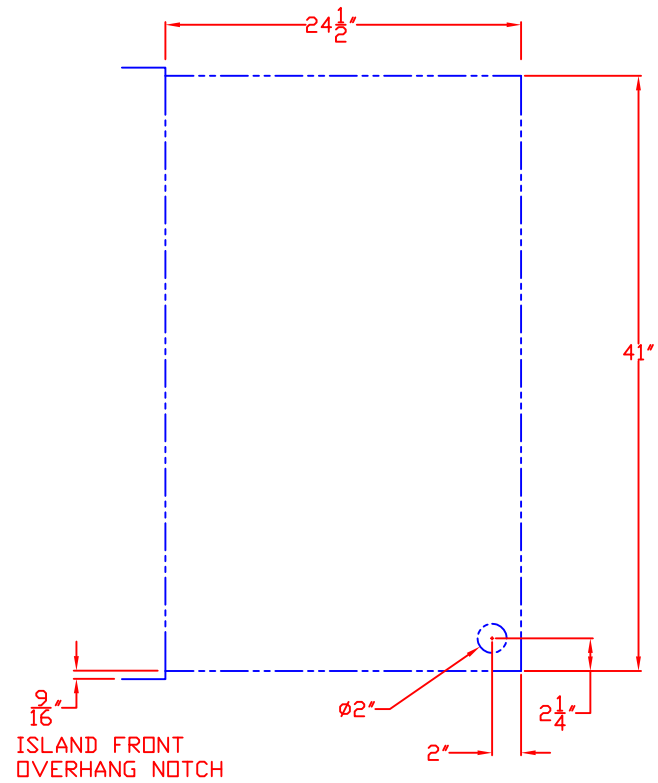
RIGHT SIDE VIEW



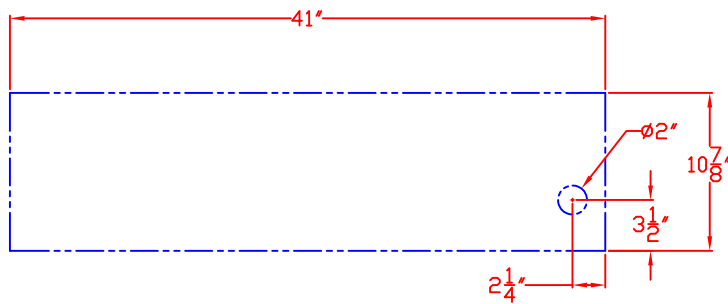


# LYNX BUILT-IN 42" ISLAND CUTOUT

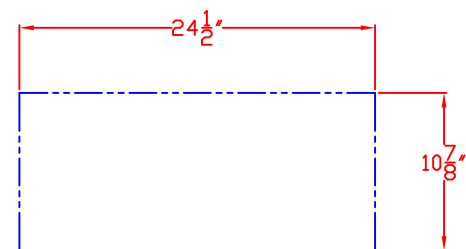
TOP VIEW



FRONT VIEW



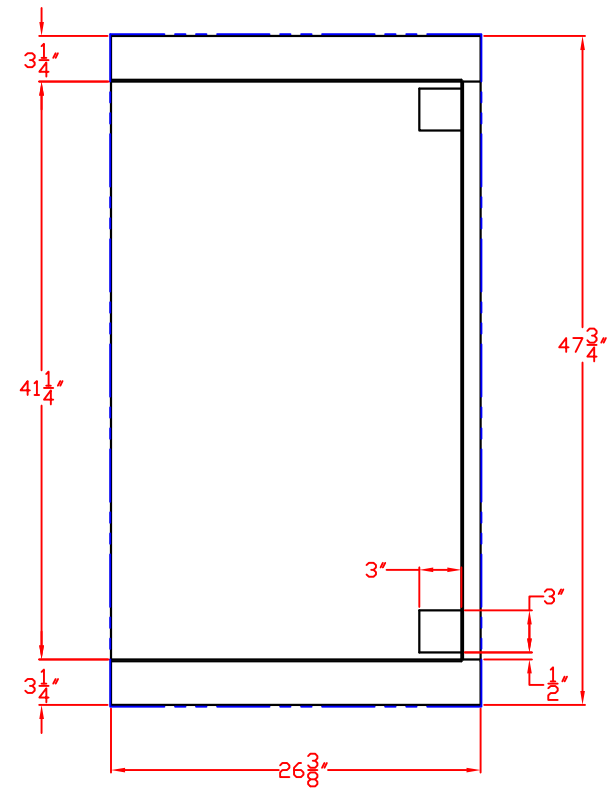
SIDE VIEW



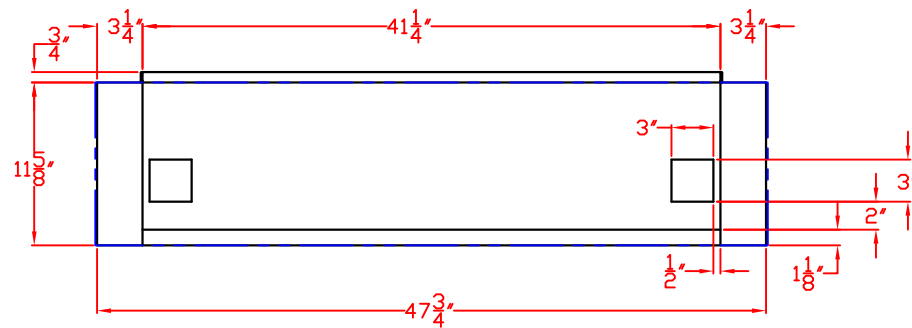
LYNX 42 IN. INSULATED JACKET  
WITH DIMENSIONS

ISLAND CUTOUT  
IN BLUE

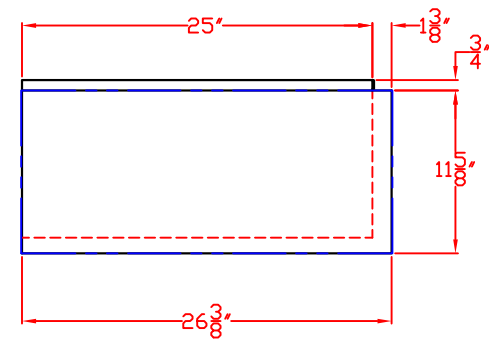
TOP VIEW



FRONT VIEW

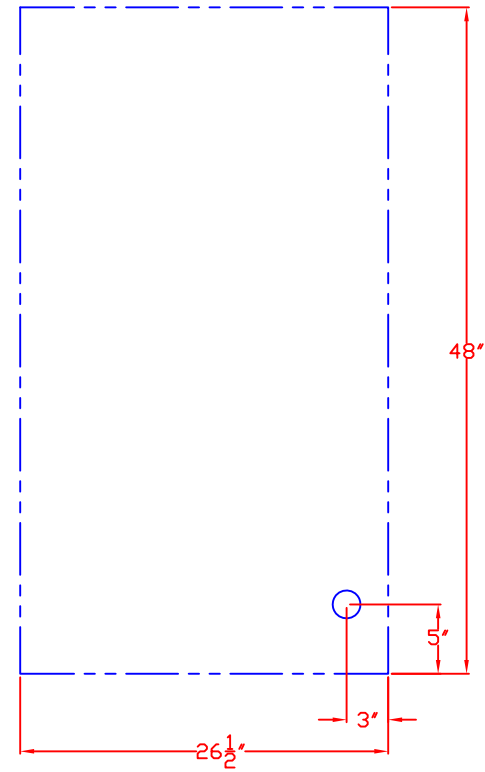


RIGHT SIDE VIEW

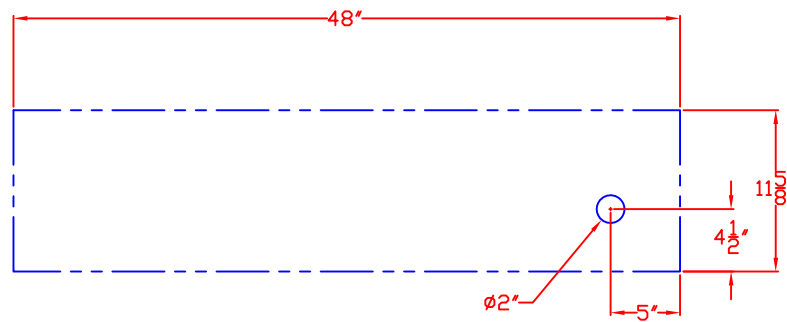


LYNX 42 IN. INSULATED JACKET  
ISLAND CUTOUT

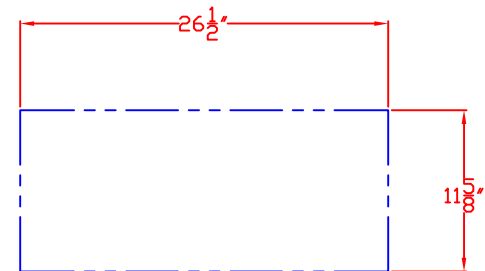
TOP VIEW



FRONT VIEW

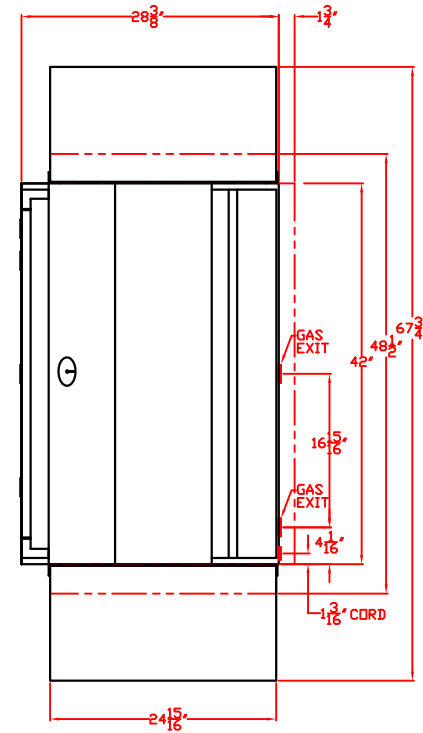


SIDE VIEW

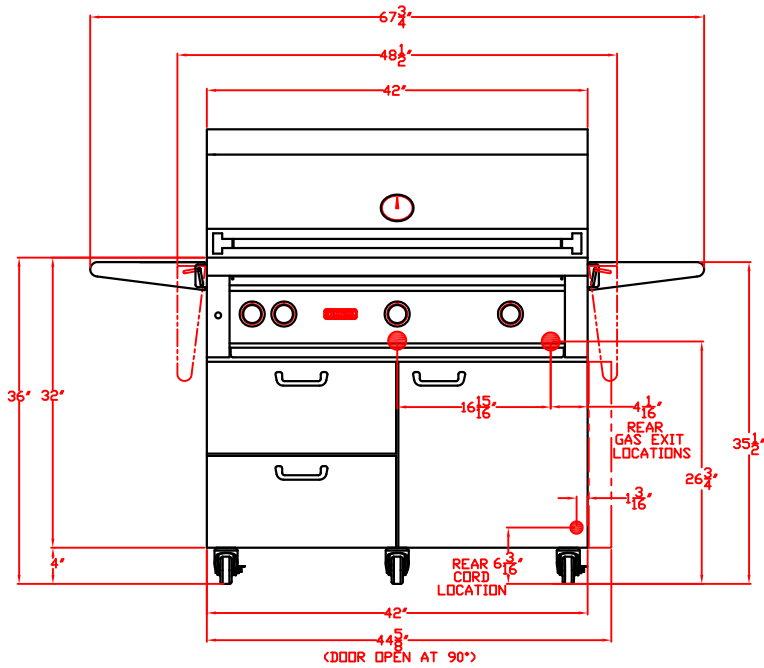


# LYNX FREESTANDING 42" W/ DIMENSIONS

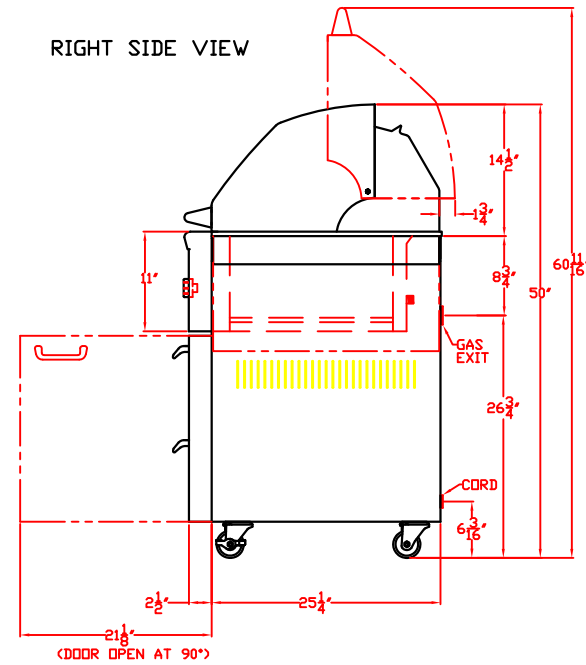
TOP VIEW



FRONT VIEW

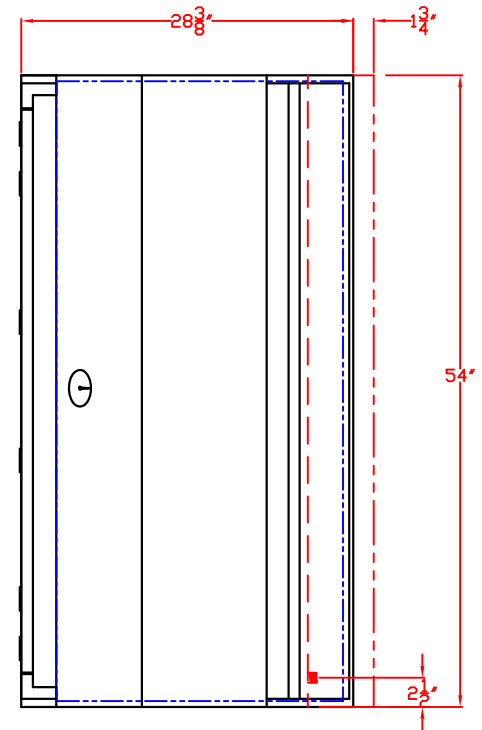


RIGHT SIDE VIEW

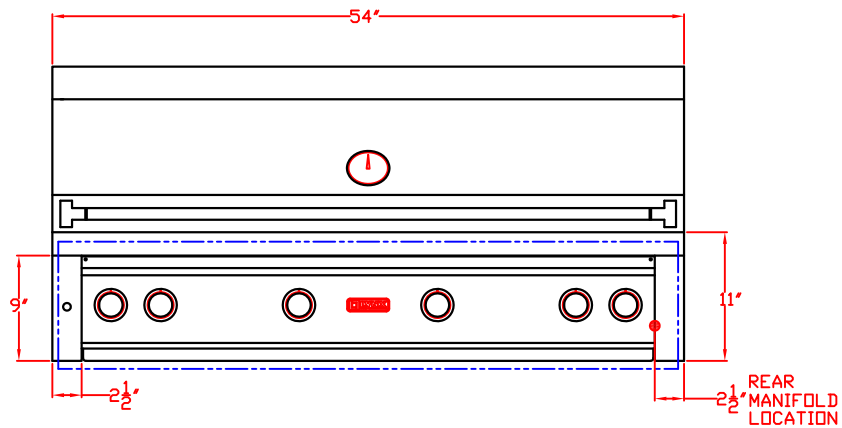


LYNX BUILT-IN 54"  
W/ DIMENSIONS  
ISLAND CUTOUT IN BLUE

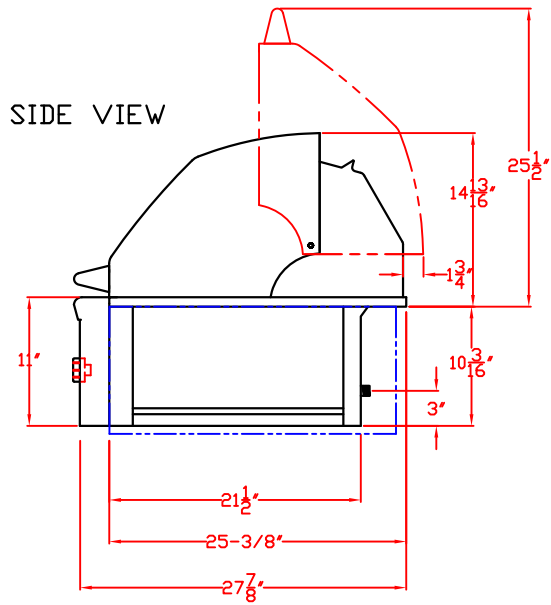
TOP VIEW



FRONT VIEW

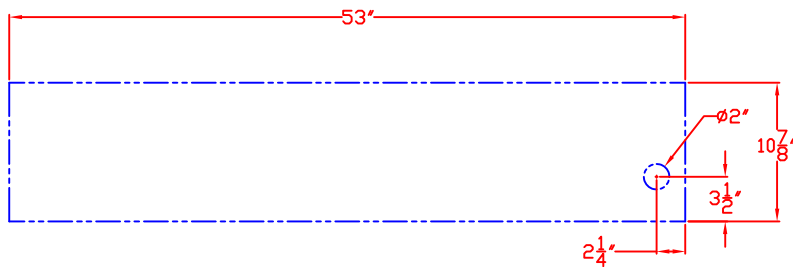


RIGHT SIDE VIEW

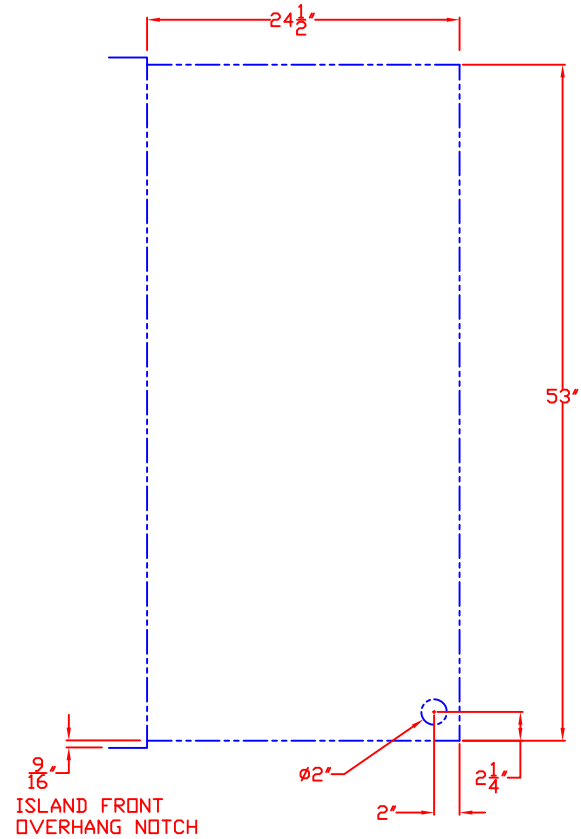


# LYNX BUILT-IN 54" ISLAND CUTOUT

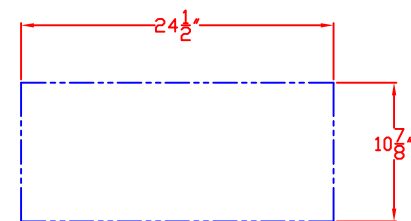
FRONT VIEW



TOP VIEW



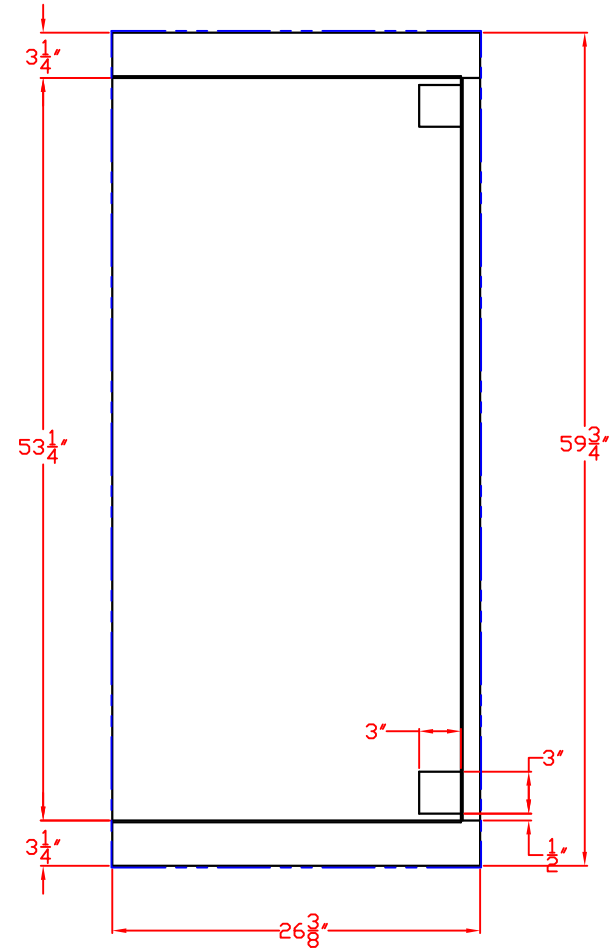
SIDE VIEW



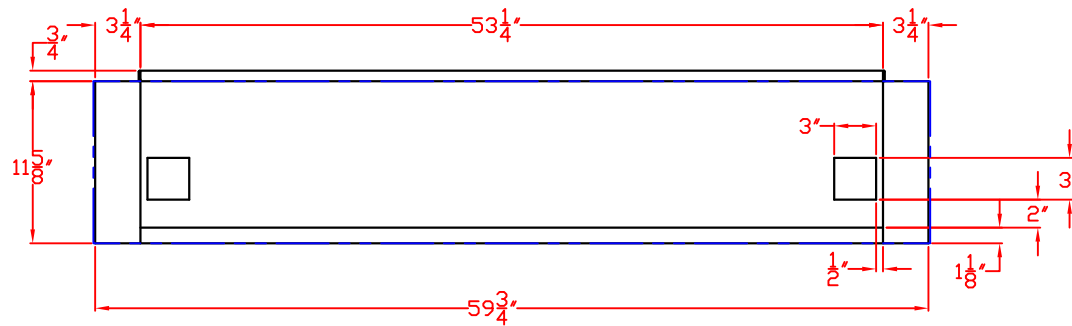
LYNX 54 IN. INSULATED JACKET  
WITH DIMENSIONS

ISLAND CUTOUT  
IN BLUE

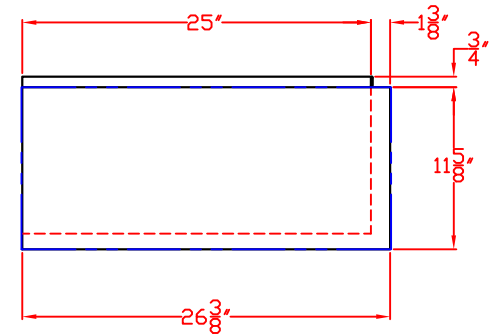
TOP VIEW



FRONT VIEW

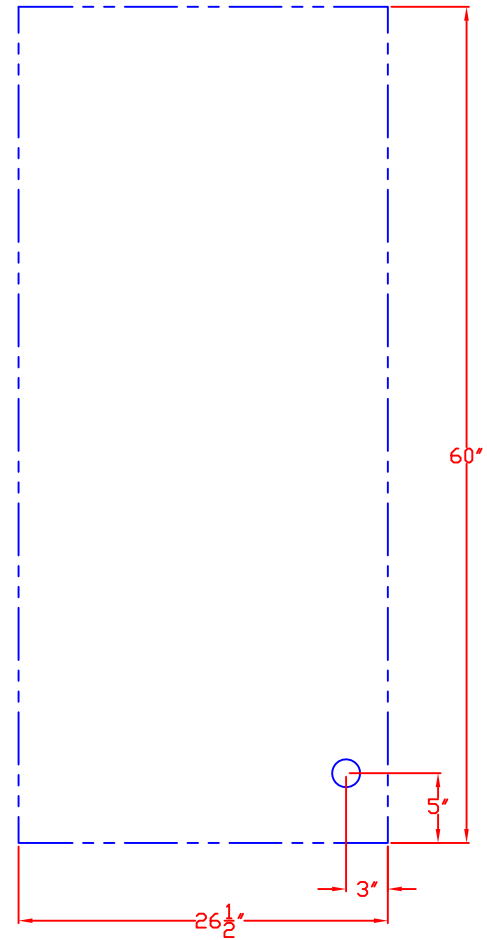


RIGHT SIDE VIEW

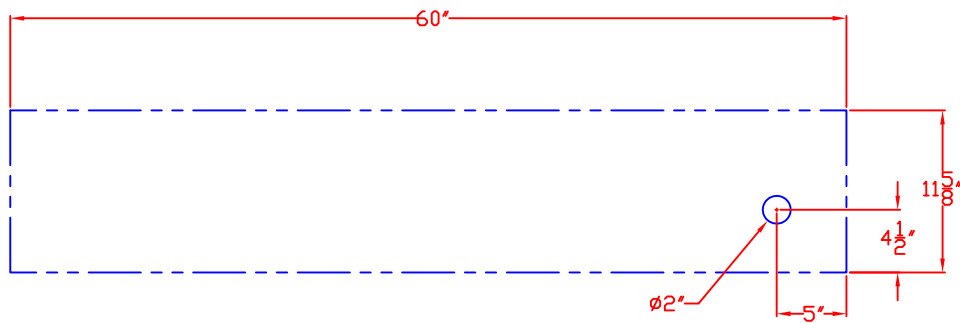


LYNX 54 IN. INSULATED JACKET  
ISLAND CUTOUT

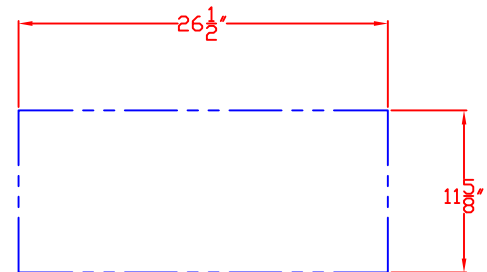
TOP VIEW



FRONT VIEW



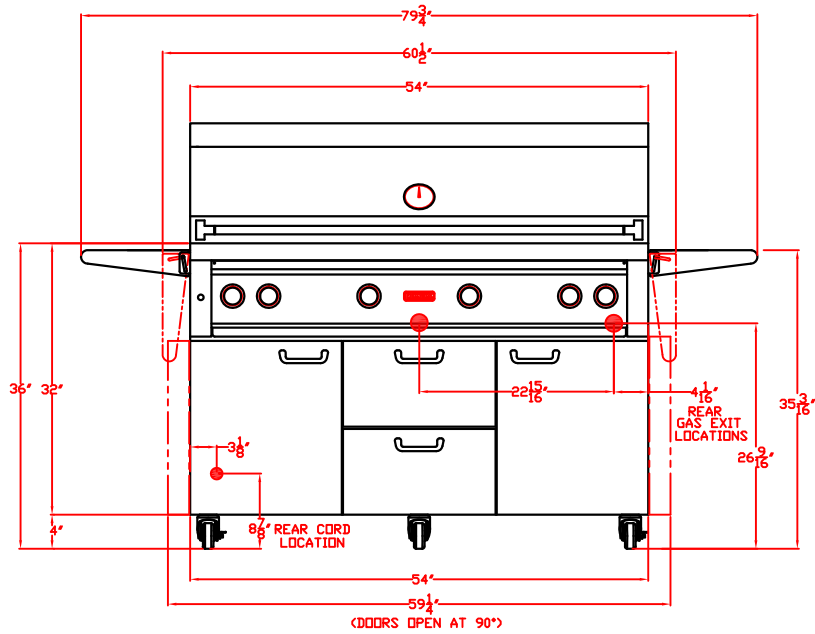
SIDE VIEW



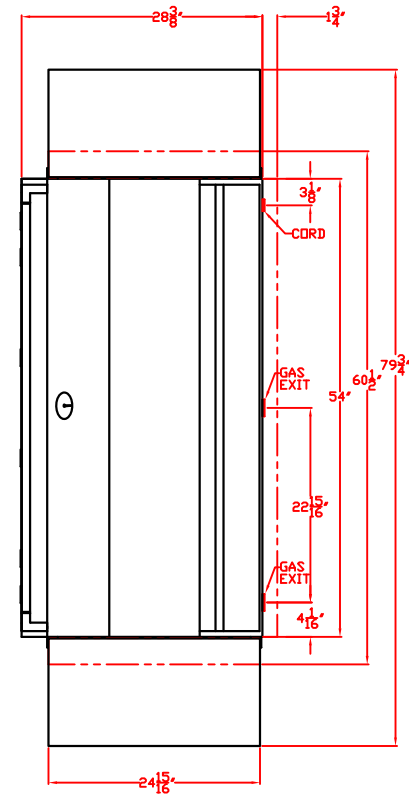


# LYNX FREESTANDING 54" W/ DIMENSIONS

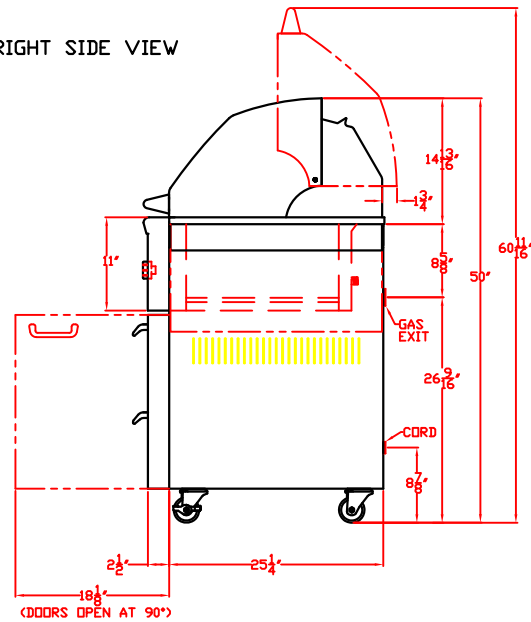
FRONT VIEW



TOP VIEW

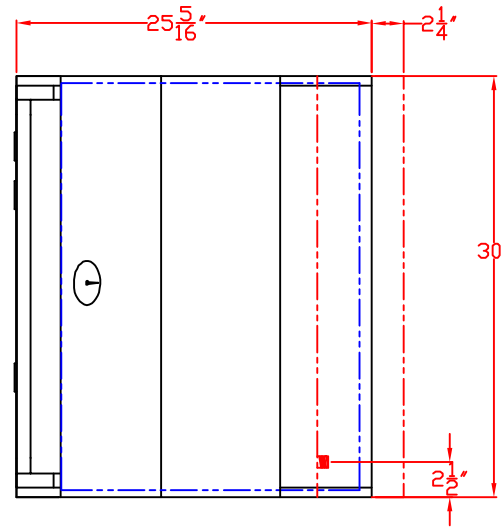


RIGHT SIDE VIEW

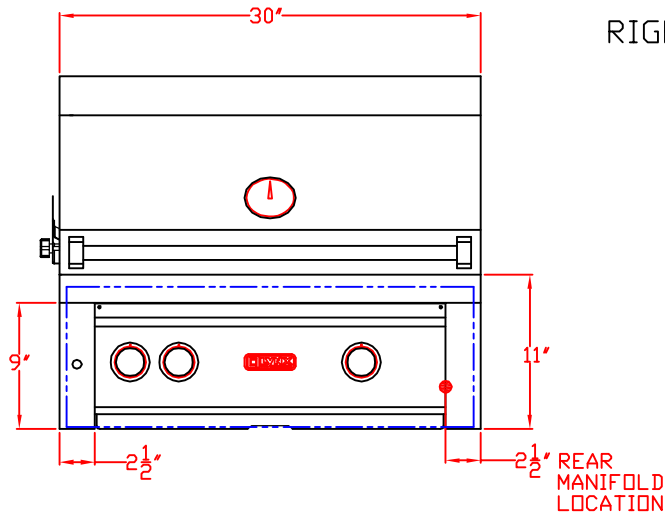


LYNX L500 GRILL  
W/ DIMENSIONS  
ISLAND CUTOUT IN BLUE

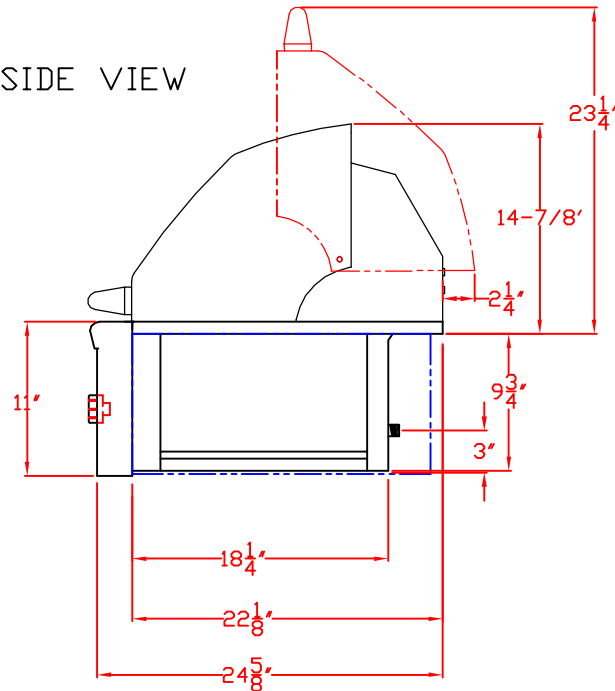
TOP VIEW



FRONT VIEW



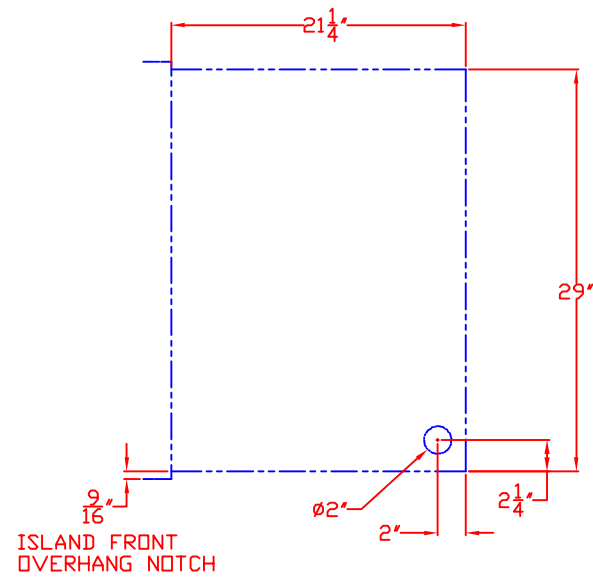
RIGHT SIDE VIEW



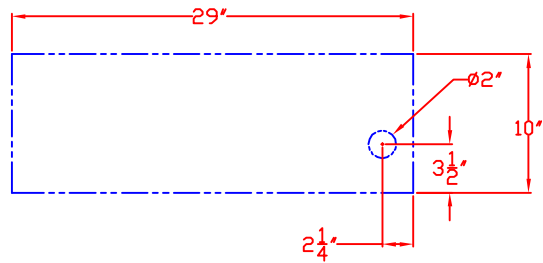
2/23/12

# LYNX L500 GRILL ISLAND CUTOUT

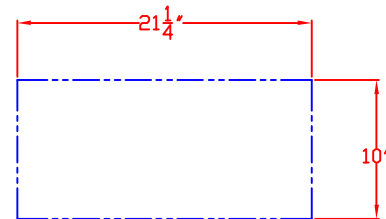
TOP VIEW



FRONT VIEW

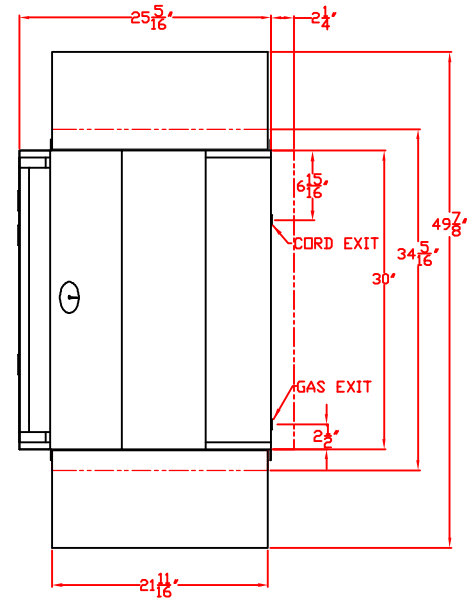


RIGHT SIDE VIEW

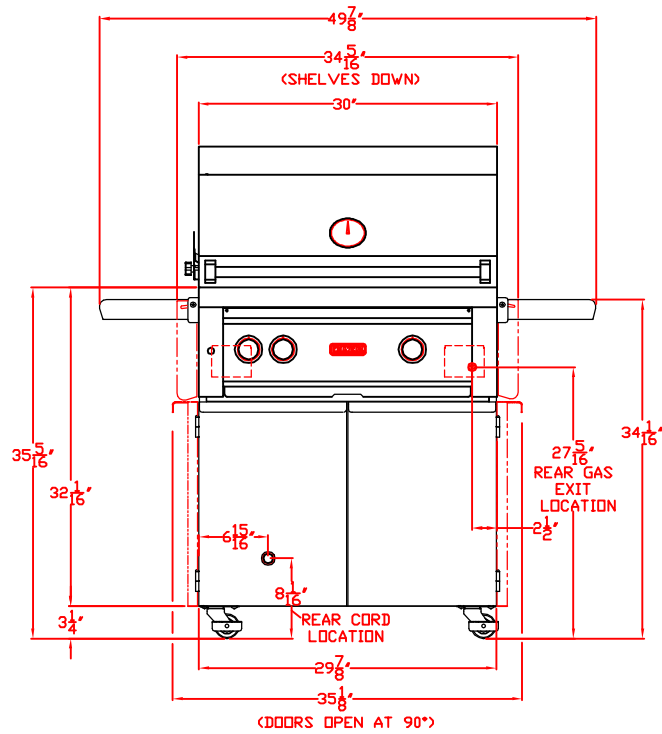


# LYNX L500 GRILL WITH CABINET DIMENSIONS SHOWN

TOP VIEW



FRONT VIEW



RIGHT SIDE VIEW

