

# 15" SIGNATURE SERIES BEVERAGE CENTER

**HP15BS-3** | 15" INDOOR MODEL  
**HP15BO-3** | 15" OUTDOOR MODEL

**Perlick**<sup>®</sup>  
QUALITY & INNOVATION  
THAT **INSPIRES**



Glass Door Model



Solid Door Model



## GENERAL SIGNATURE SERIES FEATURES

- Zero-clearance hinging allows for abutment with surrounding cabinetry
- 525 Btu commercial-grade compressor
- Front-vented, RAPIDcool forced-air refrigeration system
- Commercial-grade stainless steel interior and exterior
- **Industry Exclusive** convertible door design allows all doors the ability to be converted to wood overlay from stainless steel
- **Industry Exclusive** adjustable, full-extension pull-out shelves (drawer models and beer dispenser excluded)
- Stainless-steel ball-bearing glides provide smooth movement of shelves
- Adjustable Crisp White and Cool Blue LED light options
- Low E, UV-coated glass provides industry leading insulation and protection.
- State-of-the-art digital control module
- Optional door locks and Industry-Exclusive drawer locks (factory installed)
- Stacking kit available
- Indoor and outdoor models available
- Also available - 15" Refrigerator, Wine Reserve, Beer Dispenser and Clear Ice Maker
- 2.8 cubic feet of capacity
- Industry Best Three Year Warranty plus additional three years on sealed system

## HP15BS/BO FEATURES

- Available with solid stainless steel door, solid wood overlay door, stainless steel glass door or wood overlay glass door
- Includes two (2) full-extension pull-out wine shelves and one (1) full-extension pull-out shelf
- Wine shelves feature stainless steel fronts
- Product capacity is 8 wine bottles
- Beverage Center temperature 30°- 48°F (factory set at 42°)

Form No. HP15B-3  
Rev. 01.15.2016

## PRODUCT SPECIFICATIONS

<b>Overall Width</b>	14-7/8" (37.78 cm)
<b>Overall Height</b>	34-1/4" (86.96 cm)
<b>Overall Depth</b>	24" (60.96 cm.)
<b>Opening Width</b>	15" (38.1 cm.)
<b>Opening Height</b>	34-3/8" (87.31 cm.)
<b>Opening Depth</b>	24" (60.96 cm.)
<b>Refrigerated Volume</b>	2.8 cu. ft.
<b>Door Swing Clearance</b>	16" (40.64 cm) minimum
<b>Electrical</b>	115V, 60Hz, 1 Phase, 2.3 amps
<b>Plumbing</b>	None Required
<b>Shipping Weight</b>	150 lbs (68.04 kg)
<b>Annual Energy Usage</b>	280 kWh/yr

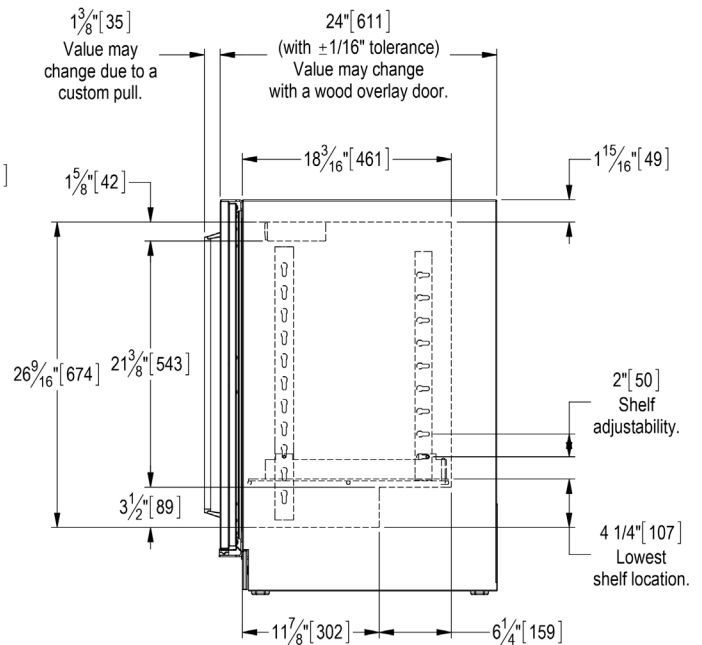
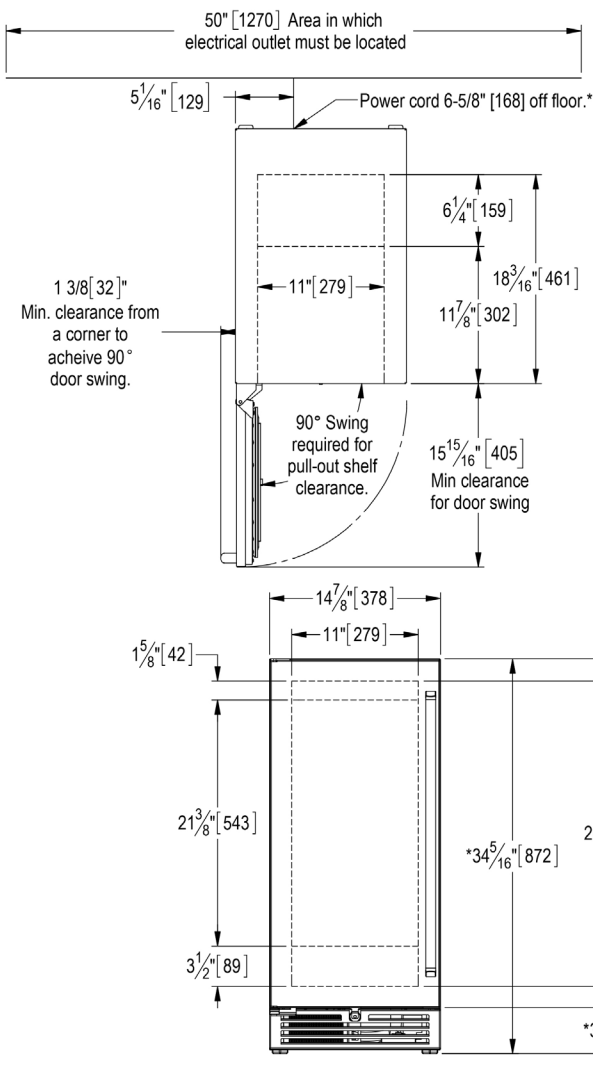
## INDOOR MODELS

<b>HP15BS-3-1L*</b>	Solid stainless steel door, hinge left
<b>HP15BS-3-2L*</b>	Solid wood overlay door, hinge left
<b>HP15BS-3-3L*</b>	Stainless steel glass door, hinge left
<b>HP15BS-3-4L*</b>	Wood overlay glass door, hinge left

## OUTDOOR MODELS

<b>HP15BO-3-1L*</b>	Solid stainless steel door, hinge left
<b>HP15BO-3-2L*</b>	Solid wood overlay door, hinge left
<b>HP15BO-3-3L*</b>	Stainless steel glass door, hinge left
<b>HP15BO-3-4L*</b>	Wood overlay glass door, hinge left

\* Also available hinge right



Form No. HP15B-3  
Rev. 01.15.2016