

# 24" SIGNATURE SERIES FREEZER

**HP24FS-3** | 24" INDOOR MODEL  
**HP24FO-3** | 24" OUTDOOR MODEL

**Perlick**<sup>®</sup>  
QUALITY & INNOVATION  
THAT **INSPIRES**



*Solid Door Model*



*Drawer Model*



## GENERAL SIGNATURE SERIES FEATURES

- Zero-clearance hinging allows for abutment with surrounding cabinetry
- Perlick's commercial-grade, 390 Btu standard compressor
- Front-vented, RAPIDcool forced-air refrigeration system
- Commercial-grade stainless steel interior and exterior
- **Industry Exclusive** convertible door design allows all doors the ability to be converted to wood overlay from stainless steel
- **Industry Exclusive** adjustable, full-extension pull-out shelves (drawer models excluded)
- Stainless-steel ball-bearing glides provide smooth movement of shelves
- Low E, UV-coated glass provides industry leading insulation and protection.
- Adjustable Crisp White and Cool Blue LED lighting
- State-of-the-art digital control module
- Optional door locks and Industry-Exclusive drawer locks (factory installed)
- Stacking kit available
- Indoor and outdoor models available
- Also available - 24" Refrigerator, Beverage Center, Wine Reserve, Beer Dispenser, and Dual-Zone Wine Reserve
- 5.2 cubic feet of capacity
- Industry Best Three Year Warranty plus additional three years on sealed system

## HP24FS-3/FO-3 FEATURES

- Available with solid stainless steel door, solid wood overlay door, stainless steel drawers or wood overlay drawers
- Freezer equipped with automatic hot gas defrost for maintenance-free defrosting
- Door models include two (2) full-extension pull-out shelves
- Freezer temperature -10°- 10°F

Form No. HP24F-3  
Rev. 01.15.2016

## PRODUCT SPECIFICATIONS

<b>Overall Width</b>	23-7/8" (60.64 cm.)
<b>Overall Height</b>	34-1/4" (86.96 cm.)
<b>Overall Depth</b>	24" (60.96 cm.)
<b>Opening Width</b>	24" (60.96 cm.)
<b>Opening Height</b>	34-3/8" (87.31 cm.)
<b>Opening Depth</b>	24" (60.96 cm.)
<b>Refrigerated Volume</b>	5.2 cu. ft.
<b>Door Swing Clearance</b>	25" (63.5 cm.) minimum
<b>Electrical</b>	115V, 60Hz., 1 Phase, 2.3 amps
<b>Plumbing</b>	None Required
<b>Annual Energy Usage</b>	443 kWh/yr
<b>Shipping Weight</b>	191 lbs (68.04 kg.)

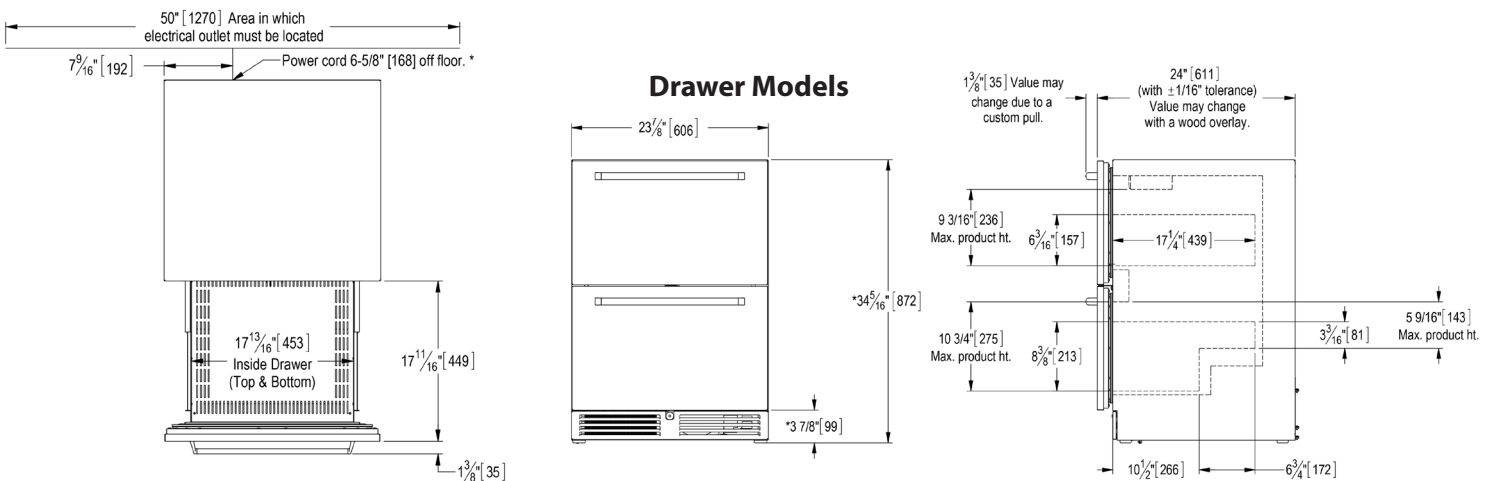
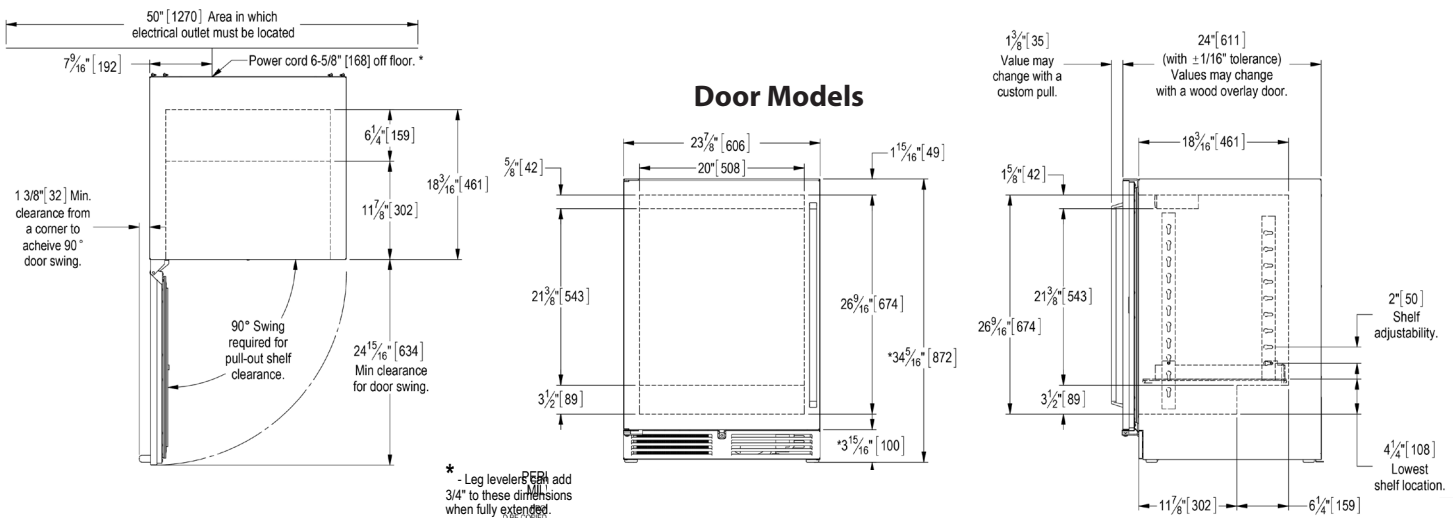
## INDOOR MODELS

<b>HP24FS-3-1L*</b>	Solid stainless steel door, hinge left
<b>HP24FS-3-2L*</b>	Solid wood overlay door, hinge left
<b>HP24FS-3-5</b>	Stainless steel drawers
<b>HP24FS-3-6</b>	Wood overlay drawers

## OUTDOOR MODELS

<b>HP24FO-3-1L*</b>	Solid stainless steel door, hinge left
<b>HP24FO-3-2L*</b>	Solid wood overlay door, hinge left
<b>HP24FO-3-5</b>	Stainless steel drawers
<b>HP24FO-3-6</b>	Wood overlay drawers

\* Also available hinge right



Form No.HP24F-3  
Rev. 01.15.2016