
SOVARO™

OWNER'S MANUAL



70 QT • 45 QT • 30 QT

STYLE & SOPHISTICATION
MEET DURABILITY & PERFORMANCE

1.877.403.9001 | SERVICE@SOVARO.COM

WELCOME TO SOVARO

Congratulations and welcome to the SOVARO family. SOVARO luxury coolers combine the austere beauty and natural insulating properties of cork with a full suite of functional, innovative, and versatile considerations for wherever life takes you.

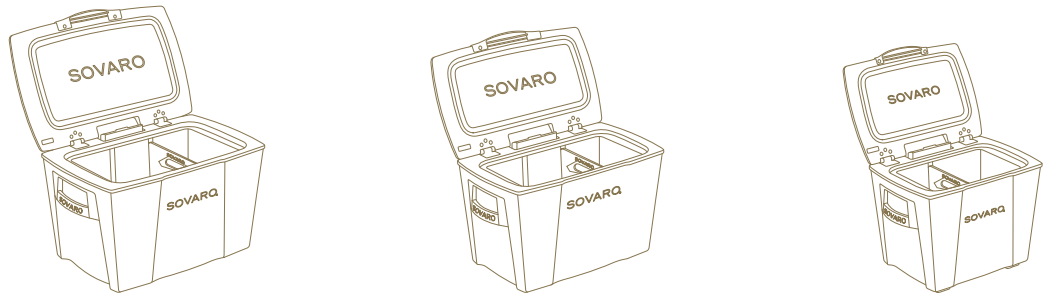


REGISTER YOUR COOLER

Registering your cooler is required for warranty and parts support. Each cooler is assigned a unique ID number, but SOVARO does not link customer information to the cooler ID number unless it is registered. Open the lid of your cooler to find the SOVARO ID plate in the bottom left corner. Register today at sovaro.com/register and upload an image of your receipt for easy verification of your purchase date.



DIMENSIONS



SIZE

CAPACITY	70 QT	45 QT	30 QT
HOLDS	18 STANDING WINE BOTTLES	10 STANDING WINE BOTTLES	8 STANDING WINE BOTTLES

See sovaro.com/sizeguide for complete cooler dimensions.

MODEL NUMBERS

COLLECTION	WHITE	BLACK	WHITE	BLACK	WHITE	BLACK
SILVER	SVRHSC70W	SVRHSC70B	SVRHSC45W	SVRHSC45B	SVRHSC30W	SVRHSC30B
CHROME		SVRHSC70BP		SVRHSC45BP		SVRHSC30BP
GOLD	SVRHSC70WP		SVRHSC45WP		SVRHSC30WP	

ACCESSORIES



OPTIONAL DIVIDER
Organization is an art form. Each supplemental divider offers new opportunities to arrange.*



PREP TRAY
In addition to providing greater interior security, this tray is the perfect place to store fruit and garnishes, with a lid that doubles as a cutting board and mixing station.

*NOTE:

Each cooler comes with a complimentary divider. The 45 quart and 70 quart models have space to utilize two dividers at one time. Additional dividers are available for purchase at sovaro.com. Clear dividers are removable and do not create a water-tight seal.

THE SOVARO DIFFERENCE:INSIDE

The key to keeping a cooler cold is to keep heat out. With flawless form and faultless function, SOVARO coolers are engineered to achieve superior performance.



ONE-TOUCH LATCH

One-touch latch ensures a tight seal, keeping contents safe during transport.

TRANSPARENT LINER

Scratch resistant and easy to clean, this inner liner provides a protective shell to preserve the natural beauty of the cork.

CORK INSULATION

In addition to being a natural insulator, cork is impermeable to gas and liquid, doesn't attract mold or mildew, and won't break down over time.

AIR-TIGHT RUBBER GASKET

Locks cold air in to ensure a perfect seal with each use.

INTERIOR HEIGHT

Cooler interior measures at least 13.5" high, spacious enough to store wine or spirits bottles upright.

FOUR-LAYER WALLS

Polycarbonate inner and outer casing, thick cork insulation, and a radiant barrier that blocks up to 97% of heat from the sun.

TRANSPARENT DIVIDER

Each cooler includes one removable divider for easy organization.

THE SOVARO DIFFERENCE: OUTSIDE

Feature rich yet elegant in their simplicity, SOVARO coolers offer uncompromised style and performance wherever life takes you, be it an intimate backyard gathering or exclusive oceanfront event.



TIPS TO GET THE BEST RESULTS FROM YOUR SOVARO COOLER

1. Store cooler inside prior to use.
2. Pre-chill items before placing in cooler.
3. Choose larger ice, as small or crushed ice melts faster.
4. Do not drain cold water out of the cooler. It can substantially help in keeping contents cold.
5. Keep cooler in shade as much as possible when in use.
6. Limit the amount of time the lid is open. This helps keep the cold air in.
7. Protect perishable food in sealed containers.
8. Place ice in the cooler after contents for optimal use of space.

CLEANING AND STORING YOUR SOVARO COOLER

Clean product with mild soap and water using a non-abrasive cloth.

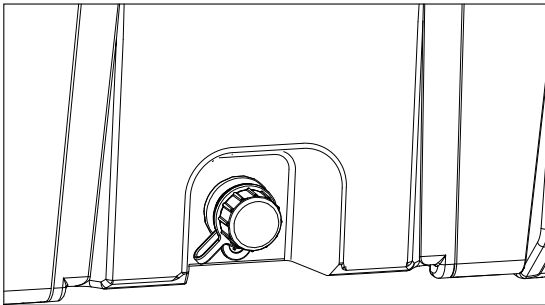
Do not use hard bristle brushes, bleach, ammonia, or other caustic cleaners.

Do not use cleaners containing bleach, ammonia, or caustic ingredients.

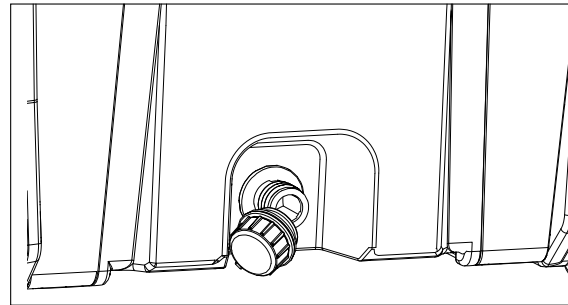
Remove all water and air dry cooler with lid open before storing in a cool dry place.

ADDITIONAL FEATURES

Each SOVARO cooler uses a drain plug system for hose hook-up and removable cap for easy drainage.

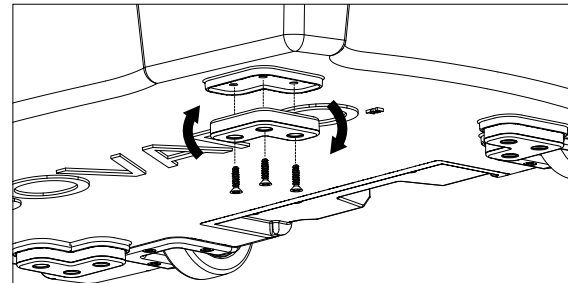


TIGHTEN CAP BEFORE USE



REVERSIBLE BOTTOM PAD

Choose non-marring rubber on one side for grip, or smooth plastic on the other for easy sliding. Each cooler ships with the rubber grip facing out. To switch to the plastic side, remove the three screws and flip the foot over. Repeat for all four feet.



WARNINGS



! WARNING

Risk of Child Entrapment

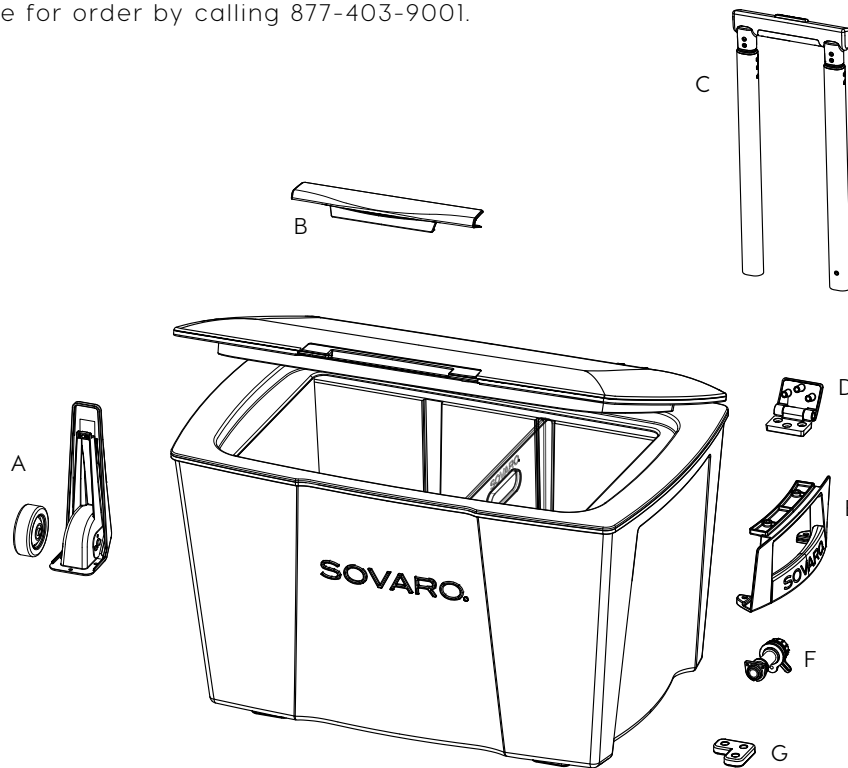
It is possible for children to be trapped inside this cooler and suffocate. Keep cooler out of children's reach when not in use.

- Dry ice should not be used with this cooler.
- A cooler this tough demands two sets of hands. Due to its robust construction and durable design, your SOVARO cooler requires two people to lift. For your safety, grab a friend and use care when lifting or transporting the unit.

REPLACEMENT PARTS

Replacement parts available for order by calling 877-403-9001.

- A - WHEEL ASSEMBLY
- B - FRONT LATCH
- C - EXTENSION HANDLE
- D - HINGE
- E - SIDE HANDLE
- F - DRAIN
- G - PAD ASSEMBLY



WARRANTY



SOVARO Five Year Limited Warranty

Your SOVARO cooler has a FIVE YEAR LIMITED WARRANTY against product failure resulting from defects in manufacturing or materials. The warranty period starts on the delivery date. Incidental and consequential damages are not covered.

WARRANTY CLAIMS

To file a warranty claim contact our call center at 1-877-403-9001. SOVARO will repair or replace only the parts that failed under the terms of the warranty. In some cases, the replacement parts may not be identical, but they shall be of equal or greater performance than the original part. We may require proof of purchase. Proof of purchase may be the original dated receipt. We may require evidence of the failure. Evidence of failure may include photographs or returning failed components to SOVARO.

WARRANTY LIMITATIONS

THIS WARRANTY COVERS ONLY DEFECTS THAT AFFECT THE FORM, FIT OR FUNCTION OF THE UNIT. It excludes natural aging of the unit, discoloration, ordinary wear and tear, ordinary weathering, sunlight fading, or rust. It excludes staining caused by mold, mildew or tree sap and damage caused by animals including insects, vermin or household pets. The warranty does not cover damage caused by Acts of Nature including but not limited to: excessive wind; tornado; hurricane; microburst; hail; flood; blizzard; extreme heat; pollution or fire events. The following actions void the warranty: use

above intended and reasonable capacity; misuse; abuse; failure to perform ordinary maintenance; modification; cleaning with abrasive tools, exposing the unit to heat sources and vandalism. Painting, sandblasting, cleaning with harsh chemicals not recommended for plastics voids the warranty on resin components. Modification of the original product voids all warranties. SOVARO assumes no liability for any modified product or consequences resulting from failure of a modified product. Disassembly of this unit for reasons other than authorized repair voids the warranty

THIS WARRANTY IS NONTRANSFERABLE. IT IS VALID FOR NORMAL HOUSEHOLD USE ONLY. THE WARRANTY IS VOIDED BY COMMERCIAL OR INDUSTRIAL USE. THE MANUFACTURER'S LIABILITY HEREUNDER IS LIMITED SOLELY TO THE REPAIR OR REPLACEMENT OF THE DEFECTIVE PRODUCT OR PART AND THE MANUFACTURER SHALL IN NO EVENT BE LIABLE FOR ANY INCIDENTAL OR CONSEQUENTIAL DAMAGES WHICH MAY RESULT FROM ANY DEFECT IN MATERIAL OR WORKMANSHIP OR FROM THE BREACH OF ANY EXPRESS OR IMPLIED WARRANTY. This warranty gives you specific legal rights, and you may also have other rights which vary from state to state. Some states do not allow the exclusion or limitation of incidental or consequential damages; the limitation or exclusion may not apply to you.



FOLLOW US:



SOVARO
coolers



@sovarocoolers



SOVARO
coolers



SOVARO
coolers



SOVAROCOOLERS



SOVARO
coolers

PART # 0361387

1.877.403.9001 | SERVICE@SOVARO.COM | **SOVARO.**
© 2015 Sovaro Coolers, LLC. | Patents, www.Sovaro.com | All Rights Reserved.