



## Sunglo™ Patio Heaters Model A242



The Sunglo™ model A242 free-standing heater is ideal for open patio designs. This model offers the flexibility to move or remove the heaters as needed. Optional tie-down kit is available to secure heaters to patio deck as required. When used with optional hose kit make sure that hose pathway does not present a trip hazard. Heat coverage varies depending on the wind exposure on patio. The average spacing between these heaters is 12 feet apart.

This heater utilizes a manually operated control system requiring no electrical power. The pilot/safety system provides both convenience and safety.

This heater offers a large deep disk aluminum reflector for maximum comfort, a primary aerated burner for minimal noise, and 100% safety shutoff. The post is available in a variety of colors including black, green and bronze powder coat finishes or 304 stainless steel.

### Specifications:

Overall Height	93 inches
Input Rating	50,000 BTU/HR
Fuel Type	Natural Gas
Ignition	Pilot / Thermocouple
Electrical Required	None
Wind Rating	10 mph Horizontal
Nominal Spacing	12 feet
Mounting	Free Standing
Manufactured	United States
Certification	CSA International
Warranty	One Year / Parts Only

Mfr. by:

### **INFRARED DYNAMICS, INC.**

3830 Prospect Avenue  
Yorba Linda, CA 92886  
Toll Free: 1-888-317-5255  
[www.infradyne.com](http://www.infradyne.com)

PSA265 (V) (E)

A242

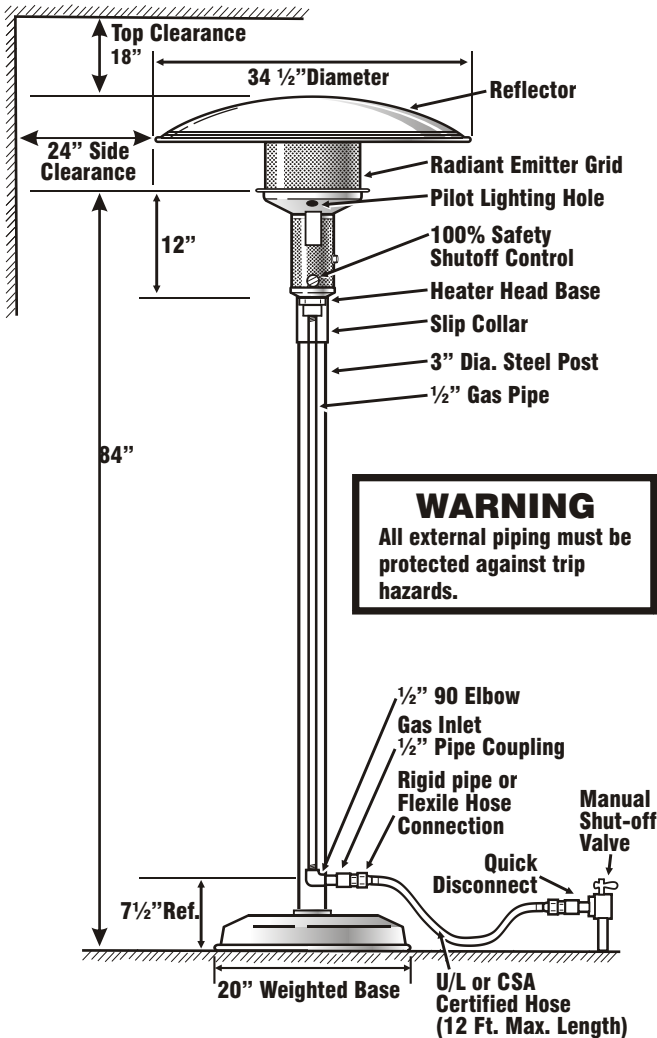
A244 (V) (E)

A270

Sunpak S25, S34



# Sunglo™ Patio Heaters Model A242



A242 free standing heater models are ideal for situations that require more flexibility. Heaters can be easily be moved about the patio, or completely removed when not needed. Optional quick connect hose system allows heaters to easily be disconnected and stored without the use of tools. In public facilities, a means for attaching these heaters to the deck may be required. A Tie-down Kit is available from the factory.

The required clearance from combustibile materials must be maintained on all heaters. In addition the heater must have adequate fresh air and ventilation to operate properly. Make sure you can meet these requirements in making your heater selection.

This specification sheet was designed as a brief summary about this heater. The primary use of this sheet should be for heater selection only. It should not be used as the sole guide in placement and installation of these heaters. Complete installation instructions can be obtained by calling toll free at 1-888-317-5255 and online at [www.infradyne.com](http://www.infradyne.com).

### Suggested Specifications:

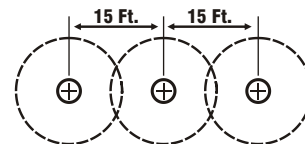
Heater shall be Sunglo™ model A242 as manufactured by Infrared Dynamics, Inc., Yorba Linda, California. All heaters shall be equipped with a control system for use with natural gas fuel. Each heater shall have passed the ANSI requirements for outdoor heaters.

Reflector shall be of a deep disk circular type mounted on top of heater.

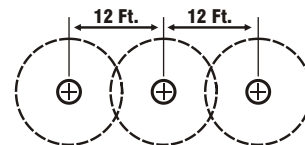
Infrared Radiant Emitter Grid shall be made of perforated stainless steel.

Each heater shall be equipped with a 100% safety shutoff device.

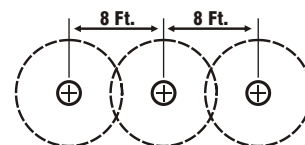
### SUGGESTED SPACING WHEN MULTIPLE HEATERS ARE USED:



Spacing For - WELL PROTECTED AREAS AND MILD CLIMATIC CONDITIONS



Spacing For - SEMI EXPOSED AREAS WITH AVERAGE WEATHER CONDITIONS



Spacing For - COMPLETELY EXPOSED AREAS WITH SEVERE WEATHER CONDITIONS