



## Overview

This post is for use with the permanent-mount Tempest Torch (SKU 94900743 NG, 94900753 LP) and 3" post (SKU 94800812).

## Packing List

Deck Mount (with 8 set-screws pre-installed)

(4) 3/8" x 4" Lag Screws

(4) 3/8-16 x 4" Bolts

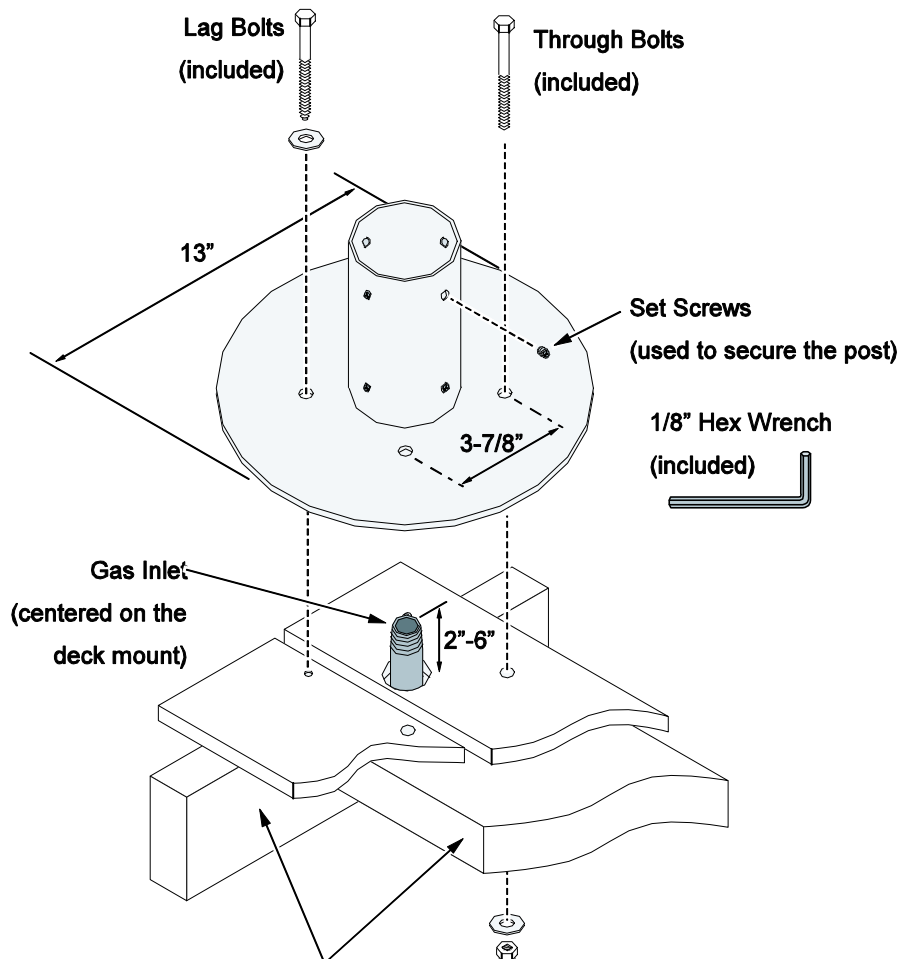
(4) 3/8-16 Lock-Nuts

(4) 3/8" Washers

1/8" Hex Wrench

## Deck Mount Attachment

**NOTE:** The illustration below is for example only. Make sure to follow all gas line and building code requirements for your location. The base may be shimmed to level the mount.



The post mount **must be secured to deck framing in four locations** (or other secure footing - the deck surface is not adequate for proper support).



# Tempest™ Deck Post

(sku 94800812)

## Overview

This post is for use with the permanent-mount Tempest Torch (SKU 94900743 NG, 94900753 LP) and Deck Mount (SKU 94800821). We recommend the post be installed by a qualified installer.

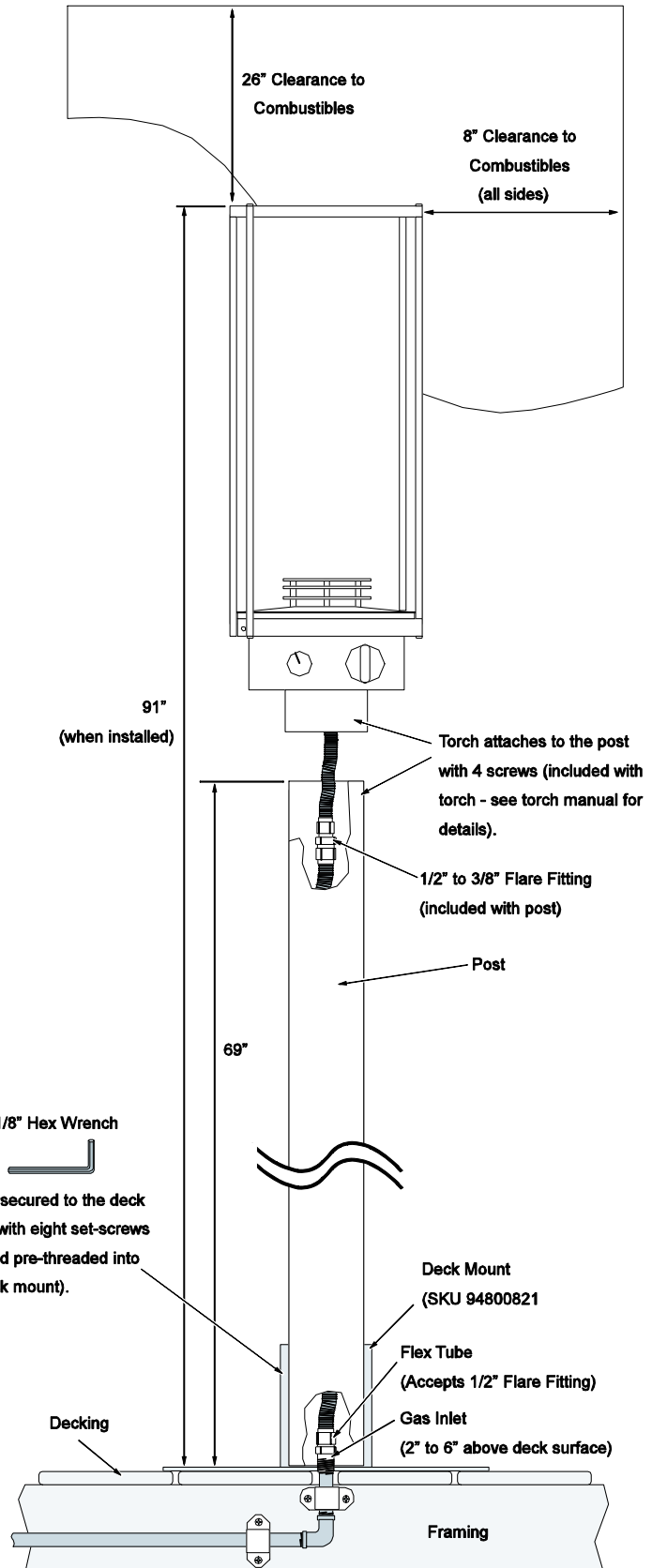
## Packing List

- Torch Post (69")
- Stainless Flex Line (75")
- Tube Fitting (1/2" to 3/8" Flare – to connect flex line to torch)

## Post Attachment

### NOTE:

The illustration to the right is for example only. Make sure to follow all gas line and building code requirements for your location. Leak test all connections before use.





TRAVIS INDUSTRIES  
HOUSE OF FIRE

# Tempest™ Post Cover, Square Black

(sku 94800827)

## **Installation Note**

This post cover fits over the deck mount to conceal the mounting bolts and provide a decorative appearance. Slide the cover over the post before tightening the post to the deck mount.

Cover Dimensions: 13-1/2" by 13-1/2"

**NOTE:** The magnets on the bottom of the cover should remain slightly loose. This allows the magnets to attach to the deck mount even if the deck surface is slightly uneven.

