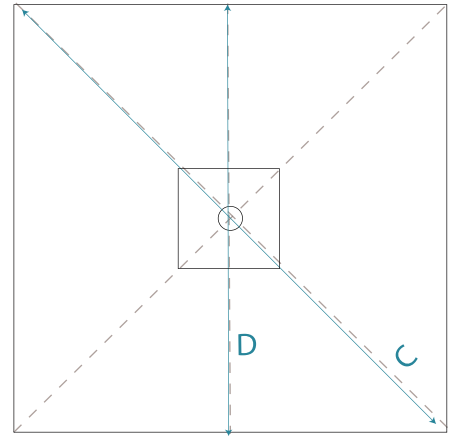
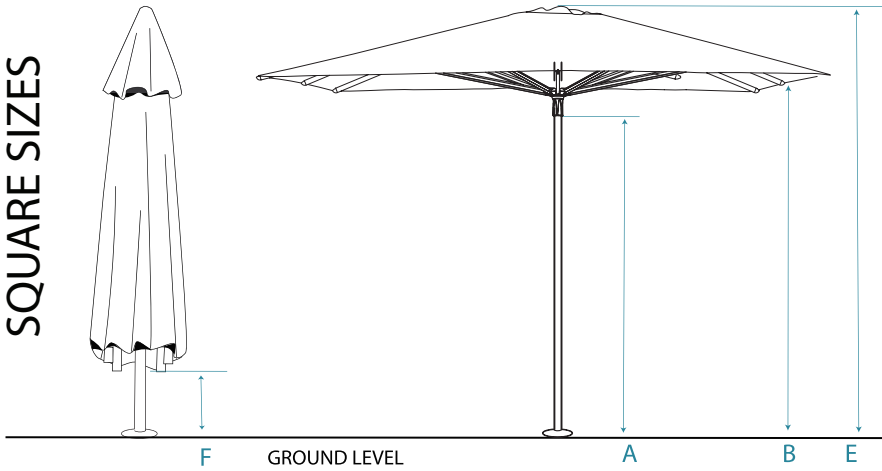
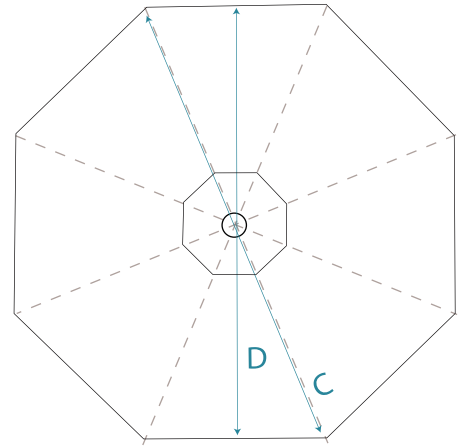
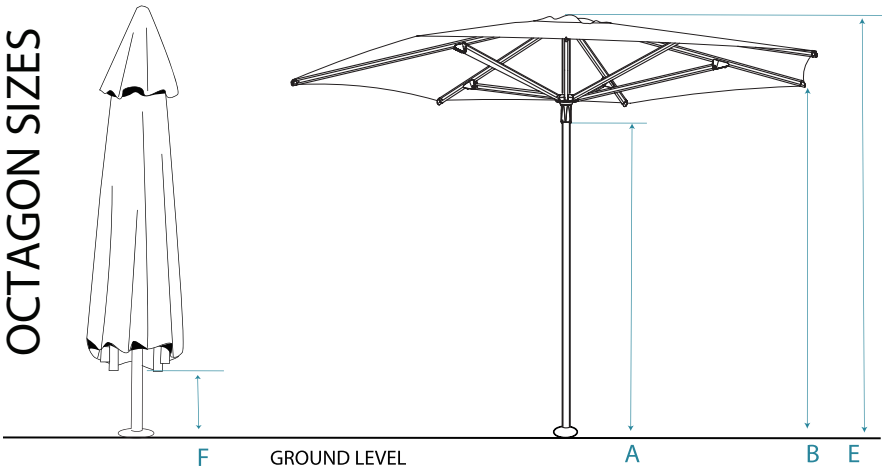


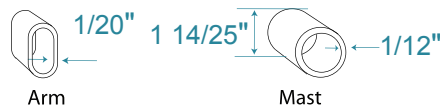
SQUARE SIZES



OCTAGON SIZES



| LIBRA SPECIFICATIONS | | 2.0 M 6' 6" Square | 2.5 M 8' 2" Square | 2.5 M 8' 2" Octagon |
|----------------------|---------------------------------|--------------------------|--------------------------|---------------------------|
| A | Hub above ground | 6'1" | 6'1" | 6' |
| B | Arms above ground | 6'5" | 6'5" | 6'8" |
| C | Canopy diameter/ diagonally | 9'1" | 11'5" | 8'1" |
| D | Canopy Width | 6'6" | 8'2" | 7'6" |
| E | Total overall height | 7'8" | 8' | 7'8" |
| F | Height of arms when folded down | 3'1" | 2'2" | 3'7" |



Mast is 1 14/25" diameter and 1/12" thick.
Arm thickness is 1/20".