

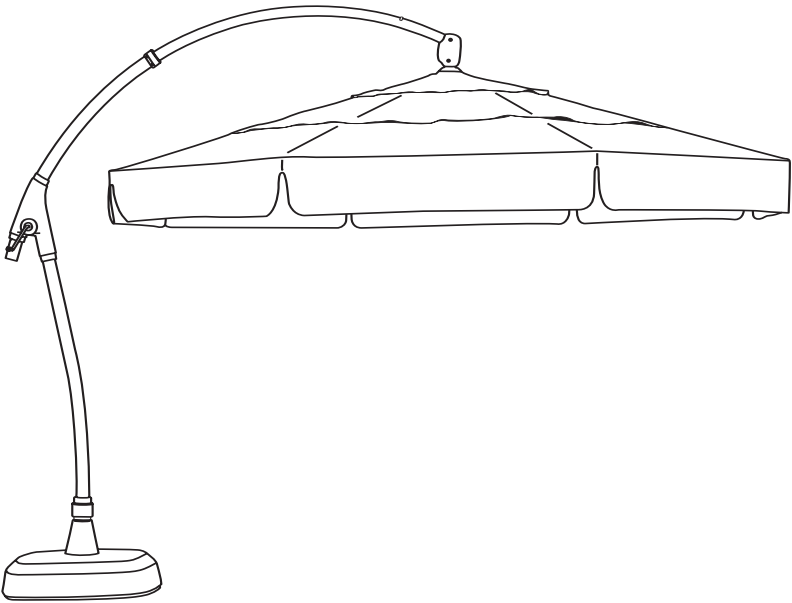
 TREASURE GARDEN

AG28

11'oc/10'sq

Cantilever

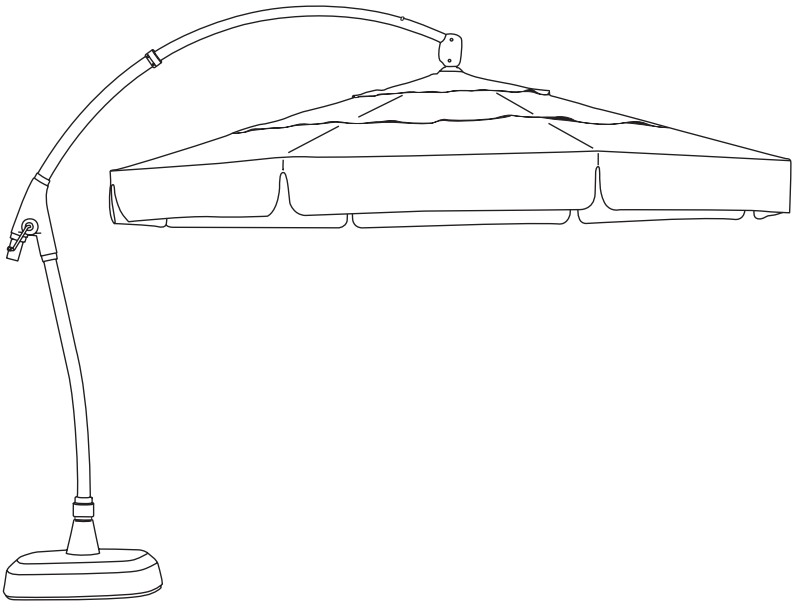
Assembly and Operation Guide



Thank you for your purchase of Treasure Garden's AG28 Cantilever Umbrella.

Please remove all contents from the package, inspect and review checklist.

CAUTION: To reduce personal injury and damage to your AG28, read and follow this assembly and operation guide. We recommend a two-person team for assembly and disassembly. *Save information for future reference.*

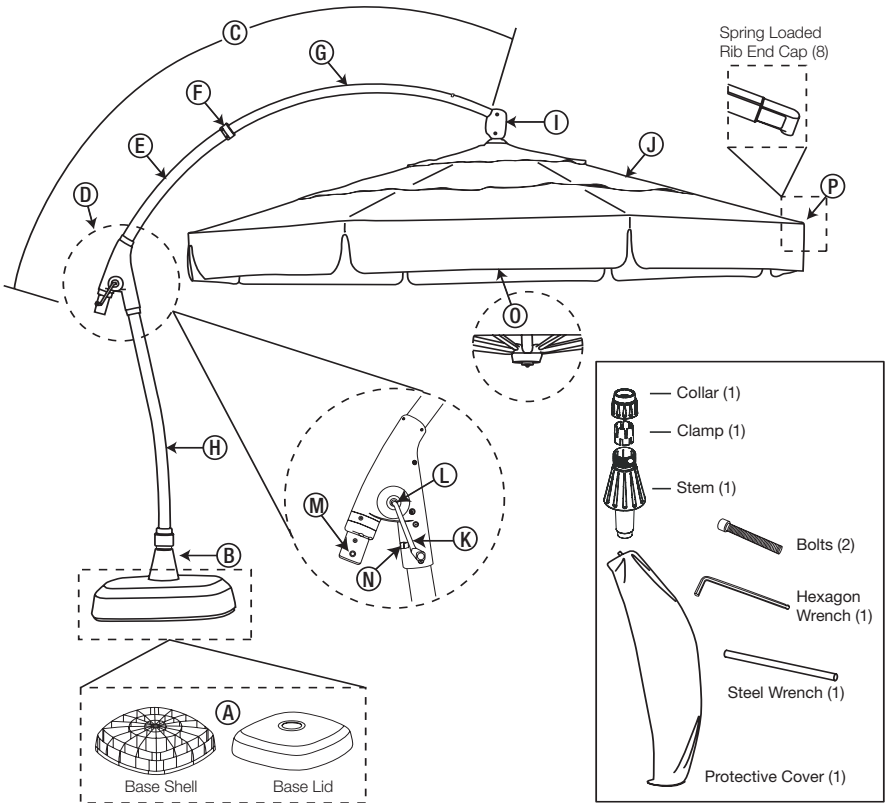


Prior to assembly it is important to decide on the location of the AG28 umbrella. The umbrella measures approximately 10.25 ft. in height when open.

- Allow ample height to avoid damage to your umbrella during assembly and usage.
- Choose a location that is level and sturdy.
- Avoid any sloping or soft ground cover.
- Consider a location that will maximize the umbrella's rotating swivel function. Placing the AG28 between two entertaining areas is ideal.

AG28 CHECKLIST

- | | |
|-----------------------------|--|
| A - Base Shell and Base Lid | I - Gemel Hinge |
| B - Collar Base Stem | J - Double Wind Vent Canopy |
| C - Main Frame | K - Removable Crank Handle |
| D - Housing | L - Socket A - <i>To open and extend arm</i> |
| E - Outer Frame Arm | M - Socket B - <i>To open canopy</i> |
| F - Arm Connector | N - Crank Handle Storage |
| G - Inner Frame Arm | O - Vega™ Light Adapter |
| H - Bottom Pole | P - Spring Loaded Rib End Cap |




REQUIRED FOR ASSEMBLY:

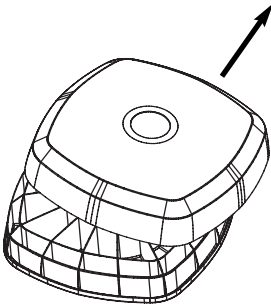
- 200 lbs. playground sand (not included).
- NOTE:** Avoid allowing sand into the center of the base shell.



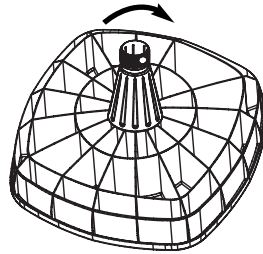
STEP 1 Assemble AG28 Base

Select area to set base and place in desired location.

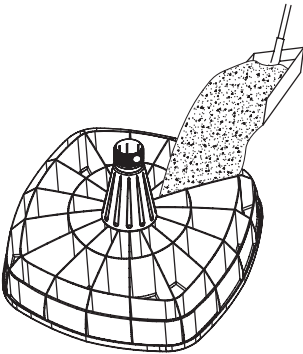
Remove base lid from base shell and set aside (Fig. 1). Insert the base stem into the base shell (Fig. 2). Turn collar base stem in a clockwise  motion to engage threading. Fill base shell with dry playground sand (not included). When filling base, it is necessary to wet down sand after partial installation. (Fig. 3) Fill base with remaining sand and repeat wet down. **NOTE:** Base weight will be 250 lbs. after sand is added. Remove the base stem carefully and avoid allowing sand into the center of the base shell (Fig. 4). **IMPORTANT:** Do not allow sand to spill into the center of the base (Fig. 4) as it will interfere with collar base stem installation. Place base lid back onto base shell.



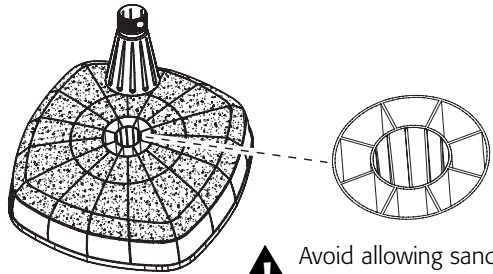
(Fig. 1)




(Fig. 2)



(Fig. 3)




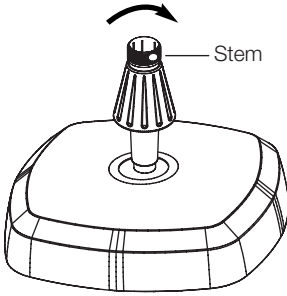
(Fig. 4)

 Avoid allowing sand into the center of the base shell.

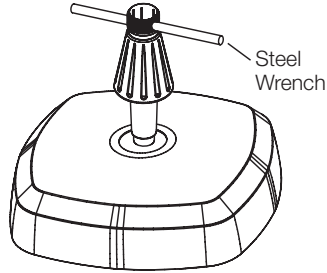
CAUTION: Fully assembled, the AG28 umbrella weighs over 300 lbs. Moving the umbrella fully assembled will increase the risk of damage to your umbrella and can cause serious injury. We recommend a two-person team to assemble the umbrella.

STEP 2 Assemble AG28 Collar Base Stem

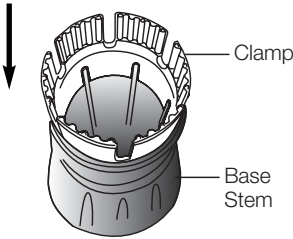
Re-insert the base stem into the base shell. Turn collar base stem in a clockwise  motion to engage threading (Fig. 5). Insert steel wrench provided into holes on top of stem and tighten (Fig. 6). **NOTE:** To avoid damage to your base, do not over-tighten base stem. With ribbed side up, insert clamp onto base stem and align gaps with base stem grooves (Fig. 7). Attach collar to top of the base stem by engaging threading. *Do not completely tighten before inserting AG28 umbrella* (Fig. 8).



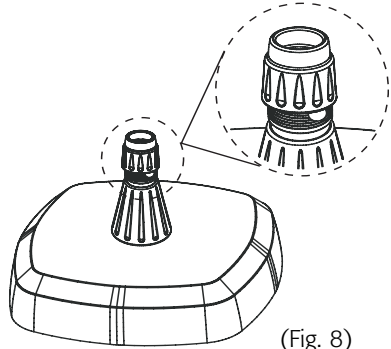
(Fig. 5)



(Fig. 6)






(Fig. 7)

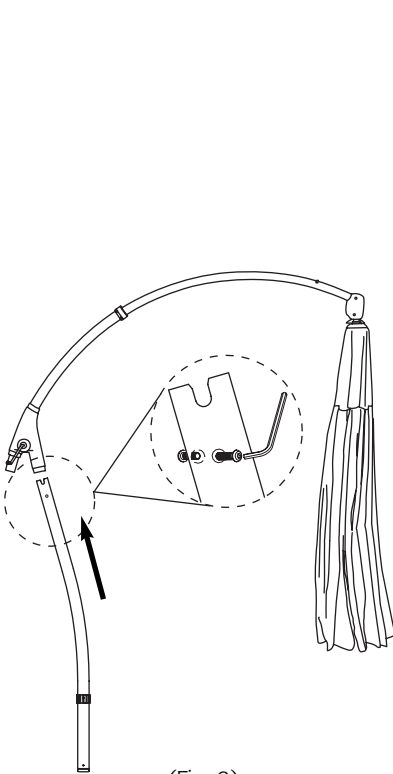


(Fig. 8)

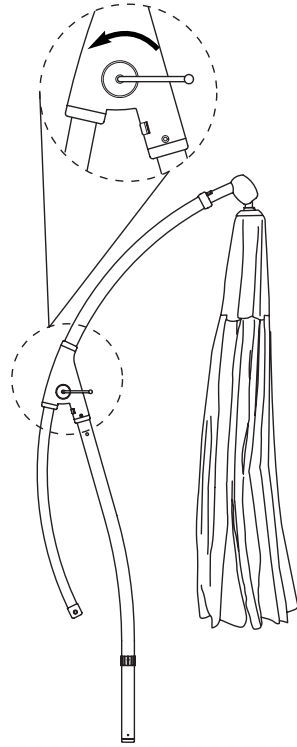
STEP 3 Assemble AG28 Frame

Attach the bottom pole into the housing, *bottom pole only fits one way*. Line up holes and secure the two bolts with hexagon wrench (Fig. 9). Insert crank handle into socket A of housing (Fig. 10). Crank the handle counter-clockwise  until arm stops. To prepare base for umbrella, release collar base stem by turning the collar counter-clockwise  (Fig. 11). Install umbrella frame into collar base stem. **(Two Persons Required)** Secure position by tightening the collar in a clockwise direction (Fig. 12). 

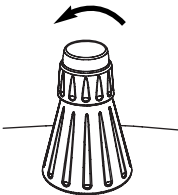
NOTE: Cantilever will open counter-clockwise but is not designed to be operated in that manner.



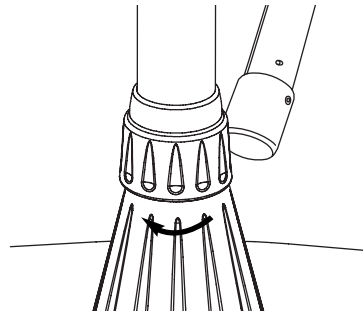
(Fig. 9)



(Fig. 10)




(Fig. 11)




(Fig. 12)

STEP 4 Opening and Closing


To Open and Extend Arm:

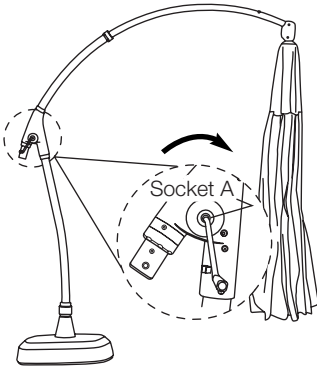
Insert crank handle fully into socket A (Fig. 13), crank handle will snap into place, then slowly crank the handle clockwise  until crank handle stops and arm is fully extended. **CAUTION:** Arm must be fully extended before retracting. Do not over crank, as it will damage your umbrella.

To Open Canopy:

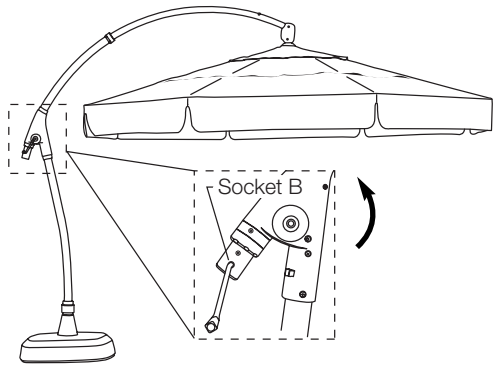
Insert crank handle fully into socket B (Fig. 14), crank handle will snap into place, then slowly crank the handle clockwise  until canopy is completely open and hub is inserted under center pole and crank handle stops.

To Close Canopy:

Set canopy to horizontal position and turn crank handle socket B counter-clockwise. 




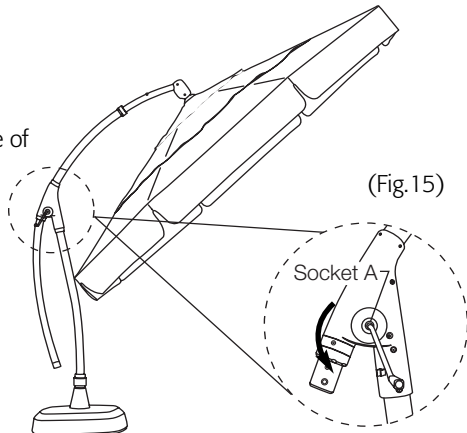
(Fig.13)



(Fig.14)



To Adjust Vertical Shade:

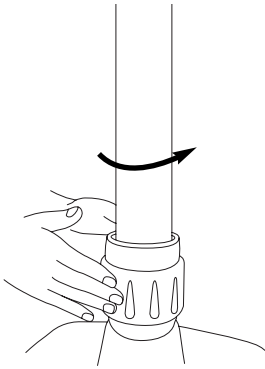
Insert crank handle into socket A (Fig. 15) and slowly crank counter-clockwise  to desired degree of vertical shade.



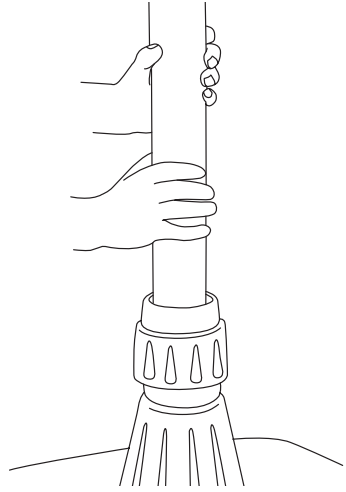
(Fig.15)

Base Collar Swivel:

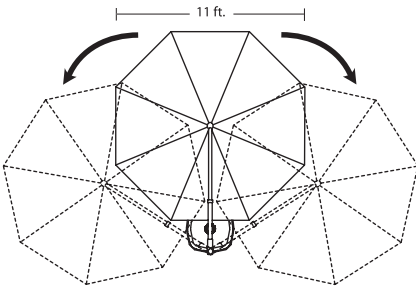
Unlock the position of the umbrella by turning the collar of the base in a counter-clockwise direction  (Fig. 16). Grab the bottom pole and rotate the umbrella frame (Fig. 17) in either direction to choose your desired location (Fig. 18). After desired location is chosen, return the base collar back to its original position and lock umbrella position by turning the collar clockwise  (Fig. 19).



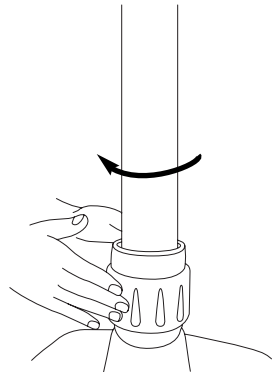
(Fig. 16)



(Fig. 17)




(Fig. 18)



(Fig. 19)


To ATTACH VEGA Umbrella Light:

Loosen the VEGA light adapter built into the umbrella runner by turning counter-clockwise  (Fig. 20). After loosening, pull down light adapter post (Fig. 21) to attach the VEGA umbrella light (sold separately).

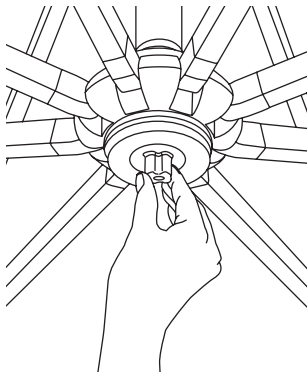
To OPEN and ATTACH VEGA:

Open the VEGA umbrella light by holding firmly with one hand and then depress the clamp release button with the other hand to release the clamp lock. Open up the VEGA light and clasp around the light adapter post (Fig. 22). Snap to close (Fig. 23).

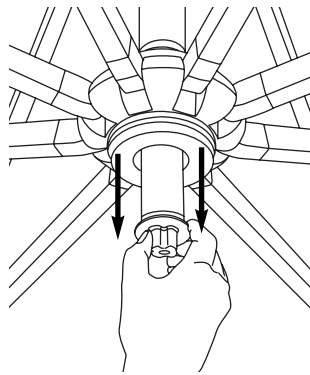
To REMOVE VEGA and CLOSE adapter:

Hold the VEGA umbrella light, depress the clamp release button to release the clamp lock. Remove VEGA umbrella light, and gently push up the light adapter post back into umbrella runner and tighten turning clockwise .

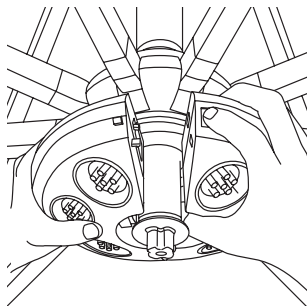
NOTE: Does not have to be removed to close umbrella.



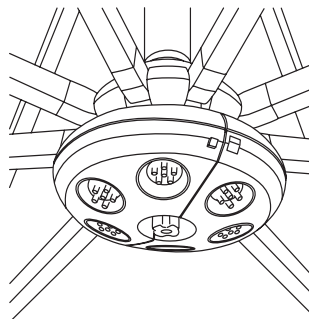
(Fig. 20)



(Fig. 21)



(Fig. 22)



(Fig. 23)

S A F E T Y P R E C A U T I O N S :

- Close the umbrella in windy conditions or when a storm approaches. Never allow the umbrella to flap in the wind; this could damage the canopy.
- Do not leave open umbrella unattended. If damage occurs, this is not covered by the warranty.
- When adjusting the umbrella, make sure that no person(s) or item(s) are close to the umbrella. This is important to prevent injury or material damage.

C A R E A N D M A I N T E N A N C E :

- When not in use, close and cover umbrella with a protective cover (included).
- Allow a wet canopy to dry in open position.
- If necessary, clean the fabric with lukewarm water, mild detergent, and a sponge.
- Wipe sliding marks on the aluminum poles with a damp cloth.

Winter Storage:

- Store in a dry, protected place.
- Any visible defects must be repaired by a professional.

After the Winter:

- Areas subject to turning and sliding can be treated with a non-staining lubricant spray (silicone-based).
- Check the condition and function of the umbrella. Any defects must be repaired by a professional.

CAUTION: Fully assembled, the AG28 umbrella weighs over 300 lbs. Moving the umbrella fully assembled will increase the risk of damage to your umbrella and can cause serious injury. *We recommend a two-person team to assemble or disassemble the umbrella.*

WARRANTY:

Treasure Garden warrants this product (in residential use) to be free from defects in original materials and workmanship for a period of 1 year from the date of purchase. If a defect in the original material or workmanship appears during the warranty period; Treasure Garden will (at its option) repair or replace the product without charge. Limited warranty against fabric fading, based on fabric grade.

Simply contact your original authorized Treasure Garden dealer with a description of the defect. The dealer will verify the defect and work closely with Treasure Garden to obtain the necessary service. In many cases, simple problems can be solved with a replacement part that can be shipped directly to the dealer for professional installation/repair.

In the event that warranted factory service is required, Treasure Garden will assume the responsibility of the return freight charges on warranted product for the first year only.

Returned product that (upon receipt and inspection) is deemed to be "not covered" under our warranty, will be shipped/billed at your expense.

This warranty gives you specific legal rights, and you may have other rights which vary from state to state.

NOTE: Failure caused by unreasonable or abusive use, or failure caused by neglect of reasonable and necessary care are not covered by this warranty.

Additionally, acts of nature (including but not limited to wind, hurricanes, tornadoes, and storms) are not covered by this warranty.