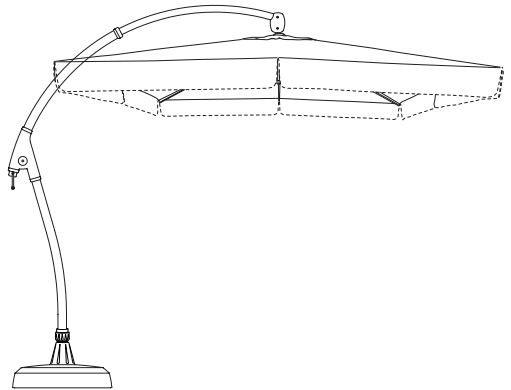
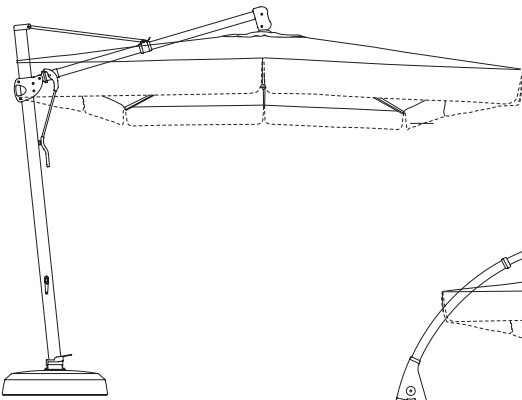


 TREASURE GARDEN

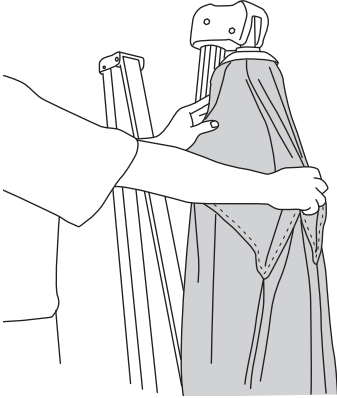
AKZ/AKZSQ AG28/AG28SQ 11'oc/10'sq **Canopy Replacement**

Assembly and Operation Guide

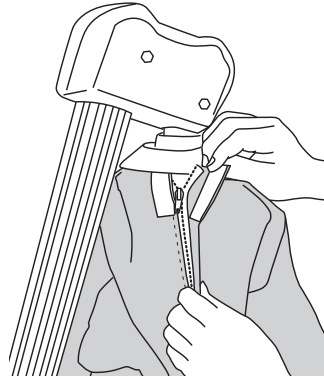


STEP 3

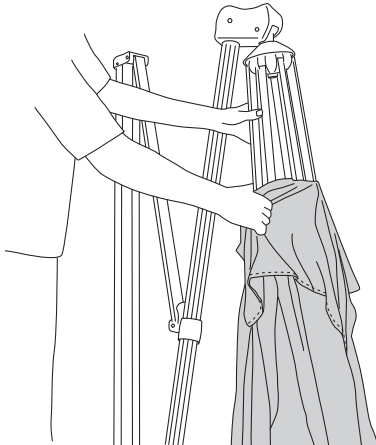
From the top of the canopy, twist the back of the canopy towards you so you can access the velcro and zipper (Fig. 4). Open velcro flap and unzip canopy (Fig. 5). Begin to slide canopy down ribs (Fig. 6). Safely step down ladder and continue to remove canopy (Fig. 7).



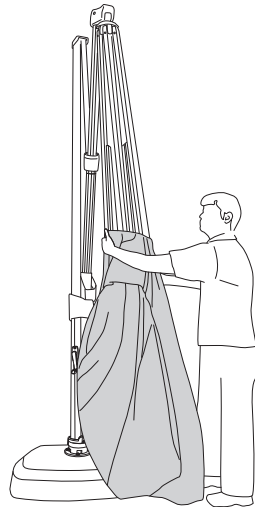
(Fig. 4)



(Fig. 5)



(Fig. 6)



(Fig. 7)

STEP 5

When you reach the top of the umbrella, slide canopy down under cap (Fig. 12).

NOTE: Make sure velcro and zipper on canopy are facing the back side (towards the canopy support arm). Velcro top together first to keep canopy from sliding back down ribs (Fig. 13).

Zip up canopy and velcro flap together (Fig. 14). Tuck canopy under cap.

