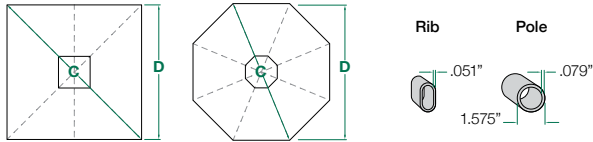
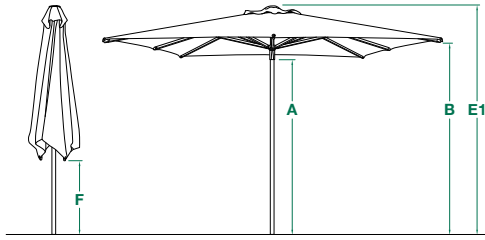
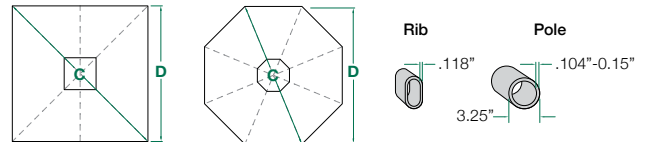
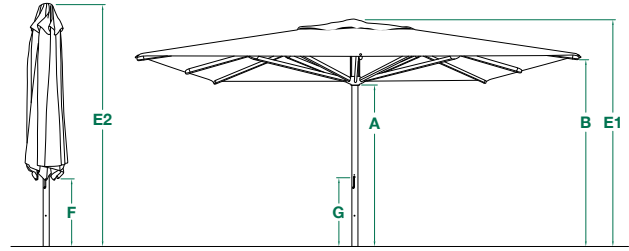


PRODUCT SPECIFICATIONS

LIBRA



ASTRAL-TC

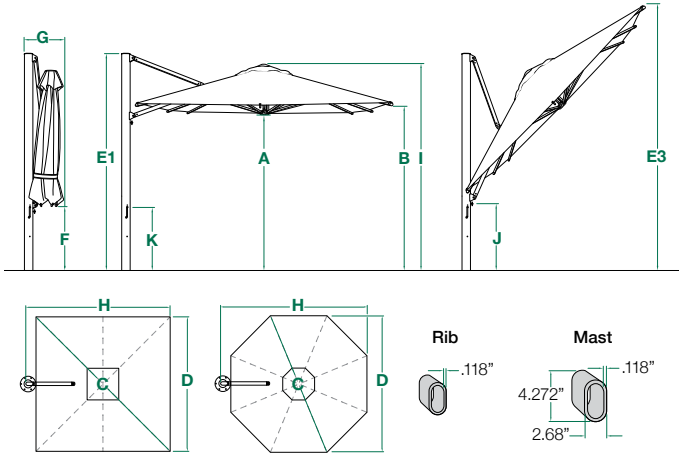


Key	Description	LIBRA-20S	LIBRA-25S	LIBRA-25	ASTRAL-TC-35S	ASTRAL-TC-40S	ASTRAL-TC-50S	ASTRAL-TC-50
	Canopy Shape	Square	Square	Octagon	Square	Square	Square	Octagon
	Coverage	43 sq. ft.	67 sq. ft.	52 sq. ft.	131 sq. ft.	172 sq. ft.	266 sq. ft.	210 sq. ft.
	Ribs	4	8	8	8	8	8	8
	Size	2.0m 6' 6"	2.5m 8' 2"	2.5m 8' 2"	3.5m 11' 5"	4.0m 13' 1"	5.0m 16' 4"	5.0m 16' 4"
A	Lower Hub HEIGHT (Open)	6' 1"	6' 1"	6'	7' 1"	7'	6' 8"	7' 1"
B	Rib End HEIGHT (Open)	6' 5"	6' 5"	6' 8"	7' 5"	7' 4"	7' 5"	7' 5"
C	Canopy LENGTH (Diagonal)	9' 1"	11' 5"	8' 1"	16' 2"	18' 6"	23' 2"	16' 4"
D	Canopy WIDTH	6' 6"	8' 2"	7' 6"	11' 5"	13' 1"	16' 4"	15' 2"
E1	Overall HEIGHT (Open)	7' 8"	8"	7' 8"	9' 2"	9' 4"	9' 6"	9' 2"
E2	Overall HEIGHT (Closed)	n/a	n/a	n/a	11' 5"	12'	13' 3"	12' 3"
F	Rib End HEIGHT (Closed)	3' 1"	2' 2"	3' 7"	3' 4"	2' 11"	1' 8"	3' 4"
G	HEIGHT to Crank Handle	n/a	n/a	n/a	2' 8"	2' 8"	2' 4"	2' 8"
	Min. Base Weight	100 lbs.	100 lbs.	100 lbs.	400 lbs.	500 lbs.	700 lbs.*	600 lbs.*
	MSRP Price Group 1 Sunbrella® Awning Grade							
	MSRP Price Group 2 O'bravia® Awning Grade Sunbrella® / Outdura® / Docril® Furniture Grade							

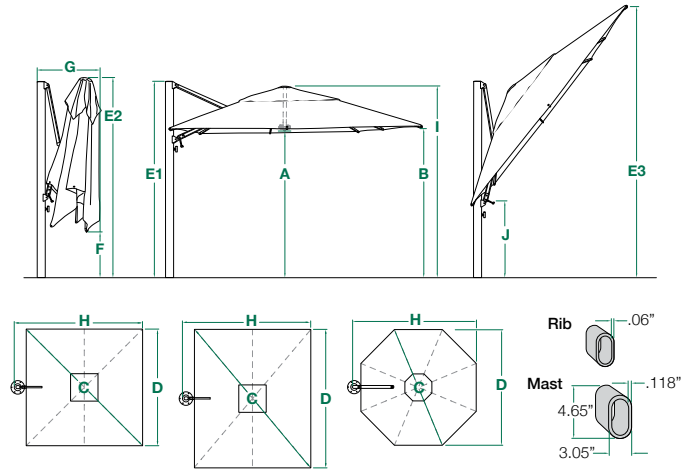
* Permanent mount recommended.

PRODUCT SPECIFICATIONS

SIRIUS



POLARIS

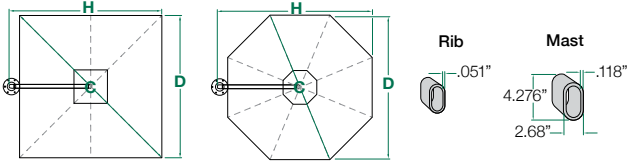
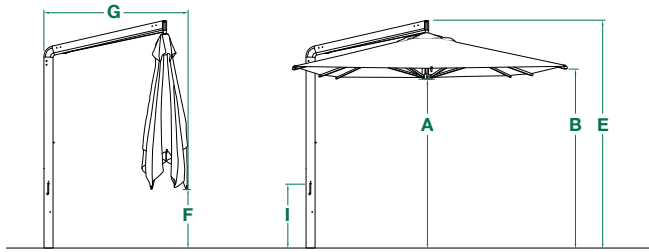


Key	Description	SR-27S	SR-30S	SR-30	SR-35	POLARIS-30S	POLARIS-35S	POLARIS-340RT	POLARIS-40S	POLARIS-40
	Canopy Shape	Square	Square	Octagon	Octagon	Square	Square	Rectangle	Square	Octagon
	Coverage	77 sq. ft.	95 sq. ft.	75 sq. ft.	103 sq. ft.	95 sq. ft.	131 sq. ft.	130 sq. ft.	172 sq. ft.	134 sq. ft.
	Ribs	8	8	8	8	8	8	8	8	8
	Size	2.7m 8' 9"	3.0m 9' 9"	3.0m 9' 9"	3.5m 11' 5"	3.0m 9' 9"	3.5m 11' 5"	3.0mx4.0m 10'x13'	4.0m 13' 1"	4.0m 13' 1"
A	Lower Hub HEIGHT (Open)	6' 4"	6' 4"	6' 6"	6' 8"	7'	7' 6"	7' 2"	7' 8"	7' 4"
B	Rib End HEIGHT (Open)	6' 8"	6' 8"	6' 11"	7'	7'	7' 3"	7' 5"	7' 3"	7' 3"
C	Canopy LENGTH (Diagonal)	12' 6"	13' 11"	8' 10"	10' 2"	13' 11"	16' 3"	16' 4"	18' 7"	12' 6"
D	Canopy WIDTH	8' 9"	9' 9"	9' 9"	11' 5"	9' 10"	11' 6"	9' 10" / 13' 1"	13' 1"	13' 1"
E1	HEIGHT to Mast Top	8' 9"	9'	8' 11"	8' 11"	9' 2"	9' 5"	9' 6"	9' 6"	9' 7"
E2	Overall HEIGHT (Closed)	n/a	n/a	n/a	n/a	9' 4"	9' 6"	9' 6"	10' 2"	9' 11"
E3	Overall HEIGHT (Max Tilt)	13' 9"	14' 7"	12' 5"	12' 11"	13' 1"	13' 10"	13'	15' 3"	15' 1"
F	Rib End HEIGHT (Closed)	2'	1' 7"	3' 5"	2' 10"	2' 4"	1' 4"	1' 4"	1' 1"	3' 4"
G	Mast End to Canopy Edge (Closed)	1' 8"	1' 8"	1' 8"	1' 8"	1' 7"	1' 7"	1' 7"	1' 8"	2'
H	Mast End to Canopy Edge (Open)	9' 11"	11'	10' 5"	11' 9"	11'	12' 9"	11' 2"	14' 3"	13' 11"
I	HEIGHT to Canopy Top (Open)	8' 5"	8' 5"	8' 5"	8' 5"	8' 8"	9' 3"	9' 2"	9' 8"	9' 4"
J	HEIGHT to Slider Car (Max Tilt)	3' 1"	3' 1"	3' 2"	2' 10"	3' 11"	3'	3' 8"	3' 8"	2' 11"
K	HEIGHT to Crank Handle	2' 11"	2' 11"	2' 11"	2' 11"	n/a	n/a	n/a	n/a	n/a
	Min. Base Weight	350 lbs.	350 lbs.	350 lbs.	450 lbs.	450 lbs.	550 lbs.	550 lbs.	750 lbs..*	750 lbs..*
	MSRP Price Group 1 Sunbrella® Awning Grade									
	MSRP Price Group 2 O'bravia® Awning Grade Sunbrella® / Outdura® / Docril® Furniture Grade									

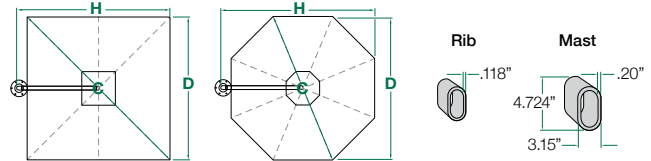
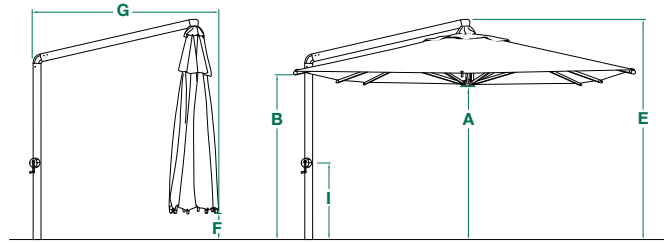
* Permanent mount recommended.

PRODUCT SPECIFICATIONS

ORION



GALAXY



Key	Description	OR-27S	OR-30S	OR-30	OR-40	GALAXY-35S	GALAXY-40S	GALAXY-50
	Canopy Shape	Square	Square	Octagon	Octagon	Square	Square	Octagon
	Coverage	77 sq. ft.	95 sq. ft.	75 sq. ft.	134 sq. ft.	131 sq. ft.	172 sq. ft.	210 sq. ft.
	Ribs	8	8	8	8	8	8	8
	Size	2.7m 8' 9"	3.0m 9' 9"	3.0m 9' 9"	4.0m 13' 1"	3.5m 11' 5"	4.0m 13' 1"	5.0m 16' 4"
A	Lower Hub HEIGHT (Open)	6' 8"	7'	6' 7"	7' 1"	7' 6"	7' 1"	7' 5"
B	Rib End HEIGHT (Open)	6' 9"	6' 11"	7'	7' 4"	7' 11"	7' 5"	7' 6"
C	Canopy LENGTH (Diagonal)	12' 6"	13' 10"	9' 9"	13' 1"	16' 5"	18' 8"	16' 4"
D	Canopy WIDTH	8' 9"	9' 9"	8' 8"	11' 8"	11' 7"	13' 3"	15' 6"
E	Overall HEIGHT	9' 3"	9' 7"	8' 11"	9' 10"	10' 1"	9' 10"	10' 2"
F	Rib End HEIGHT (Closed)	2' 4"	1' 9"	3' 6"	2' 6"	1' 4"	9"	1' 2"
G	Mast End to Canopy Edge (Closed)	5' 9"	6' 2"	5' 4"	7' 3"	7' 9"	7' 8"	8' 3"
H	Mast End to Canopy Edge (Open)	9' 6"	10' 6"	9' 4"	12' 3"	12' 11"	14' 6"	16' 6"
I	HEIGHT to Crank Handle	3' 1"	3' 1"	3' 1"	3' 1"	3' 1"	3' 1"	3' 1"
	Min. Base Weight	350 lbs.	350 lbs.	350 lbs.	500 lbs.	Mount	Mount	Mount
	MSRP Price Group 1 Sunbrella® Awning Grade							
	MSRP Price Group 2 O'bravia® Awning Grade Sunbrella® / Outdura® / Docril® Furniture Grade							

NOTE: It is imperative that the eight (8) spacer buttons (white plastic cups/screws) are installed after the canopy is opened for the first time.