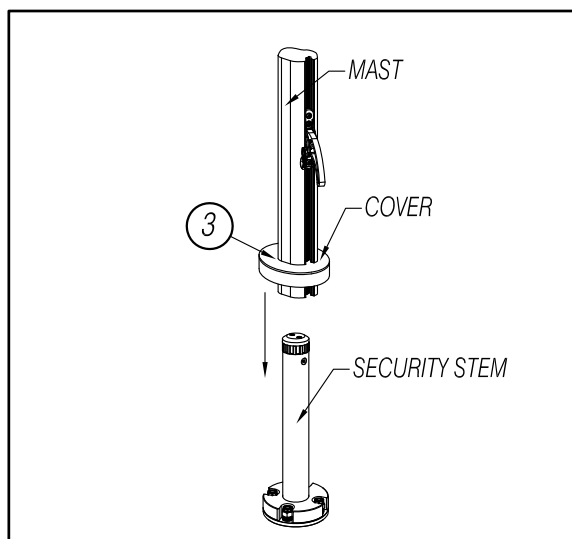
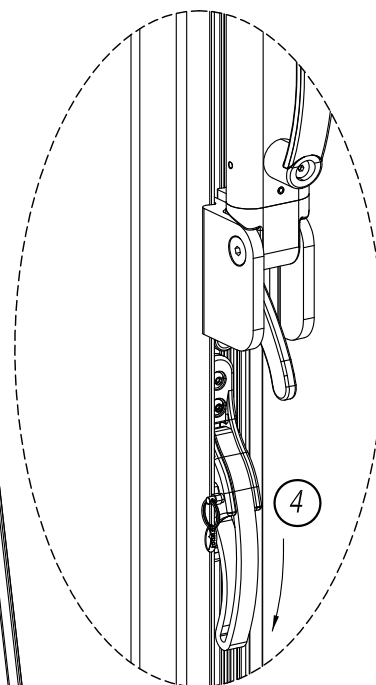
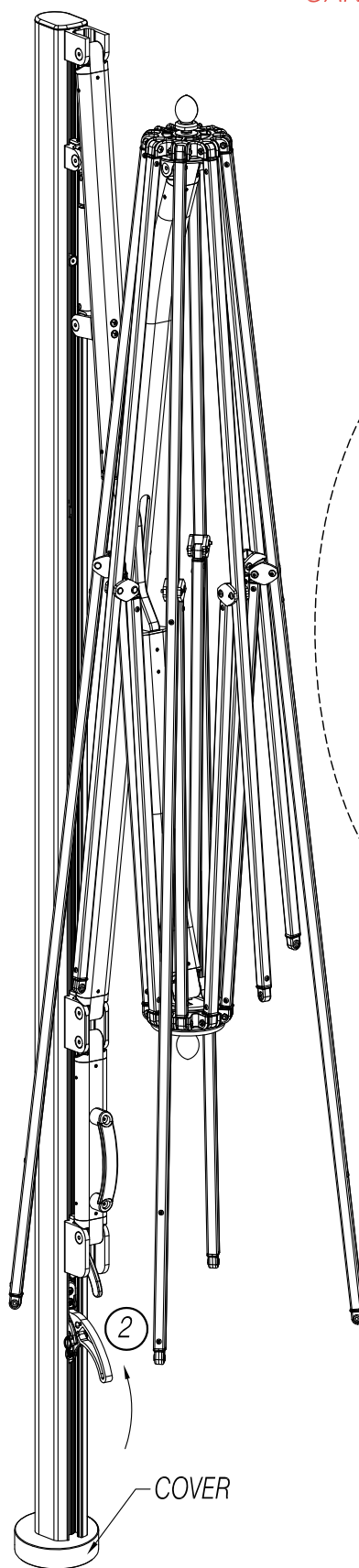
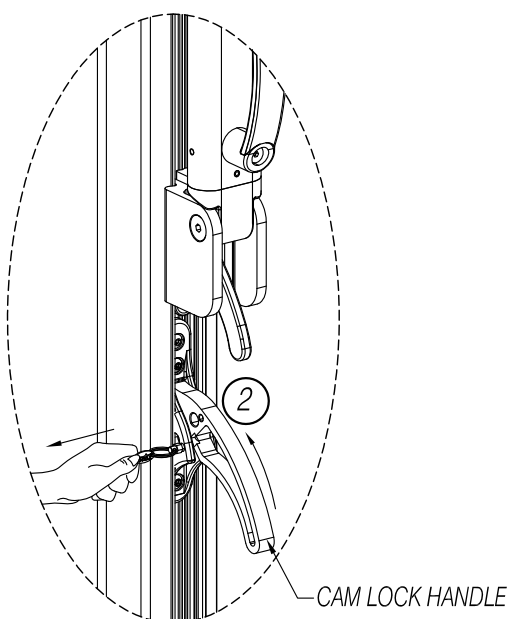


# OPERATING INSTRUCTIONS

BAY MASTER AND VINEYARD  
CANTILEVER PARASOL

- ① Remove all packaging from umbrella, including inside the umbrella.
- ② Pull pin to unlock cam lock handle. Make sure cam lock handle is open per drawing shown.
- ③ Insert cover on to mast. Place Umbrella on SECURITY STEM.
- ④ Push cam lock handle (per drawing shown) until engaged in the proper gear slot with the cam lock handle in the downward position.

*\* To rotate umbrella: Pull pin to unlock cam lock handle, pull up and turn umbrella to desired location. Lock cam lock handle down.*



## global headquarters

2900 NW 35th Street  
Miami, FL 33142 USA

t 305.634.5116  
f 305.634.5119

info@tuuci.com  
www.tuuci.com

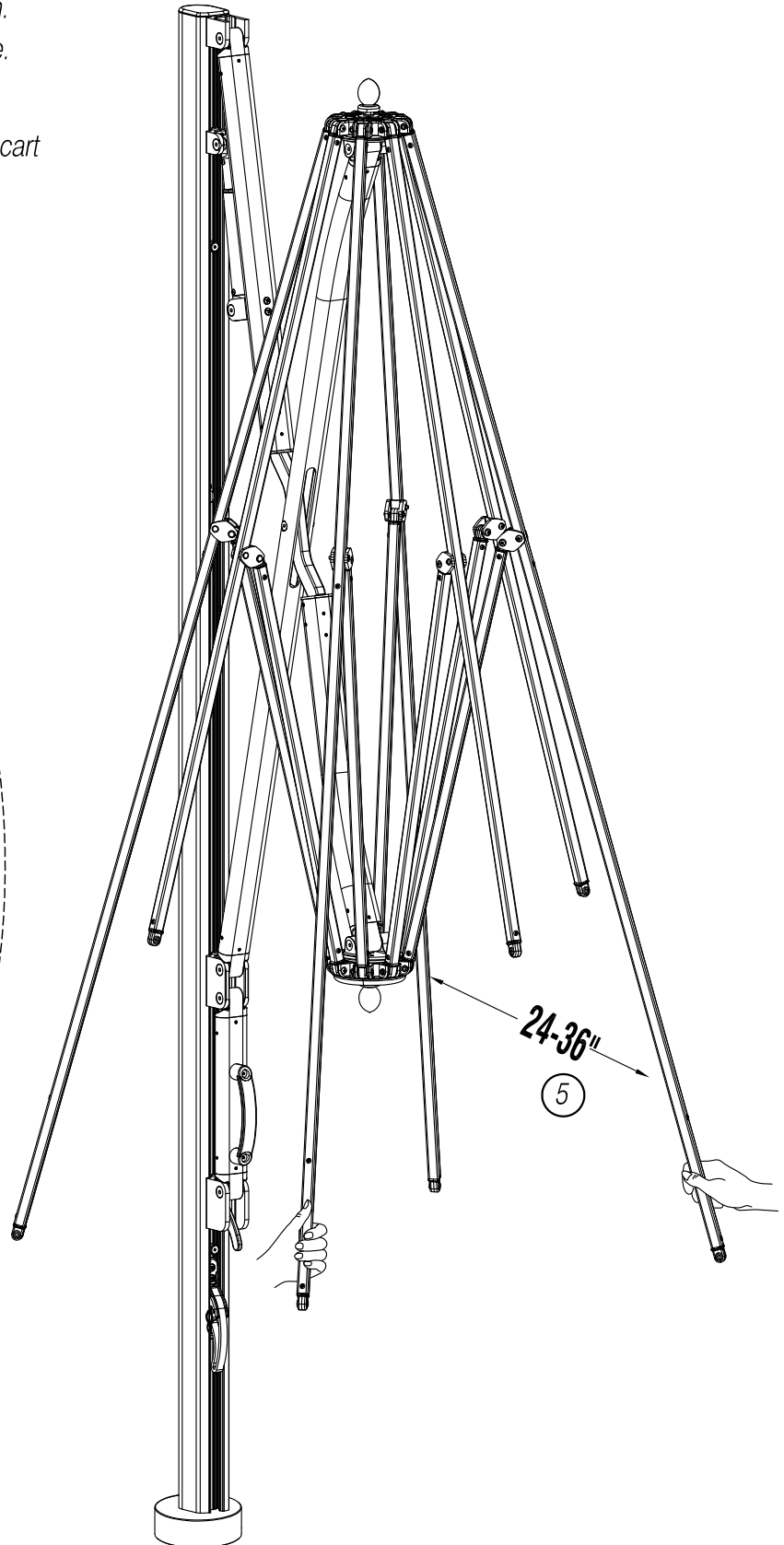
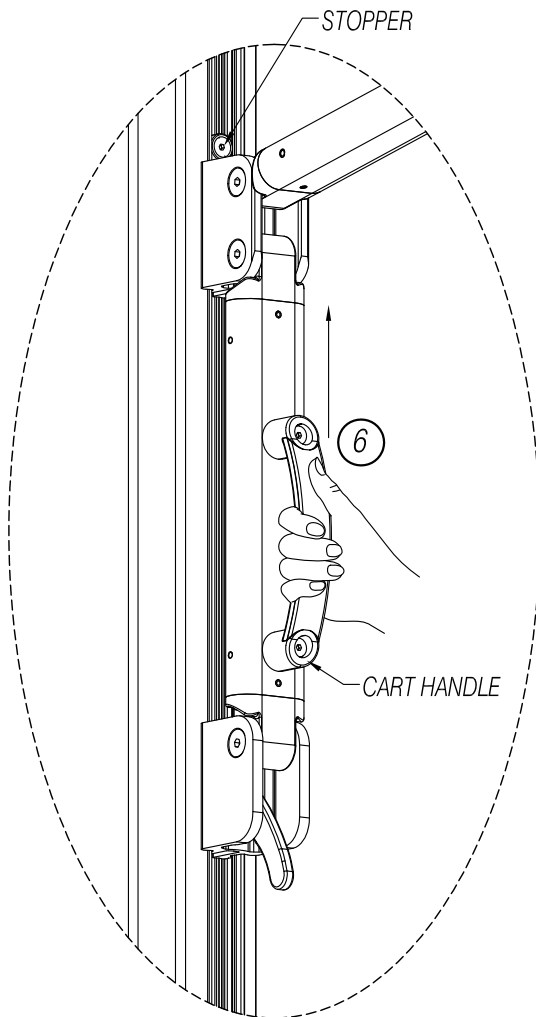
Version date: 04/01/2013 - REV: C - Page 1 of 3

**TUUCI**  
made in miami

# OPERATING INSTRUCTIONS

## BAY MASTER AND VINEYARD CANTILEVER PARASOL

- ⑤ Gently separate EACH RIB INDIVIDUALLY from center hub, approx. 24-36"/60-90Cm. If rib does not move easily, DO NOT force. Inspect product for additional packaging.
- ⑥ Push up Cart Handle to stopper until the cart is locked as per drawing show.



### global headquarters

2900 NW 35th Street  
Miami, FL 33142 USA

t 305.634.5116  
f 305.634.5119

info@tuuci.com  
www.tuuci.com

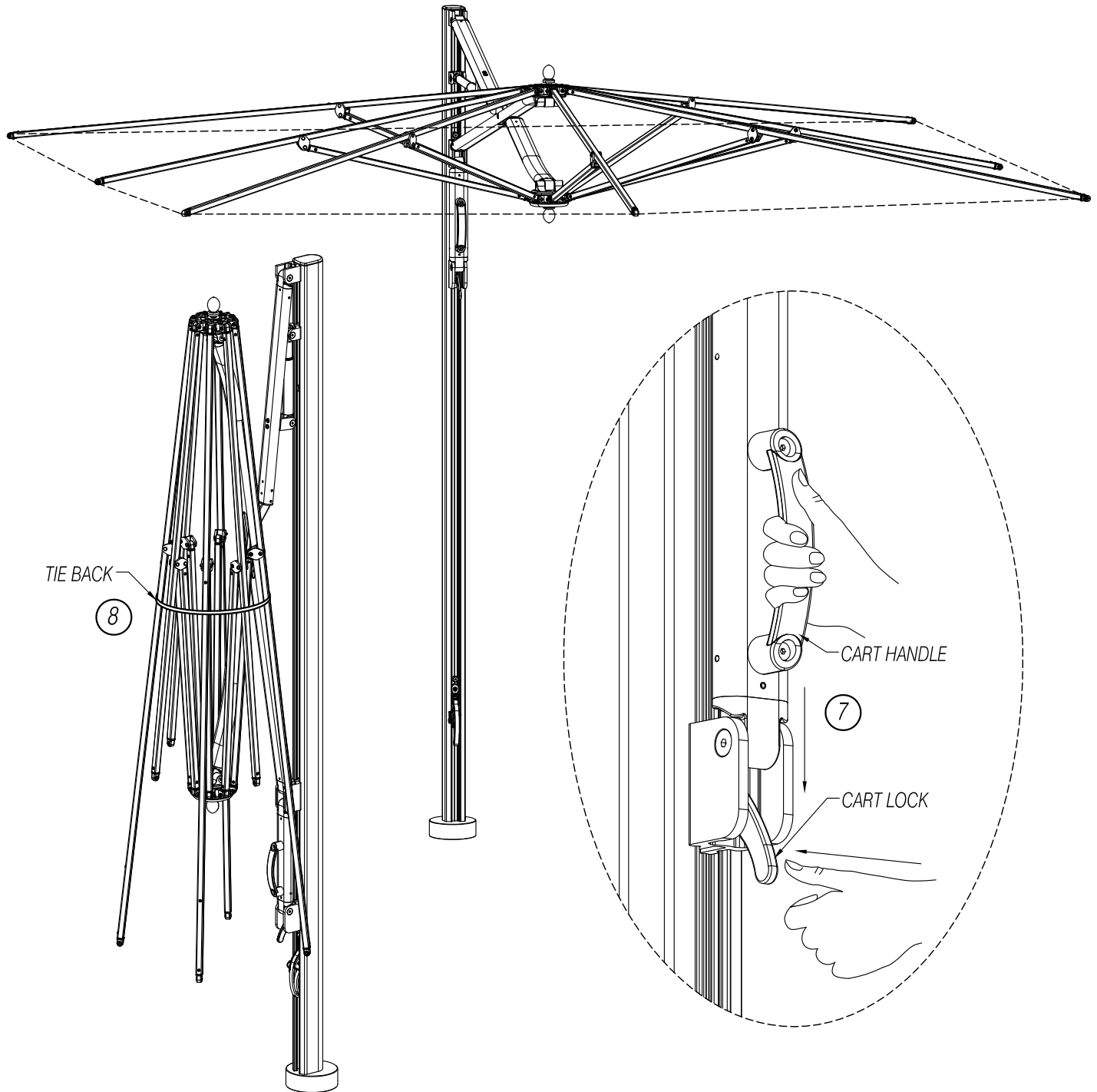
Version date: 04/01/2013 - REV: C - Page 2 of 3

**TUUCI**  
made in miami

# OPERATING INSTRUCTIONS

## BAY MASTER AND VINEYARD CANTILEVER PARASOL

- ⑦ Hold Cart Handle by hand then push down cart lock and slide Cart Handle down to close umbrella.  
Close umbrella during wind conditions that exceed manufacturer's specifications.
- ⑧ Close umbrella with tie back when not in use.



### global headquarters

2900 NW 35th Street  
Miami, FL 33142 USA

t 305.634.5116  
f 305.634.5119

info@tuuci.com  
www.tuuci.com

Version date: 04/01/2013 - REV: C - Page 3 of 3

**TUUCI**  
made in miami