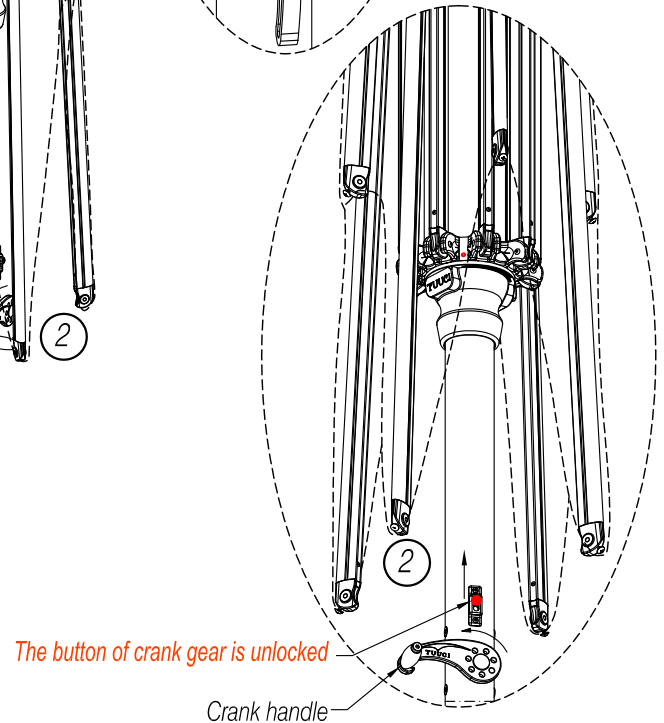
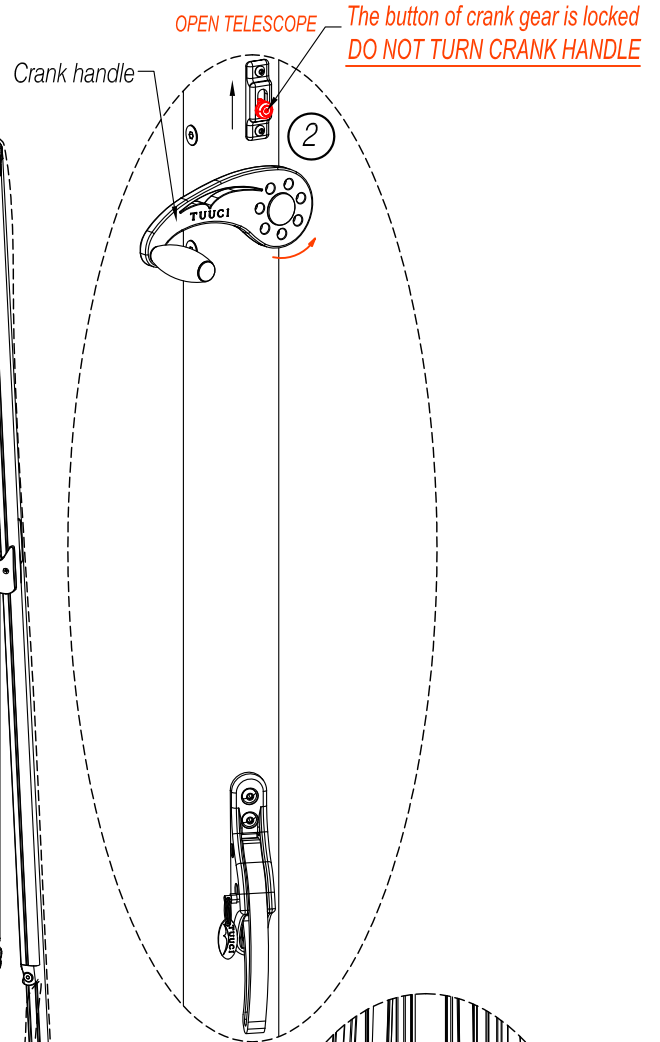
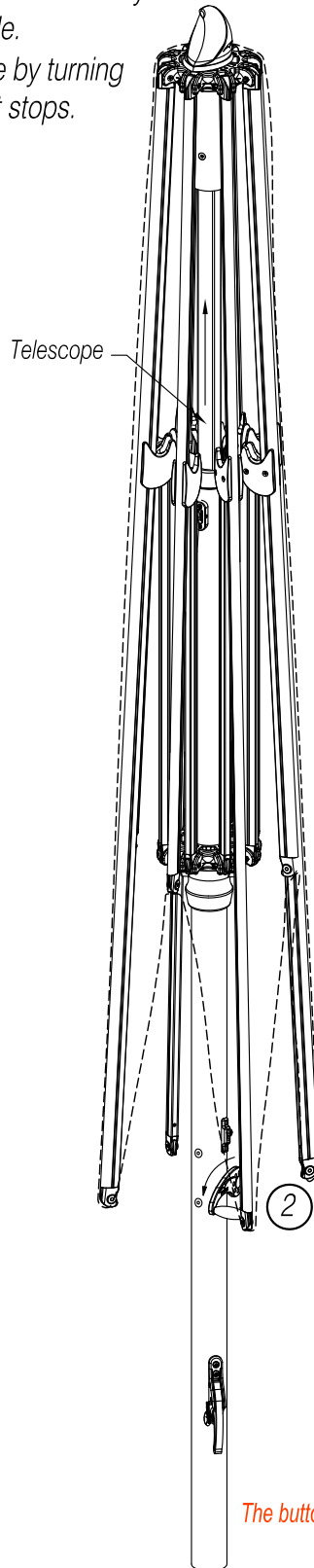
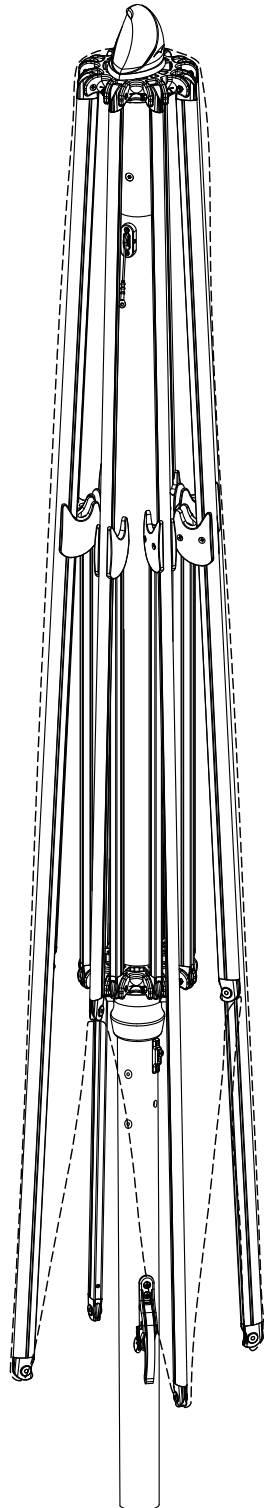


OPERATING INSTRUCTIONS

OCEAN MASTER MAX AND PLANTATION MAX UMBRELLA

- ① Remove all packaging from umbrella, including inside the umbrella.
- ② Make sure the button of the crank gear lock always slides up to unlock the gear box inside. Insert crank handle to open telescope by turning crank handle counterclockwise until it stops.



global headquarters

2900 NW 35th Street
Miami, FL 33142 USA

t 305.634.5116
f 305.634.5119

info@tuuci.com
www.tuuci.com

Version date: 04/01/2013 - REV: C - Page 1 of 3

TUUCI
made in miami

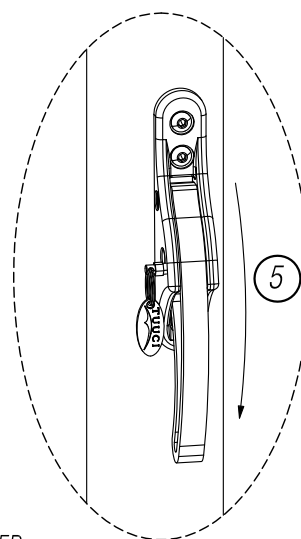
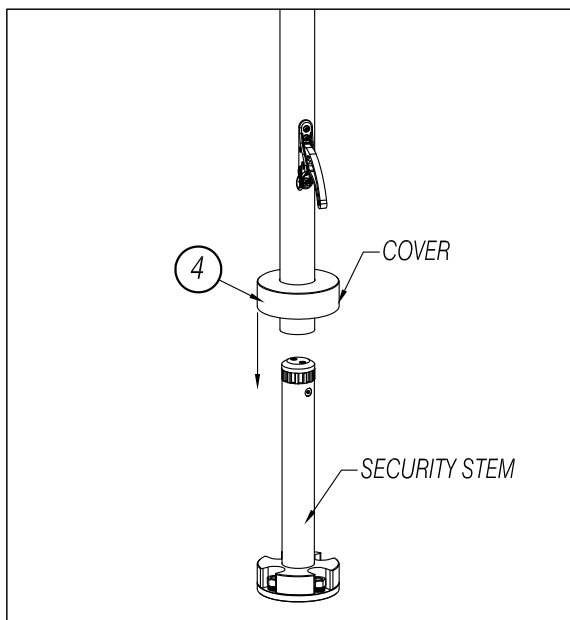
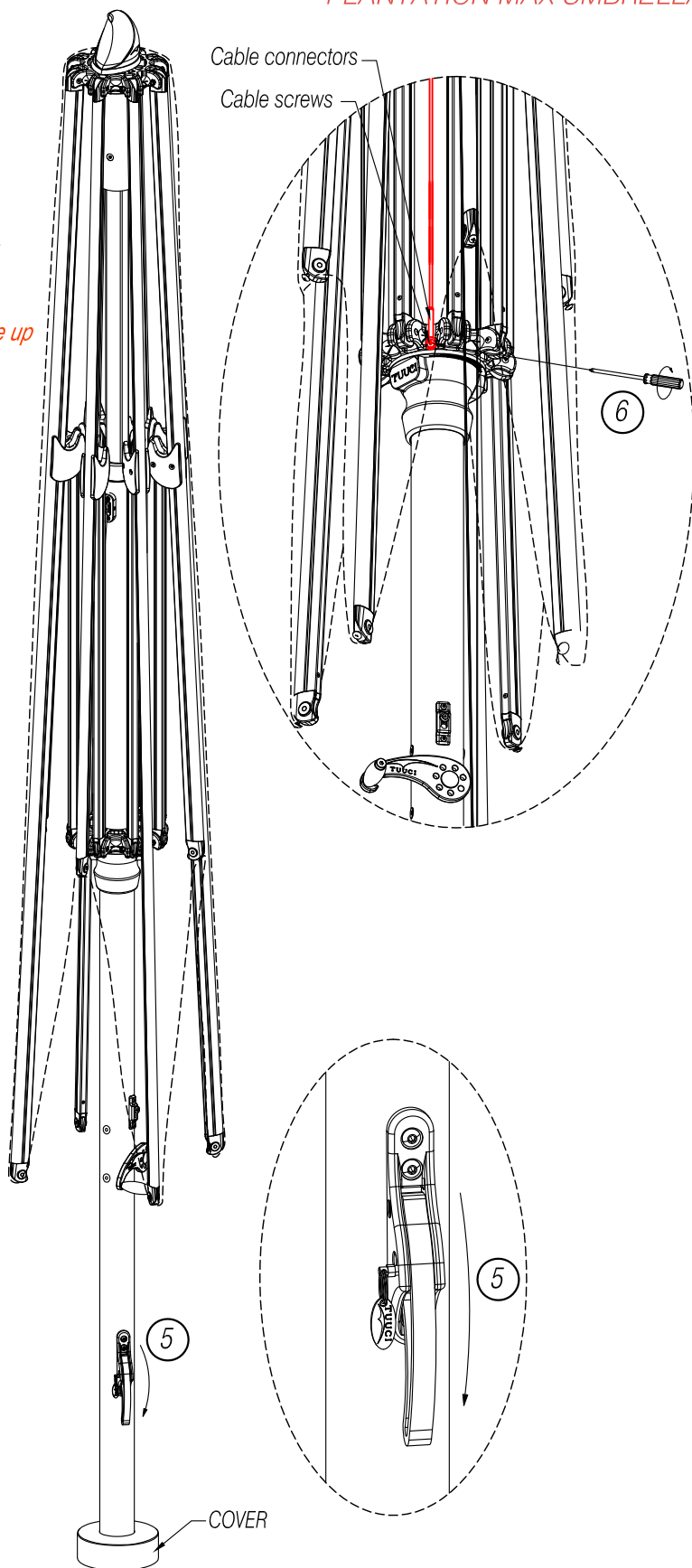
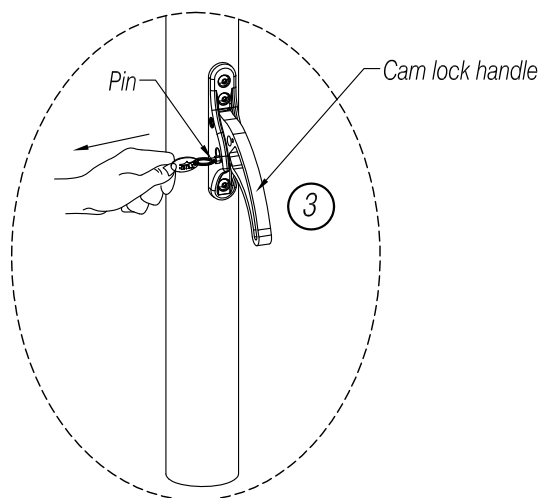
OPERATING INSTRUCTIONS

OCEAN MASTER MAX AND PLANTATION MAX UMBRELLA

- ③ Pull pin to unlock cam lock handle. Make sure cam lock handle is open per drawing shown.
- ④ Insert cover on to mast.
Place Umbrella in SECURITY STEM.
- ⑤ Push cam lock handle (per drawing shown) until engaged in the proper gear slot with the cam lock handle in the downward position.

** To rotate umbrella: Pull pin to unlock cam lock handle, pull handle up and turn umbrella to desired location. Lock cam lock handle down.*

- ⑥ Using a phillips screw driver, turn the cable screws counterclockwise. Then insert the cable connectors and turn the cable screws clockwise into the hub until fully tightened.



global headquarters

2900 NW 35th Street
Miami, FL 33142 USA

t 305.634.5116
f 305.634.5119

info@tuuci.com
www.tuuci.com

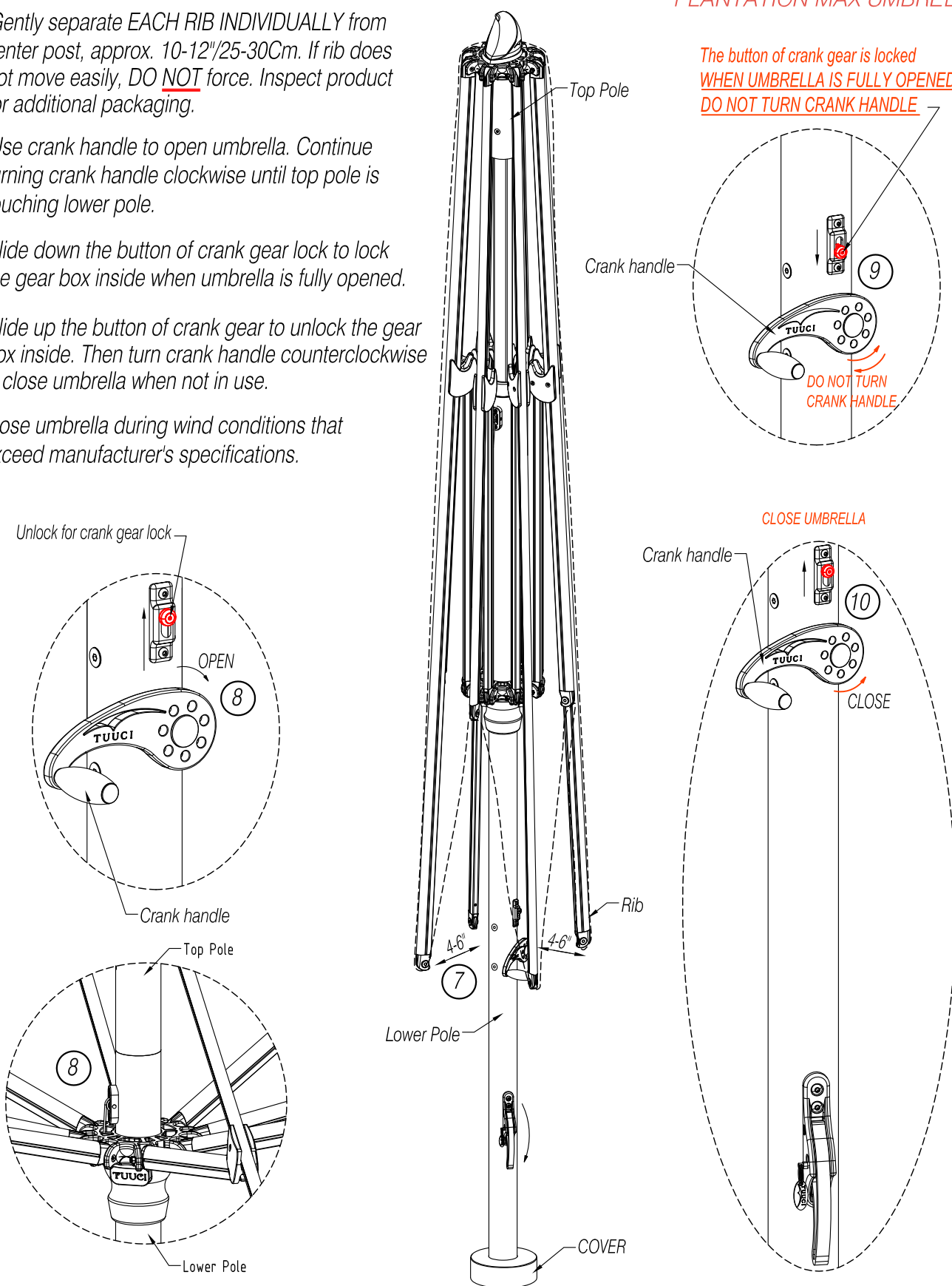
Version date: 04/01/2013 - REV: C - Page 2 of 3

TUUCI
made in miami

OPERATING INSTRUCTIONS

OCEAN MASTER MAX AND PLANTATION MAX UMBRELLA

- ⑦ Gently separate EACH RIB INDIVIDUALLY from center post, approx. 10-12"/25-30cm. If rib does not move easily, DO NOT force. Inspect product for additional packaging.
- ⑧ Use crank handle to open umbrella. Continue turning crank handle clockwise until top pole is touching lower pole.
- ⑨ Slide down the button of crank gear lock to lock the gear box inside when umbrella is fully opened.
- ⑩ Slide up the button of crank gear to unlock the gear box inside. Then turn crank handle counterclockwise to close umbrella when not in use.
- ⑪ Close umbrella during wind conditions that exceed manufacturer's specifications.



global headquarters

2900 NW 35th Street
Miami, FL 33142 USA

t 305.634.5116
f 305.634.5119

info@tuuci.com
www.tuuci.com

Version date: 04/01/2013 - REV: C - Page 3 of 3

TUUCI
made in miami